

AXN10

Manual Generated: 30/04/2024 - 11:17

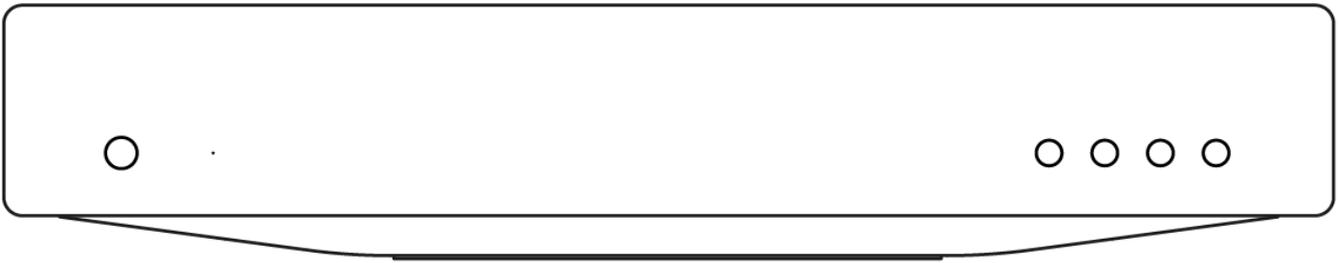


Table of Contents

AXN10	3
Introduction	3
What's included with the AXN10?	4
Front panel controls	5
LED descriptions	6
Rear panel connections	7
Getting connected	8
StreamMagic app - Setup	10
Google Home / Chromecast built-in	11
Internet radio	12
AirPlay	13
Built-in streaming services	14
Bluetooth	16
USB Media	17
Streaming Your Local Digital Music Collection	18
Settings	19
Technical Specifications	21
Troubleshooting	23
Frequently Asked Questions (FAQ)	24

AXN10

Last updated: April 29, 2024 02:12. Revision #12614



Users Manual

Introduction

Last updated: November 29, 2023 09:17. Revision #11481

This guide is designed to make installing and using this product as easy as possible. Information in this document has been carefully checked for accuracy at the time of publishing; however, Cambridge Audio's policy is one of continuous improvement, therefore design and specifications are subject to change without prior notice.

This document contains proprietary information protected by copyright. All rights are reserved. No part of this manual may be reproduced by any mechanical, electronic or other means, in any form, without prior written permission of the manufacturer. All trademarks and registered trademarks are the property of their respective owners.

The Bluetooth® word mark and logos are registered trademarks owned by the Bluetooth SIG, Inc. and any use of such marks by Audio Partnership Plc is under license. Other trademarks and trade names are those of their respective owners.

Qualcomm is a trademark of Qualcomm Incorporated, registered in the United States and other countries, used with permission.

aptX is a trademark of Qualcomm Technologies International, Ltd., registered in the United States and other countries, used with permission. Qualcomm aptX is a product of Qualcomm Technologies International, Ltd.

StreamMagic is a trademark of Audio Partnership Plc and is registered in the European Community and other countries.

This product contains software licensed under version 2 of the GNU Public License and version 2.1 of the GNU Lesser Public License. The source code for this software is available from: <http://gpl.stream-magic.com/>

This product includes technology owned by Microsoft Corporation and under a licence from Microsoft Licensing GP. Use or distribution of such technology outside of this product is prohibited without a license from Microsoft Corporation and/or Microsoft Licensing, GP as applicable.

The Spotify software is subject to third party licenses found here: www.spotify.com/connect/third-party-licenses.

This product support AirPlay 2 and requires iOS 11.4 or later.

Apple and AirPlay are trademarks of Apple Inc., registered in the U.S. and other countries.

Use of the Works with Apple badge means that an accessory has been designed to work specifically with the technology identified in the badge and has been certified by the developer to meet Apple performance standards.

Android, Google Play and the Chromecast built-in logo are trademarks of Google Inc.

TIDAL and TIDAL logo are registered trademark of Aspiro AB in the European Union and other countries.

MQA and the Sound Wave Device are registered trade marks of MQA Limited © 2016.

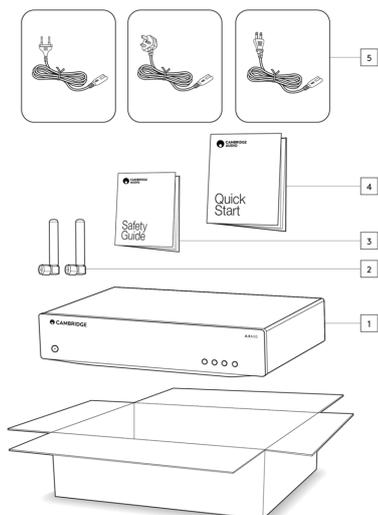
© Copyright Cambridge Audio Ltd

For upcoming news on future products, software updates and exclusive offers, make sure you register your product at <https://www.cambridgeaudio.com/register>

What's included with the AXN10?

Last updated: February 2, 2023 03:20. Revision #8924

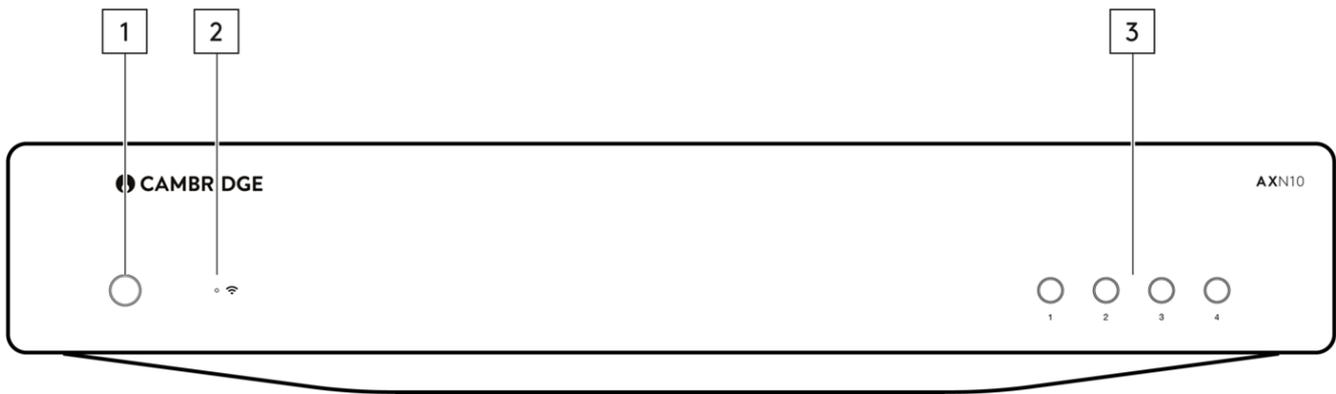
Inside the box of your AXN10 you will receive:



1. AXN10 player
2. WiFi/BT Antenna (x2)
3. Safety guide
4. Quick start guide
5. Regional mains lead

Front panel controls

Last updated: February 2, 2023 03:20. Revision #8974



1. Power button

Switches the unit between Standby Mode (indicated by dim power LED) and On (indicated by bright power LED). Standby Mode is a low power mode (0.5 Watts) - This can only be achieved when using Eco mode. The unit should be left in Standby Mode when not in use.

2. Network state LED

See [LED Descriptions](#) page for descriptions of the colours and flashing states

3. Preset buttons

Used to access and store presets, for more information on what can be stored as a preset please see the Presets section on the Home tab in the StreamMagic app.

If the currently playing media can be stored as a preset, long pressing the preset button will store the preset

LED descriptions

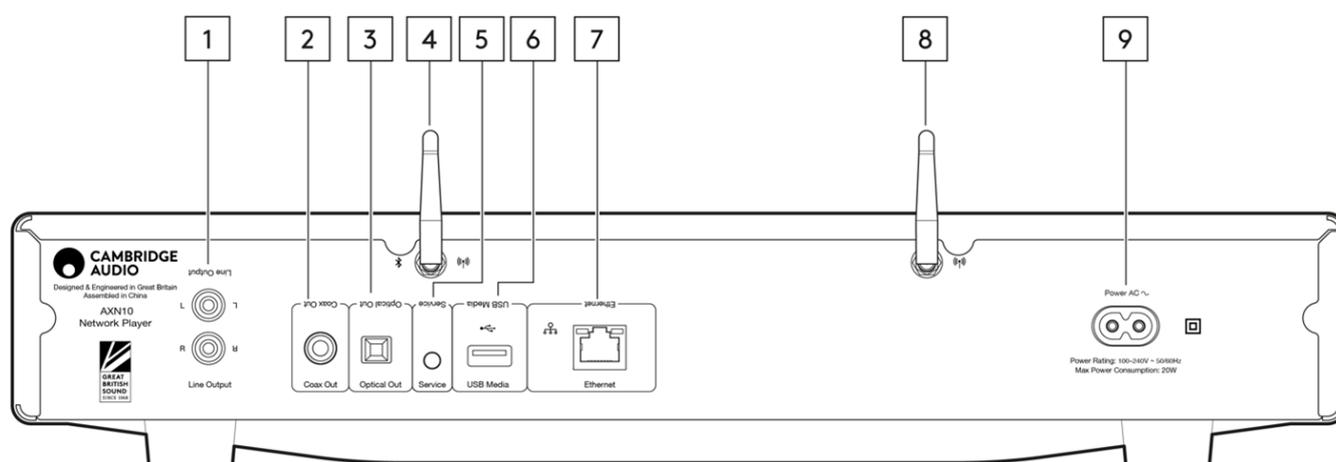
Last updated: January 31, 2023 03:17. Revision #8985

LED Colour

Mode	Colour
Booting White - Slowly flashing	
Connecting to network White - Quickly flashing	
Network connected White - On	
Network setup mode Teal - Slowly flashing	
Further setup required Teal - On	
Software updating White / Teal - Slowly flashing	
No internet connection Orange - On	
Resetting factory defaults Red - Quickly flashing	

Rear panel connections

Last updated: July 27, 2023 10:04. Revision #10127



1. Line output.

Analogue output used to provide a signal to an integrated amplifier, pre-amp or recording device.

2. S/P DIF coaxial digital output.

3. TOSLINK digital output.

4. WiFi and Bluetooth antenna

Ensure both antennas are connected securely before use.

5. Service port.

For servicing use only.

Connecting any other device here may result in damage.

6. USB Socket

Connection for a USB flash drives.

The USB port is not intended for connection to Apple mobile devices, no functionality, charging or otherwise, is supported.

7. Ethernet

Use to connect the AXN10 directly to a router.

8. WiFi antenna

9. AC Power Socket

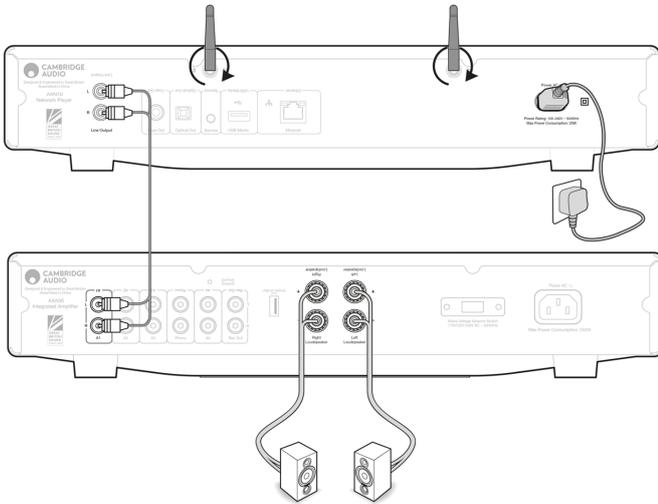
Once you have completed all connections to the amplifier, plug the AC power cable into an appropriate mains socket then switch on.

Getting connected

Last updated: March 5, 2024 02:57. Revision #11828

Basic connections

The diagram below shows the basic connection of your AXN10 to an AXA35.



Connecting to WiFi

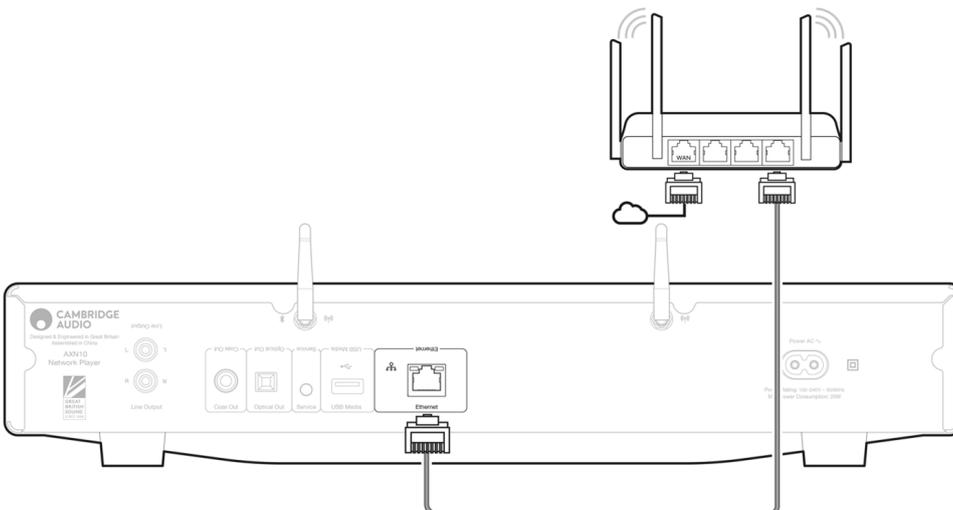
Important Note: It is vitally important that your AXN10 remains connected to an internet network as often as possible, either via Wi-Fi or Ethernet. This will ensure that the unit is regularly updated to meet essential security protocols, third party compatibility and the latest software requirements.

Failure to maintain your device with regular firmware updates as provided by Cambridge Audio will void the product warranty and is likely to cause major issues to the unit in time. Please ensure that your unit is updated to the most current firmware version. Information on the latest firmware version for the AXN10 can be found [here](#).

Note: The AXN10 is not compatible with captive portal networks. The AXN10 can connect to 2.4GHz/5GHz WiFi networks

Connecting to a wired network

1. Connect a network cable (Category 5/5E straight-through Ethernet cable) between the AXN10 and your router.
2. Your AXN10 will now automatically connect to the network.



Connecting to a wireless network

iOS:

1. Ensure that your AXN10 is in range of your wireless router, and then power on your unit.

2. Go to the Wi-Fi settings on your iOS device and under 'SETUP NEW AIRPLAY SPEAKER' select 'AXN10'.
3. Once connected, to complete unit setup download and install the [StreamMagic app](#) from the [Apple App](#) store.

Android:

1. Ensure that your AXN10 is in range of your wireless router, and then power on your unit.
2. Download and install the [StreamMagic app](#) from the [Google Play](#) store.
3. Open the StreamMagic app and select 'Connect'.
4. Under Choose a device select 'Set up a new device' and then select the AXN10.
5. Select 'Wireless Connection' and then 'Continue'.
6. Your Android device will now show all available Wi-Fi devices in range. Select 'Setup:AXN10'.
7. Once connected, you will be prompted to enter your Wi-Fi network password. Enter the password and select 'Continue'.
8. Your AXN10 will now connect to your Wi-Fi network, this may take up to a minute.
9. Once connected, complete the initial setup of your unit within the StreamMagic app.

StreamMagic app - Setup

Last updated: February 23, 2024 12:10. Revision #11740

Your player is network connected, not only can you listen to devices connected to the inputs on the product but you can also stream music from many different sources both on your home network and from the internet.

To set up your player, please first download the StreamMagic app from the Apple app store or Google Play store.



Set up

1. Switch on your player.
2. Open the StreamMagic app and follow the instructions provided to complete setting up your player on your network. This process will also apply any new updates that may be pending.

Note: During the set up process you will be asked to give your player a name, please make sure this is unique to your player. This will make it easier to find when using streaming and smart home services.

Once your player is connected to your home network you'll have full control of your sources, including internet radio, streaming services, network and USB drives and more.

For more information on our StreamMagic app, please visit: <https://www.cambridgeaudio.com/products/streammagic>

Google Home / Chromecast built-in

Last updated: January 18, 2024 02:13. Revision #11491

Your player is network connected, not only can you listen to devices connected to the inputs on the product but you can also stream music from many different sources both on your home network and from the internet.

Your player features Chromecast built-in and can be incorporated in to your Google Home. To set up your player, download the Google Home app on your smart phone or tablet.



With Chromecast built into your player, your phone becomes your remote. Simply tap the Cast button from apps you already know and love to stream music, podcasts and playlists from your phone, tablet or laptop to your player.

Chromecast built-in

Your phone is your remote

- Simply tap the Cast button from apps you already know and love. No new logins or downloads required.
- Use your phone to search, play, pause and turn up the volume from anywhere in the home.
- While you're streaming, you can keep using your phone for other things - scroll through social media, send a text, and even accept calls.
- Enjoy music throughout your house when you use multi-room casting with Chromecast-enabled speakers.
- Just say "Hey Google" to cast to your player

Unlimited entertainment, all on your schedule

- Works with hundreds of apps and new apps are being added all the time.
- Choose from millions of songs from popular music services like Pandora, Spotify, and Youtube Music.

Note: When first setting up your Player via the StreamMagic app or after a factory reset, please ensure that you accept Google's terms and conditions when prompted to enable Chromecast functionality.

Android, Google Play and the Chromecast built-in logo are trademarks of Google Inc.

Full Chromecast built-in features may not be available in some territories.

Internet radio

Last updated: February 26, 2024 07:47. Revision #11783

You can assign up to 99 of your favourite Internet Radio stations as presets on your player, which can then be recalled using the StreamMagic app. A limited amount of presets can be recalled via the remote control if your player includes one.

You can search and assign a preset via the StreamMagic app:

1. Within the StreamMagic app navigate to the **Radio** tab.
2. Use the **Search for Radio** search tab at the top of the page or enter a Custom URL link by selecting URL.
3. Once you have located the station you wish to store, select and you will be prompted with the option to **Play now** or **Add to presets**.
4. Add station to the desired preset for your player between 1-99.
5. You will then receive confirmation that the station is saved to the chosen preset.

Note: Please ensure that the custom URL stream is one of the following supported file types: ALAC, WAV, FLAC, AIFF, DSD (x256), WMA, MP3, AAC, HE AAC AAC+, OGG Vorbis.

To remove a preset (iOS):

1. Within the StreamMagic app navigate to the **Home** tab.
2. Scroll to the bottom of the page where you find your player's **Presets**, and select **EDIT**.
3. To remove a station from preset, tap the red circle icon and then press **Delete**.

To remove a preset (Android):

1. Within the StreamMagic app navigate to the **Home** tab.
2. Scroll to the bottom of the page where you find your players **Presets**, and select **EDIT**.
3. Tap on the station you wish to remove.

Note: You may also assign a preset using a remote control if your player includes one, by pressing and holding a number on the remote whilst a station is playing.

AirPlay

Last updated: February 26, 2024 07:48. Revision #11784

AirPlay is an Apple technology designed to control home audio systems and speakers in any room — with a tap or by just asking Siri — right from iPhone, iPad, HomePod, or Apple TV. Play a song in the living room and kitchen at the same time or adjust the volume in any room, all in sync.

After installing your player, add it to the Apple Home app with a few simple steps using your iPhone or iPad

How to use AirPlay from iPhone or iPad

1. Ensure your player is connected to your network.
2. Open the app that you want to AirPlay from.

3. Tap  or .

4. Select your player as your AirPlay device.

How to use AirPlay from Control Center

To switch the audio on your device from Control Center:

Swipe down from the top right side of the screen on your device to open Control Center.

Touch and hold  in the upper-right corner, then select your player.

This product supports AirPlay 2 and requires iOS 11.4 or later.

Apple and AirPlay are trademarks of Apple Inc., registered in the U.S. and other countries.

Use of the Works with Apple badge means that an accessory has been designed to work specifically with the technology identified in the badge and has been certified by the developer to meet Apple performance standards.

Built-in streaming services

Last updated: February 26, 2024 07:48. Revision #11785

Your player has the following built-in streaming services:

- Spotify Connect
- TIDAL
- Qobuz
- Deezer

Note: It is essential that the device you are streaming from (smartphone, tablet, computer, etc.) is on the same Wi-Fi network as your player, to ensure that the units can communicate with each other.

Spotify Connect

Use your phone, tablet or computer as a remote control for Spotify.

1. Open the Spotify app and choose the playlist, album, song, etc. that you wish to stream to player.
2. Select the devices icon within Spotify and select your Cambridge Audio network player from the list of 'Listening On' devices.
3. Spotify Connect should now be streaming your chosen content to the player.

Go to connect.spotify.com to learn more.

TIDAL (Connect)

1. Open the TIDAL app and choose the playlist, album, song, etc. that you wish to stream to your player.
2. Select the Sound Output devices icon within TIDAL and select your player from the list.
3. TIDAL Connect should now be streaming your chosen content to your player.

Go to tidal.com/connect to learn more

TIDAL (via StreamMagic)

1. Open the StreamMagic app and navigate to the Library tab, and then select TIDAL.

Note: Please ensure that you sign into your TIDAL account when prompted to do so. This will only be required on the first instance of use to link the account to the StreamMagic app.

2. Choose the playlist, album, song, etc. that you wish to stream to your player.
3. TIDAL should now be streaming your chosen content to your player.

Qobuz (via Chromecast)

1. Open the Qobuz app and choose the playlist, album, song, etc. that you wish to stream to your player.
2. Select the Qobuz Connect icon within Qobuz and select your player from the list.
3. Qobuz should now be casting your chosen content to your player.

Qobuz (via StreamMagic)

1. Open the StreamMagic app and navigate to the Library tab, and then select Qobuz.

Note: Please ensure that you sign into your Qobuz account when prompted to do so. This will only be required on the first instance of use to link the account to the StreamMagic app.

2. Choose the playlist, album, song, etc. that you wish to stream to your player.
3. Qobuz should now be streaming your chosen content to your player.

Deezer (via Chromecast)

1. Open the Deezer app and choose the playlist, album, song, etc. that you wish to stream to your player.
2. Select the speaker icon within Deezer, then select 'Google Cast'. Select your player from the list.
3. Deezer should now be casting your chosen content to your player.

Deezer (via StreamMagic)*

1. Open the StreamMagic app and navigate to the Library tab, and then select Deezer.

Note: Please ensure that you sign into your Deezer account when prompted to do so. This will only be required on the first instance of use to link the account to the StreamMagic app.

2. Choose the playlist, album, song, etc. that you wish to stream to your player.

3. Deezer should now be streaming your chosen content to your player.

*Deezer is only available within the StreamMagic app when running firmware version 129-b-004 or later and StreamMagic app version 2.9.0 or later.

Bluetooth

Last updated: October 26, 2023 12:56. Revision #11489

The Bluetooth source allows your player to receive wireless Bluetooth audio from most phones, tablets and laptops.

Pairing

To begin streaming high-quality music from your chosen media source it will first need to be paired with your player.

1. Within the StreamMagic App navigate to the Home tab.
2. Use the "Edit" option of the source to add the Bluetooth source.
3. Return to the Home tab and select the Bluetooth source.
4. Open your mobile device or laptop's Bluetooth settings.
5. Select your player from the list of available devices.
6. Your device should now connect to your player.

Once paired you should be able to connect to your player at any time by selecting the Bluetooth source on your player and then choosing your player from the list of previously connected devices.

Note:

Your Bluetooth device can only be connected to your player while the Bluetooth source is selected.

USB Media

Last updated: July 27, 2023 10:06. Revision #10131

You may connect a USB SSD, USB HDD or flash drive to your player via the USB Media inputs located on the rear of the unit for playback. Once connected the following formats are supported: ALAC, WAV, FLAC, AIFF, DSD (x512), WMA, MP3, AAC, HE AAC, AAC+, OGG Vorbis

Note: your player will read large capacity hard drives connected to their USB inputs. However, some larger capacity drives will require you to use their own power supply.

Your player only supports USB hard drives which are formatted to FAT32, exFAT and NTFS.

The primary function of your player is as a network music player. The USB ports are intended for convenient connection of USB thumb drives. As such, we cannot guarantee compatibility with all USB HDD's.

USB Media Playback (via StreamMagic app)

- 1.Connect USB SSD, HDD or flash drive to rear panel USB Input.
- 2.Navigate to the Library tab of the StreamMagic app.
- 3.Under USB Drives, locate your USB Media device and open.
- 4.Upon selecting a track you will have the option to 'PLAY FROM HERE', 'PLAY TRACK NOW', 'PLAY TRACK NEXT' or 'QUEUE TRACK'.

Streaming Your Local Digital Music Collection

Last updated: June 14, 2023 11:40. Revision #9512

Your player can play content from many different physical sources and this section will explain what you need to do to access and play your locally stored digital music collection. 'Locally Stored' means the digital music files you have on your PC, Mac or Network Attached Storage devices (NAS).

To stream local content, you will need the following hardware and software running in your network:

1. Your Cambridge Audio Network Player.
2. A mobile device such as a smartphone or tablet on which you can run the StreamMagic app.
3. A hard drive, computer or NAS containing your compatible digital music files.
4. An active UPnP music or media server.
5. A router which is configured to allow the UPnP service.

Note: The above items must be correctly connected and configured, and it is important to note that depending on the server, NAS, computer, etc. you're using this will differ from setup to setup. To help you with this we have created best practice guide which should get you up and running with minimal fuss and effort. This can be found [here](#).

Settings

Last updated: July 27, 2023 10:09. Revision #10132

Device Name

This is how your player will appear in your StreamMagic app and on your home network when using services like Spotify, Chromecast built-in and TIDAL Connect.

Giving your player a unique name makes it easier to distinguish when using streaming and smart home services.

AirPlay Name

This is how your player will appear when using AirPlay or the Apple Home app.

Standby Mode

This selects what type of standby mode your player will use.

Network Standby means your player will still be controllable by the StreamMagic app and other network services.

If Eco mode is chosen your player will use even less power in standby but will need to be switched on either by the front panel or the remote control.

Automatic Power Down

This sets how long your player will wait while inactive before switching in to standby.

Roon Ready DSD

This will allow you to choose how Roon provides DSD content.

Use DoP for digital output – If your device does support native DSD in DoP format.

Use PCM for digital output – If your device doesn't support native DSD.

Pre-Amp

With Pre-Amp mode enabled the volume of the device's line output can be controlled using the app.

Note: Pre-amp mode and volume control is only available with firmware version **132-b-007** or later.

Volume Limit

This sets the maximum volume that other streaming services like AirPlay 2, Spotify, TIDAL Connect and Chromecast built-in can set. The StreamMagic app volume controls can override this setting.

Early Update

Setting this to 'On' will let you try out the latest firmware ahead of general release.

For more information and to find out what's new visit our [FAQ](#).

Firmware

This will check for and apply any new firmware available for your player.

When left in network standby overnight your player will check and apply any new updates.

Factory Reset

This will return your player to its factory settings.

You can also do this manually by following the steps below:

1. Remove the mains power lead
2. Hold the standby button while re-applying the power lead
3. The LED will flash red while the factory reset process completes

4. The player will reboot

Note: Your network player must be connected to the internet to carry out firmware updates. It is recommended that you keep your network player connected to ensure optimal performance.

Technical Specifications

Last updated: June 16, 2023 12:20. Revision #9652

Inputs

Ethernet, USB host (mass storage), Wi-Fi, Bluetooth

Outputs

Line out (unbalanced), Digital out (Coax and Optical)

DAC

ESS Sabre ES9033Q

Frequency response

20Hz - 70kHz +/-1dB

THD+N 0dBFS, 1kHz, 20k BW

<0.001%

S/N Ratio (20k BW)

>110dB

RCA output level

2Vrms +/-10%

RCA output Impedance

500Ohm

Ethernet

IEEE 802.3 10 Base-T or 100 Base-T

Wi-Fi

Wi-Fi 5 dual band 2.4/5GHz
WPA2/WPA2-PSK

Bluetooth

5.0 A2DP/AVRCP supporting SBC and AAC

Compatibility

UPnP, Local USB media, Chromecast built-in, Spotify Connect, TIDAL, Qobuz, Deezer, RoonReady, Airplay2,

Audio formats

ALAC, WAV, FLAC, AIFF, DSD (x512), WMA, MP3, AAC, HE AAC, AAC+, OGG Vorbis, HLS/DASH, .m3u, .pls playlists

USB File system support

FAT32, NTFS, ext3/4, ExFAT

Hi-res support

Up to 768KHz 32bit PCM, up to DSD512

Digital Coax and Optical outputs support a maximum of 192kHz 32bit, up to DSD64

Mains Voltage

100-240V ~50/60Hz

Max Power consumption

20W

Standby power consumption

<0.5W

Dimensions (H x W x D)

75 x 430 x 305mm

Weight

3.5kg

Troubleshooting

Last updated: March 8, 2023 05:29. Revision #9078

If you have trouble connecting the AXN10 to your network, these steps may help to resolve the problem:

- Ensure that both of the supplied Wi-Fi antennas are securely connected.
- Confirm that a connected computer can access the Internet (i.e. can browse the web) using the same network.
- If you have an encrypted Wi-Fi network, check that you have entered the correct key or passphrase. Remember that text-format keys are case-sensitive.

If your AXN10 can connect to the network successfully but is unable to play particular Internet Radio stations, it may be due to one of the following causes:

- The station is not broadcasting at this time of the day (remember it may be located in a different time zone).
- The station has reached the maximum allowed number of simultaneous listeners.
- The station is not broadcasting anymore.
- The Internet connection between the server (often located in a different country) and you is too slow.

If you have trouble connecting the StreamMagic app to the AXN10, these steps may help to resolve the problem:

- Ensure that both of the supplied Wi-Fi antennas are securely connected.
- Ensure that your mobile device and the AXN10 are connected to the same network.
- Ensure that you have allowed the StreamMagic app to have access to devices on your network, via your mobile devices' app settings.
- Check whether any VPN or Anti-Virus app downloaded on to your mobile device may be preventing the StreamMagic app from 'seeing' the AXN10.

If you have problems with UPnP playback check the following:

- Ensure your chosen UPnP server software is capable of serving the file type you are trying to access. Some servers do not serve FLAC for instance.
- The AXN10 can only play non DRM files. Files that have DRM controls cannot be played by the AXN10. Some servers may be able to authorise and de-crypt Microsoft PlaysForSure before then serving the content to the AXN10, but this operation is not guaranteed as it is purely a function of the server.
- If attempting to play 24-bit WAV or FLAC content a wired Ethernet connection is normally required for reliable operation due to bandwidth considerations.
- Check that the AXN10 is capable of playing back the file type you are trying to access.

If you have problems with USB Media playback check the following:

- Check that the AXN10 is capable of playing back the file type you are trying to access.
- For USB Media, the AXN10 can only play non DRM files. Files that have DRM controls cannot be played.
- Check that your device does not require more than 1A if it is powered from the USB socket itself.
- Check your device format is supported by the AXN10.
- The way you organise your USB media affects how efficiently the AXN10 can browse the content. A good practice is to create folders for Artists within which you should have subfolders for each Album which then contain the tracks for that Album. Libraries with thousands of tracks in one folder will progressively slow down the AXN10's media browsing.

There is no power:

- Ensure the AC power cord is connected securely.
- Ensure the plug is fully inserted into the wall socket and is switched on.
- Check fuse in the mains plug or adaptor.

Frequently Asked Questions (FAQ)

Last updated: November 8, 2023 03:42. Revision #11138

Does the AXN10 have pre-amp or volume control?

Yes, it is possible to control the volume of your AXN when connected via the analogue outputs. Pre-amp mode and volume control is not possible when connected via the digital outputs.

When connected via the analogue outputs and with Pre-amp mode enabled in the StreamMagic app device settings, you can control the volume of your AXN via the app.

Note: Pre-amp mode and volume control is only available with firmware version **132-b-007** or later.

Does the AXN10 have a remote control?

The AXN10 does not have a remote control. The unit can be controlled and the settings can be adjusted via the StreamMagic app.

Can the AXN10 support MQA content?

Although the AXN10 can receive MQA encoded content, it is not possible for the device to playback full MQA files via TIDAL Connect, because the AXN10 does not have an MQA decoder built in to unfold the MQA files.

There are no plans to integrate MQA support into the AXN10, as this would require a hardware modification to install a Full MQA Decoder.

How do I set up my AXN10 with a DacMagic 200M for MQA passthrough?

Although the AXN10 can receive MQA encoded content, it is not possible for the device to playback full MQA files via TIDAL Connect, because the AXN10 does not have an MQA decoder built in to unfold the MQA files.

It is, however, possible to bypass the DAC in the AXN10, and have the MQA file processed by an external DAC that supports MQA, such as the [DacMagic 200M](#). This will allow the full unfold of the MQA file to take place in the DacMagic 200M, and you will still be able to control and queue your MQA files via the AXN10.

Please follow the below instructions on how to set this up:

1. Connect either of the Digital Outputs (SP/DIF Coaxial or Toslink Optical) of the AXN10 to the corresponding DacMagic 200M Digital Input (D1 or D2).
2. Connect the Balanced or Unbalanced Output of DacMagic 200M to your amplifier.
3. Select the relevant D1/D2 Input on your DacMagic 200M.
4. Open the TIDAL app 'Settings' on your smartphone or tablet, and confirm that the streaming quality is set to 'Master'.
5. Select the AXN10 within the TIDAL Connect menu as your output device.
6. Processing of the MQA files will now be passed through to the DacMagic 200M, and MQA playback should be indicated on the DacMagic 200M by the relevant LED light.

Can I use more than one of the AXN10's outputs at once?

If you wish to connect the AXN10 to one single device, you can use any output, digital or analogue, that you wish.

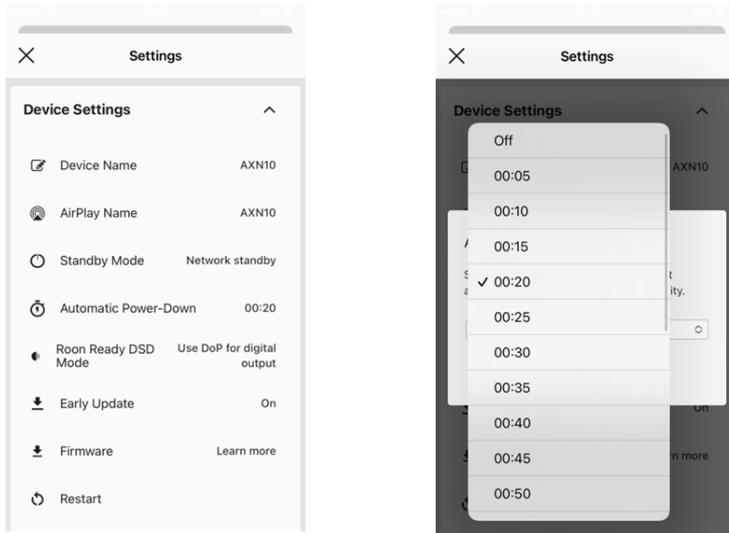
If, however, you would like to connect the AXN10 to more than one device at a time, you can connect up to three devices and play simultaneously, as all outputs remain active at all times.

Please note that you will need to enable Pre-Amp mode in the app, if you wish to control the volume via the AXN10.

How do I stop the AXN10 from powering down when not in use?

The AXN10 will automatically switch to standby mode after 20 minutes of inactivity. This Automatic Power-Down (APD) feature can be disabled, by navigating to the device settings within the StreamMagic app.

You can either disable this feature, or edit the length of time it takes for APD to be triggered, by selecting 'Automatic Power-Down'.



What USB HDs will the AXN10 support?

The primary function of the AXN10 is as a network music player and the USB port is intended for convenient connection of USB HDDs and SSDs. As such, we can not guarantee compatibility with all USB HDDs and SSDs.

The AXN10 will read large capacity hard drives connected to the USB Media input. Some larger capacity drives, however, may require their own power supply, as the player's USB port may not provide enough power for the drive to function.

The AXN10 will support USB hard drives which are formatted to FAT32, exFAT and NTFS.

Can I play files from a connected USB HD when the AXN10 is not connected to a network?

This is not possible as the use of the StreamMagic app is required to be able to play local files from a connected USB HD.

Please note that it is strongly recommended that the AXN10 is connected to a network at all times.

What is the Service port on the back of the AXN10 for?

The service port on the back of the AXN10 is intended for servicing use only by Cambridge Audio authorised service centres and dealers.

Please do not connect any devices to the service port, as this may result in damage to the unit.

Do I need to connect both Antennas for the AXN10 to work?

Yes, if you are connecting your AXN10 to your network wirelessly, you will need to connect both of the supplied antennas to enable full Wi-Fi functionality and the strongest possible wireless network connection.

Bluetooth functionality will also only be possible when one of the antennas is connected to the port with the Bluetooth symbol.