



# M 20 HD WIRELESS SYSTEM

## OWNER'S MANUAL

ENGLISH EN

DEUTSCH DE

ESPAÑOL ES

FRANÇAIS FR

ITALIANO IT

NEDERLANDS NL

PORTUGUESE PT

SVENSKA SE

POLSKIE PL

РУССКИЙ RU

簡

繁



# M20 HD WIRELESS SYSTEM

## OWNER'S MANUAL

### **EC DECLARATION OF CONFORMITY**

M20 conforms with the following EEC Directives, their supporting Statutory Instruments and relevant Standards, where applicable as follows:

EC Council Directive on electromagnetic compatibility 2004/108/EC

Applicable standards with amendments: EN55032, EN55035

EC Low Voltage Directive 2006/95/EEC

Applicable standard with amendments: EN62368

EU Wireless: EN300328, EN301489, IEC62321

Stage 1 of annex II of Commission regulation (ErP) EC no. 1275/2008



The Bluetooth word mark and logos are registered trademarks owned by Bluetooth SIG, Inc. and any use of such marks by Armour Home Electronics Ltd. is under license. The aptX® mark and the aptX logo are trade marks of CSR plc or one of its group companies and may be registered in one or more jurisdictions. Other trademarks and trade names are those of their respective owners.

|  |    |
|--|----|
| Safety Information .....                                 | 1  |
| Important information - please read carefully.....       | 1  |
| Correct disposal of this product .....                   | 1  |
| Service.....   | 2  |
| Important notice for UK users.....                       | 2  |
| Notes .....  | 2  |
| FCC Statement (For US Customers) .....                   | 2  |
| Industry Canada Statement (for Canadian Customers) ..... | 2  |
| Introduction .....                                       | 3  |
| Package contents .....                                   | 3  |
| Feature summary .....                                    | 4  |
| Wired connectivity.....                                  | 4  |
| Wireless connectivity .....                              | 4  |
| Acoustic.....  | 4  |
| Remote batteries.....                                    | 4  |
| Key .....  | 5  |
| Speaker rear connections and controls .....              | 5  |
| Speaker controls.....                                    | 6  |
| Remote control.....                                      | 6  |
| Operation .....  | 7  |
| Connecting between the speakers.....                     | 7  |
| Speaker positioning and assembly .....                   | 7  |
| Adjusting the EQ switch.....                             | 7  |
| Auto standby .....                                       | 7  |
| Playing audio using Bluetooth.....                       | 8  |
| Clearing the Bluetooth pairing list .....                | 8  |
| Playing audio using optical digital .....                | 8  |
| Playing audio using analogue .....                       | 8  |
| Playing audio using USB.....                             | 8  |
| LED states .....   | 9  |
| Specification.....                                       | 9  |
| Amplifier performance.....                               | 9  |
| Speakers .....   | 9  |
| Power .....  | 9  |
| Bluetooth®.....  | 9  |
| Dimensions .....   | 9  |
| Weight .....   | 9  |
| Accessories.....   | 10 |
| Warranty.....  | 10 |
| Contact .....  | 10 |
| Head office.....   | 10 |
| Knowledge base .....                                     | 10 |
| Service information .....                                | 10 |

# Safety Information

## Important information - please read carefully



This symbol indicates that there are important operating and maintenance instructions in the literature accompanying this unit.



This symbol indicates that dangerous voltage constituting a risk of electric shock is present within this unit.



This equipment is a Class II or double insulated electrical appliance. It has been designed in such a way that it does not require a safety connection to electrical earth.

Read and keep these instructions.

Heed all warnings and follow all instructions.

Do not use this apparatus near water.

Clean only with a dry soft cloth.

Do not block any ventilation openings.

Install in accordance with the manufacturer's instructions.

Do not install near any heat sources such as radiators, heat registers, stoves, or other apparatus (including amplifiers) that produce heat.

Protect the mains power cord from being walked on or pinched, particularly at plugs, convenience receptacles, and the point where they exit from the apparatus.

Use only attachments/accessories specified by the manufacturer.

Use only with the cart, stand, tripod, bracket, or table specified by the manufacturer, or sold with the apparatus. When a cart is used, use caution when moving the cart/apparatus combination to avoid injury from tip-over.

Unplug this unit during lightning storms or when unused for long periods of time.

Do not defeat the safety purpose of the polarized or grounding type plug. A polarized plug has two blades with one wider than the other. A grounding type plug has two blades and a third grounding prong. The wider blade or the third prong are provided for your safety. If the provided plug does not fit into your outlet, consult an electrician for replacement of the obsolete outlet.

No naked flame sources such as candles should be placed on the product.

Batteries (a battery pack or installed batteries) shall not be subject to excessive heat such as sunshine, fire or the like.

Take note of all warnings on the appliance, under no circumstances disassemble the unit or remove covers to prevent the risk of fire or electrical shock.

The mains operating voltage of this unit is marked on a rating plate on the back of the unit. Before connecting to mains power, check that the voltage is the same as your mains supply.

Caution: Changes or modifications not expressly approved by the manufacturer could void the user's authority to operate this device.

Caution: Usage of controls or adjustments or performance of procedures other than those specified herein may result in hazardous exposure.

Warning: The AC Input connector is used as a safety disconnect device. It must be easily accessible after installation.

Warning: To reduce the risk of fire or electrical shock, do not expose this product to rain or moisture. The product must not be exposed to dripping and splashing and no object filled with liquids such as a vase of flowers should be placed on the product.

To avoid the danger of suffocation, keep all polythene bags and packaging away from babies and children.

Third parties: In the unlikely event that you pass this product on to a third party, include these operating instructions with the product.

### Correct disposal of this product



This marking indicates that this product should not be disposed of with other household wastes throughout the EU. To prevent possible harm to the environment or human health from uncontrolled waste disposal, recycle it responsibly to promote the sustainable reuse of material resources. To return your used device, please use the return and collection systems or contact the retailer where the product was purchased. They can take this product for environmentally safe recycling.

## Safety Information

### Service

Refer all servicing to qualified service personnel. Servicing is required when the unit has been damaged in any way, such as the power supply cord or plug is damaged, liquid has been spilled on or objects have fallen into the unit, the apparatus has been exposed to rain or moisture, it does not operate normally or it has been dropped.

Equipment for servicing should be returned to the supplying dealer, or to the service agent for your area.

### Important notice for UK users

The UK mains lead is terminated with a UK approved mains plug fitted with a 3A fuse. If the fuse needs to be replaced, an ASTA or BSI approved BS1362 fuse rated at 3A must be used.

EN

## Notes

### FCC Statement (For US Customers)

This device complies with Part 15 of the FCC Rules. Operation is subject to the following two conditions: (1) this device may not cause harmful interference, and (2) this device must accept any interference received, including interference that may cause undesired operation.

This equipment has been tested and found to comply with the limits for a Class B digital device, pursuant to part 15 of the FCC Rules. These limits are designed to provide reasonable protection against harmful interference in a residential installation. This equipment generates, uses and can radiate radio frequency energy and if not installed and used in accordance with the instruction manual, may cause harmful interference to radio communications. However, there is no guarantee that interference will not occur in a particular installation. If this equipment does cause harmful interference to radio or television reception, which can be determined by turning the equipment off and on, the user is encouraged to try to correct the interference by one or more of the following measures:

- Reorient or relocate the receiving antenna.
- Increase the separation between equipment and receiver.
- Connect the equipment into an outlet on a circuit different from that to which the receiver is connected.
- Consult the dealer or an experienced radio/TV technician for help.

**CAUTION!** Any changes or modifications made to this device that are not expressly approved by the manufacturer may void the user's authority to operate the equipment.

This equipment complies with FCC radiation exposure limits set forth for an uncontrolled environment. This equipment should be installed and operated with minimum distance 20cm between the radiator & your body.

### Industry Canada Statement (for Canadian Customers)

CAN ICES-3 (B)/NMB-3(B)

The device meets the exemption from the routine evaluation limits set out in section 2.5 of RSS 102 and is in full compliance with RSS-102 RF. Users can obtain information on RF exposure and compliance from Industry Canada.

This device complies with Industry Canada licence-exempt RSS standard(s). Operation is subject to the following two conditions:

1. This device may not cause harmful interference, and
2. This device must accept any interference received, including interference that may cause undesired operation.

## Introduction

Thank you for purchasing the Q Acoustics M20 HD Wireless Music System.

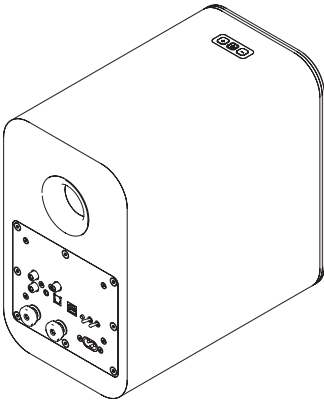
This manual is intended to take you through setup and installation and will help provide optimum performance from the product.

Please read the instructions, important safety information and warnings carefully before installation and use, to ensure the safe and satisfactory operation of this product.

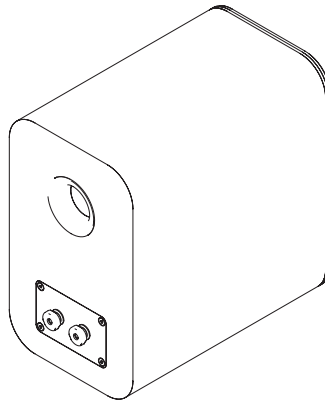
The Q M20 system combines exceptional stereo sound performance with convenient connectivity and integrated amplification.

EN

## Package contents



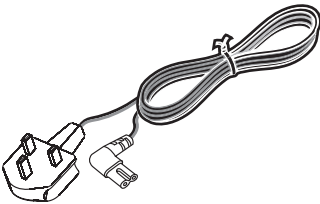
1 x Amplified speaker



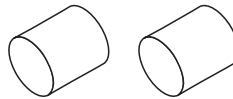
1 x Passive speaker



1 x Remote



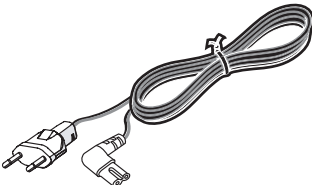
1 x UK power cable\*



2 x Foam bungs



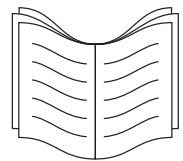
2 x Remote batteries



1 x EU power cable\*



1 x 4m speaker cable



1 x Owner's Manual

\*Power cable(s) supplied may vary depending on market version.

## Feature summary

### Wired connectivity

- Analogue audio input – Stereo phono sockets or 3.5mm stereo jack allow a connection to an external analogue audio source such as a CD player
- Optical digital input - Allows connection to an external digital audio source such as a TV
- Speaker output – Stereo 4mm sockets, allowing connection from the amplified speaker to the passive speaker
- USB – A USB type B socket, allowing connection to a computer device
- Sub Out – A Phono subwoofer output for connection to an external subwoofer.

### Wireless connectivity

- Bluetooth® HD – An international wireless connection used for streaming audio from all compatible devices.
- AVRCP – A Bluetooth control protocol that synchronises your device control of Volume and Mute for easy integration of our Q Acoustics speaker.

### Acoustic

Left / Right position switch - Enables the amplified speaker to be placed as the left or right speaker of the pair, whichever is closest to a mains outlet.

EQ switch – User control of EQ setting for best acoustic performance. This can be changed dependent upon speaker position, mounting, or user preference.

## Remote batteries

### Fitting or replacing batteries

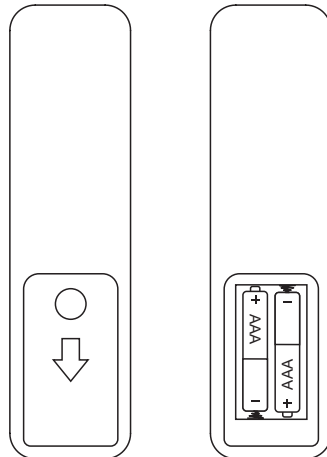
- Slide the battery cover off the remote control in the direction shown.
- Lift the cover off the remote control.
- Remove the expired batteries (if necessary).
- Fit new batteries observing polarity as shown.

When replacing the batteries, use only the same AAA type.

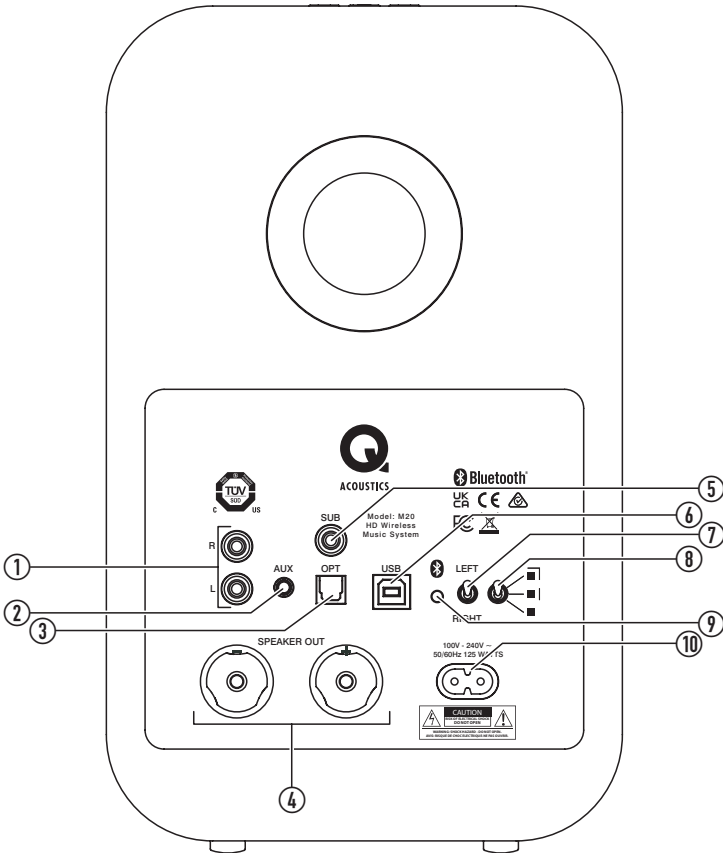
Alkaline batteries are recommended. Other types of battery may leak and cause damage.

### Battery disposal

Dispose of used batteries with regard to the recycling regulations in your area. Do NOT short circuit batteries or throw them into water, the general rubbish or in a fire.



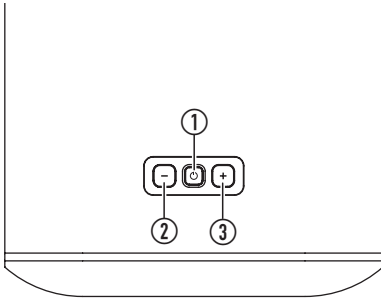
## Speaker rear connections and controls



- |  |   |
|--|---|
| <p><b>1. Analogue phono</b><br/><i>Connect analogue audio source</i></p> <p><b>2. Analogue 3.5mm jack</b><br/><i>Connect analogue audio source (disables phono sockets)</i></p> <p><b>3. Optical Toslink</b><br/><i>Connect digital optical audio source</i></p> <p><b>4. Speaker out</b><br/><i>Connect passive speaker</i></p> <p><b>5. Sub</b><br/><i>Connect optional external subwoofer</i></p> | <p><b>6. USB</b><br/><i>Connect computer audio source</i></p> <p><b>7. Speaker position</b><br/><i>Select left or right position in the room from the listening position</i></p> <p><b>8. EQ switch</b><br/><i>Adjusts the bass response of the speaker</i></p> <p><b>9. Bluetooth</b><br/><i>Press to enter BT pairing mode</i></p> <p><b>10. AC Power</b><br/><i>Connect to mains power 100v – 240v</i></p> |
|--|---|



## Speaker controls



### 1. Standby / Source

Press to switch on, long press to set to standby

Press to change source

Very long press when in standby will enter deep standby

### 2. —

Press to decrease volume by a single step

Press and hold to decrease volume continuously

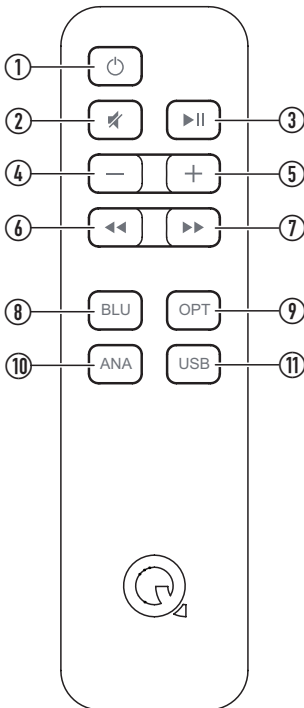
### 3. +

Press to increase volume by a single step

Press and hold to increase volume continuously

NOTE: Press — and + together to set volume to 20%.

## Remote control



### 1.

Puts system into standby, turns on to optical input

### 2.

Mutes / unmutes the speakers

### 3.

Pauses / plays the audio only on Bluetooth input

### 4. —

Short press decreases the volume by one step

Press and hold will continuously decrease the volume

### 5. +

Short press increases the volume by one step

Press and hold will continuously increase the volume

### 6.

Skips a track back only on Bluetooth input

### 7.

Skips a track forward only on Bluetooth input

### 8. BLU

Selects Bluetooth input, sets system into pairing mode with long press

### 9. OPT

Selects optical input

### 10. ANA

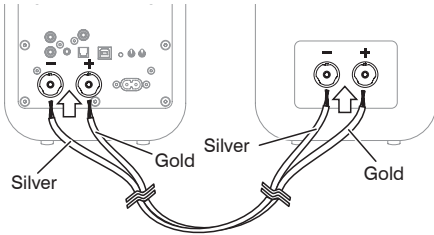
Selects analogue input

### 11. USB

Selects USB input

## Connecting between the speakers

Firstly, connect the supplied speaker cable between the two speakers. The wires are coloured differently to identify + and - polarity. Ensure you always use the gold wire for + and silver wire for - at both ends.



## Speaker positioning and assembly

Simply place the speakers either side of the main listening position on an appropriate flat surface, ideally about 2.0 – 4.0m (2-4 yards) apart.

Alternatively you can use Q M20 with the Q 3000FSi floor stand or Q 3000WB wall bracket (available separately), follow the instructions supplied with these.

- The amplified speaker can be placed in either the right or left position, simply set the left/right switch correctly. The switch sets left or right channel for the amplified speaker.

## Adjusting the EQ switch

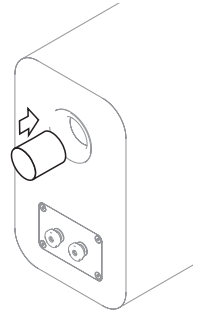
- You can adjust the bass response of the speakers to suit your desired bass level which is affected by the speaker position in relation to a wall, shelf, or corner. Try listening to your M20 speakers in each of the three positions, selecting the one that you are most happy with.
  - This position will give the most bass output and is suited if the speakers are placed away from walls or corners.
  - | This position will give a mid-point in bass output and is suited if the speakers are placed close to a wall or on a shelf.
  - | This position will give the least level of bass output and is suited if the speakers are placed in corners of the room.

## Optional subwoofer

A subwoofer may be connected to the SUB outlet as an option. The subwoofer should include level and crossover controls. With the subwoofer connected, play some music with good bass content and adjust the subwoofer controls for the sound you prefer.

## Port damping

The Q M20 speakers are rear ported and designed to work best with some space behind them i.e. 200mm or so away from a wall. If you position your speakers close to a wall / corner then the foam bungs should be inserted into the rear ports or there could be too much bass.






- Ensure the bungs are fitted snugly into the port without inserting them too far.

*You will find the level of bass is reduced but definition and bass extension is increased.*

*Experiment to see what you prefer and try making small changes to the position of the speaker to optimise the final result.*

## Powering on

- Connect the power cable to the amplified speaker and plug into a mains outlet.  
*Once powered up the standby LED will be on red.*
- To switch the system on, press  on the remote or the control panel.
- To set the system to standby, press  on the remote or long press  on the control panel.

## Auto standby

The Q M20 system includes an energy saving auto standby feature. If no music has played for twenty minutes the system will automatically set to Standby.

## Playing audio using Bluetooth

You can use many Bluetooth devices to play audio through the Q M20 system. Firstly you will have to pair your Bluetooth device with the speaker using the following instructions.

1. Press and hold the Bluetooth input button on the remote control until the blue LED flashes on the speaker. Alternatively, press the Bluetooth button on the back of the amplified speaker, the LED will flash blue.
2. Select the Bluetooth settings on your device, and look for Q M20 HD in devices.
3. Select the Q M20 HD device in the new Bluetooth device list.

*Once connected, the LED will stop flashing and remain on blue.*

4. You can now play audio from your device.

Once you have paired a device, you can simply connect to the Q M20 next time which will turn on and select the Bluetooth input.

When playing audio, you can use the device, the remote control or the buttons on the amplified speaker to alter the volume. You can also use the remote control to play, pause and skip tracks.

## Clearing the Bluetooth pairing list


You can clear all the devices from the Bluetooth pairing list memory if required by using the following steps:

1. Put the speakers into Bluetooth pairing mode with a long press of the BLU source button on the remote control, the LED will be flashing Blue.
2. Press and hold the BLU source button on the remote control again, until the LED goes out and then flashes three times.

*The Bluetooth pairing list is now cleared from the memory and devices must pair again in order to connect.*


## Playing audio using optical digital

Use a standard TOSLINK optical cable to connect your digital audio source to the amplified Q M20 speaker.

- Press the OPT button on the remote control or press the  button on the speaker until the LED is on white.

You can use the remote control or the buttons on the amplified speaker to alter the volume.


## Playing audio using analogue

- Use the phono sockets or the 3.5mm stereo jack socket to connect your analogue audio source. Press the ANA button on the remote control or press the  button on the speaker until the LED is on green.

You can use the remote control or the buttons on the amplified speaker to alter the volume.

## Playing audio using USB

Connect a USB A-B type cable from your computer device to the Q M20 amplified speaker.

- Press the USB button on the remote control or press the  button on the speaker until the LED is on yellow.

You will then need to download the correct USB driver from the Q Acoustics website here:

[support.qacoustics.co.uk](http://support.qacoustics.co.uk)

Save the file on your computer, then follow these instructions for Windows 10

1. Open 'Device manager'
2. Select 'USB2.0 High-Speed True HD Audio' in 'Sound, video and game controllers'
3. Select 'Driver' and then 'Update Driver'
4. Select 'Browse my computer for drivers, then browse to the downloaded folder and select
5. Windows will then update the driver
6. Once finished, you can select 'SPDIF (USB2.0 High-Speed True HD Audio)' from the speaker selection.
7. Open your music playing application and enjoy.

You can use the remote control or the buttons on the amplified speaker to alter the volume.

## Operation

### LED states

|  |   |
|--|---|
| Red  | System is in standby  |
| Dark red   | System is in deep standby   |
| White  | System is playing optical source  |
| White, flashing                                    | Adjusting volume  |
| White, double flash every 3 seconds                | The optical input is receiving multichannel or dolby digital audio which cannot be played |
| Blue   | System is playing Bluetooth source  |
| Blue, slow pulse                                   | No Bluetooth device connected   |
| Blue flashing                                      | Bluetooth pairing mode  |
| Blue, triple flash                                 | The Bluetooth pairing list has been cleared   |
| Green  | System is playing analogue source   |
| Yellow   | System is playing USB source  |
| Source colour (white, blue, green, yellow) pulsing | Muted   |

## Specification

### Amplifier performance

|   |                      |
|---|----------------------|
| Power output (<1% THD) .....                  | 2 x 32W//4Ω          |
| THD (at 20W//4Ω) .....                        | <0.2%                |
| Freq resp (DSP set flat).....                 | 20Hz to 20kHz ±0.5dB |
| S/N ratio (aux, A-Wtd, max vol, ref 1W) ..... | >81dB                |
| Analogue input sensitivity (for 32W) .....    | 395mV                |
| Analogue input overload.....                  | 2.2V                 |
| Minijack input sensitivity (for 32W) .....    | 220mV                |
| Minijack input overload.....                  | 1.2V                 |
| Sub out (100Hz, at 32W main channels).....    | 380mV                |
| Optical in .....                              | Toslink              |
| Optical in sample rate range.....             | 24bit/192kHz         |
| USB in sample rate range.....                 | 24bit/192kHz         |

### Speakers

|                             |                       |
|-----------------------------|-----------------------|
| Enclosure type .....        | 2-way reflex (ported) |
| Mid range driver .....      | 125mm (5.0in)         |
| Tweeter .....               | 22mm (0.9in)          |
| Crossover frequency.....    | 2.4kHz                |
| Freq resp (free, -6dB)..... | 55Hz - 22kHz          |

### Power

|                           |                      |
|---------------------------|----------------------|
| Supply voltage .....      | 100V - 240V, 50-60Hz |
| Maximum consumption ..... | 125W                 |
| Standby consumption.....  | <0.5 Watts           |

### Bluetooth®

|                               |  |
|-------------------------------|--|
| Bluetooth specification ..... | V5.0   |
| Music enhancements.....       | apt X, aptX HD®<br>apt X Low Latency, SBC, AAC |

### Dimensions

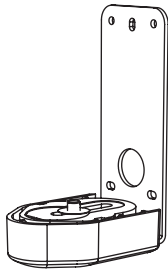
|                   |   |
|-------------------|---|
| (W x H x D) ..... | 170mm x 279mm x 296mm<br>6 <sup>11/16</sup> " x 11" x 11 <sup>5/8</sup> " |
|-------------------|---|

### Weight

|                         |                    |
|-------------------------|--------------------|
| Amplified speaker ..... | 5.5kg<br>12lb 2oz  |
| Passive speaker .....   | 5.1kg<br>11lb 4 oz |

## Accessories

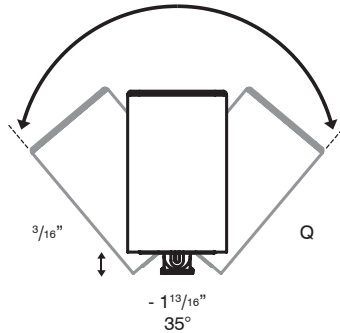
Q 3000WB wall bracket



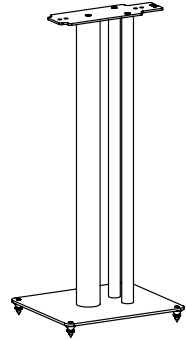
Dimensions (WxHxD):  
70 x 159 x 99mm  
 $2\frac{3}{4}'' \times 6\frac{9}{32}'' \times 3\frac{7}{8}''$

Q 3000WB adjustment angle

35° 5 - 45mm



3000FSi floor stand



Dimensions (W x H x D):  
250 x 682 x 290mm  
 $9\frac{7}{8}'' \times 29\frac{13}{16}'' \times 1\frac{17}{16}''$

## Warranty

The Q M20 system is warranted free of defects in materials and workmanship for a period of 1 year from the date of purchase. During the warranty period Q Acoustics will, at its option, repair or replace any product found to be faulty after inspection by the company or its appointed distributor or agent.

Misuse and fair wear and tear are not covered by warranty.

Goods for repair should in the first instance be returned to the supplying dealer. If this is not possible contact Q Acoustics or their appointed distributor for your area to determine the correct warranty procedure. If possible the original packaging should be used to return the product as damage sustained during transit to the repair centre is not covered by the warranty. The warranty does not in any way affect your legal rights.

Warranty can be extended to 2 years by registering your product at -

[www.qacoustics.co.uk/register](http://www.qacoustics.co.uk/register).

## Contact

### Head office

Q Acoustics  
Woodside 2  
Dunmow Road  
Bishops Stortford  
Hertfordshire, UK  
CM23 5RG

### Knowledge base

For any additional info not contained within this manual, support questions and/or requests, please visit our on-line Knowledge Base Portal at:

[support.qacoustics.co.uk](http://support.qacoustics.co.uk)

### Service information

[support@qacoustics.co.uk](mailto:support@qacoustics.co.uk)



# KABELLOSES SYSTEM M20 HD

## Benutzerhandbuch

### **EU-KONFORMITÄTSERKLÄRUNG**

M 20 entspricht den folgenden EU-Richtlinien sowie gegebenenfalls deren unterstützenden Rechtsinstrumenten und den einschlägigen Normen:

Richtlinie 2004/108/EG über die elektromagnetische Verträglichkeit

Geltende Normen in der aktuellen Fassung: EN 55032, EN 55035

Richtlinie 2006/95/EG (Niederspannungsrichtlinie)

Geltende Norm in der aktuellen Fassung: EN 62368

EU Funkfrequenzen: EN 300328, EN 301489, IEC 62321

Phase 1 des Anhangs II der Verordnung (ErP) (EG) Nr. 1275/2008



Die Bluetooth-Wortmarke und -Logos sind eingetragene Marken von Bluetooth SIG, Inc. und jede Verwendung dieser Marken durch Armour Home Electronics Ltd. erfolgt unter Lizenz. Die aptX®-Marke und das aptX-Logo sind Handelsmarken von CSR plc oder einer ihrer Konzerngesellschaften und können in einem oder mehreren Ländern eingetragen sein. Andere Handelsmarken und Handelsnamen sind Eigentum ihrer jeweiligen Inhaber.

# Inhaltsverzeichnis

|   |    |
|---|----|
| Sicherheitsinformationen .....                                | 1  |
| Wichtige Informationen – bitte aufmerksam lesen .....         | 1  |
| Ordnungsgemäße Entsorgung dieses Produkts.....                | 2  |
| Wartung .....   | 2  |
| Wichtiger Hinweis für Nutzer in Großbritannien .....          | 2  |
| Hinweise.....   | 2  |
| FCC-Erklärung (für Kunden in den USA).....                    | 2  |
| Industry-Canada-Erklärung (für Kunden in Kanada) .....        | 2  |
| Einführung.....   | 3  |
| Packungsinhalt.....   | 3  |
| Eigenschaften im Überblick.....                               | 4  |
| Kabelgebundene Verbindung.....                                | 4  |
| Kabellose Verbindung.....                                     | 4  |
| Akustik.....  | 4  |
| Batterien für Fernbedienung.....                              | 4  |
| Beschreibung.....   | 5  |
| Anschlüsse und Steuerungen auf der Lautsprecherrückseite..... | 5  |
| Lautsprecherregler.....                                       | 6  |
| Fernbedienung.....  | 6  |
| Betrieb .....   | 7  |
| Verbindung zwischen den Lautsprechern .....                   | 7  |
| Aufstellung und Montage der Lautsprecher .....                | 7  |
| Einstellen des EQ-Schalters .....                             | 7  |
| Automatischer Bereitschaftsmodus.....                         | 7  |
| Audio-Wiedergabe über Bluetooth .....                         | 8  |
| Löschen der Bluetooth-Verbindungsliste.....                   | 8  |
| Audio-Wiedergabe über optischen Digitaleingang .....          | 8  |
| Audio-Wiedergabe über Analogeingänge .....                    | 8  |
| Audio-Wiedergabe über USB.....                                | 8  |
| LED-Anzeigen .....  | 9  |
| Technische Daten.....   | 9  |
| Verstärkerleistung .....                                      | 9  |
| Lautsprecher .....  | 9  |
| Stromversorgung .....   | 9  |
| Bluetooth®.....   | 9  |
| Abmessungen .....   | 9  |
| Gewicht .....   | 9  |
| Zubehör.....  | 10 |
| Garantie.....   | 10 |
| Kontakt .....   | 10 |
| Hauptgeschäftssitz.....                                       | 10 |
| Wissensdatenbank.....   | 10 |
| Serviceinformationen .....                                    | 10 |

# Sicherheitsinformationen

## Wichtige Informationen – bitte aufmerksam lesen.



Dieses Symbol weist darauf hin, dass die Dokumentation zu diesem Produkt wichtige Anweisungen zur Bedienung und Wartung enthält.



Dieses Symbol weist auf eine gefährliche Spannung hin, die eine Gefahr von elektrischem Schlag mit sich bringt.



Dieses Gerät ist ein elektrisches Gerät der Schutzklasse II (doppelt isoliert). Es ist so gebaut, dass keine Sicherheitsverbindung mit dem elektrischen Erdungskreis notwendig ist.

Diese Anweisungen bitte lesen und aufbewahren.

Beachten Sie alle Warnhinweise und befolgen Sie alle Anweisungen.

Verwenden Sie dieses Gerät nicht in der Nähe von Wasser.

Nur mit einem trockenen, weichen Tuch reinigen.

Blockieren Sie keine Belüftungsöffnungen.

Gemäß den Anweisungen des Herstellers installieren.

Stellen Sie das Gerät nicht in der Nähe von Wärmequellen wie Heizkörpern, Heizregistern, Öfen oder anderen wärmeerzeugenden Geräten (einschließlich Verstärkern) auf.

Schützen Sie das Netzkabel davor, flachgetreten oder gequetscht zu werden, besonders an Steckern, Anschlussbuchsen und an der Stelle, wo diese aus dem Gerät kommen.

Verwenden Sie ausschließlich das vom Hersteller angegebene Zubehör.

Verwenden Sie zum Aufstellen oder Aufhängen der Lautsprecher ausschließlich die vom Hersteller angegebenen oder mitgelieferten Gerätewagen, Ständer, Stative, Halterungen oder Tische. Achten Sie beim Verwenden eines Gerätewagens darauf, dass der Wagen mit dem Gerät beim Transport nicht umkippt.

Trennen Sie das Gerät bei einem Gewitter oder bei längerer Nichtverwendung vom Stromnetz.

Umgehen Sie auf keinen Fall die durch einen verpolungssicheren oder geerdeten Stecker gebotene Sicherheit. Ein polarisierter Stecker hat zwei Kontakte unterschiedlicher Breite. Ein geerdeter Stecker hat zwei Kontakte und einen dritten Erdungskontakt. Der breitere Stromkontakt bzw. der Erdungskontakt dient Ihrer Sicherheit. Falls der mitgelieferte Schutzkontaktstecker nicht in Ihre Steckdose passt, lassen Sie diese von einem qualifizierten Elektriker austauschen.

Stellen Sie kein offenes Licht, wie z. B. brennende Kerzen, auf das Gerät.

Batterien und Akkus dürfen nicht übermäßiger Wärme, z. B. Sonnenlicht, Feuer und dergleichen, ausgesetzt werden.

Beachten Sie alle Warnhinweise auf dem Gerät. Das Abnehmen von Abdeckungen oder die Demontage des Geräts ist auf jeden Fall zu unterlassen, um die Gefahr

eines Brandes oder elektrischen Schlags zu vermeiden.

Die Betriebsnetzspannung dieses Geräts ist auf einem Leistungsschild auf der Rückseite des Geräts angegeben. Überprüfen Sie vor dem Anschließen an das Stromnetz, dass die Gerätespannung und die Netzspannung übereinstimmen.

Warnung: Änderungen oder Modifikationen, die nicht ausdrücklich vom Hersteller genehmigt wurden, können zum Erlöschen der Betriebsgenehmigung führen.

Warnung: Die unsachgemäße Verwendung von Steuerungen oder Anpassungen oder die Ausführung von Vorgängen, die nicht in diesem Benutzerhandbuch beschrieben sind, können zu einer gefährlichen Exposition führen.

Achtung: Der AC-Eingangsstecker dient als eine Sicherheitsvorrichtung. Er muss nach der Installation leicht zugänglich sein.

Achtung: Um die Gefahr eines Brandes oder elektrischen Schlags zu verringern, schützen Sie dieses Gerät vor Regen und Feuchtigkeit. Das Gerät muss vor Tropf- und Spritzwasser geschützt werden und es dürfen keine mit Flüssigkeit gefüllten Gegenstände (z. B. Blumenvase) auf dem Gerät abgestellt werden.

Um die Gefahr des Erstickens zu vermeiden, halten Sie alle Polyethylen-Beutel und Verpackungen von Säuglingen und Kindern fern.

Dritte: Für den unwahrscheinlichen Fall, dass Sie dieses Produkt an einen Dritten weitergeben, sollten auch die Betriebsanweisungen weitergegeben werden.

### Ordnungsgemäße Entsorgung dieses Produkts:



Diese Kennzeichnung weist darauf hin, dass dieses Produkt in der gesamten EU nicht mit dem Hausmüll entsorgt werden darf. Um mögliche Gesundheits- oder Umweltschäden aufgrund von unsachgemäßer Entsorgung zu vermeiden, ist das Gerät verantwortungsbewusst zu recyceln, um die umweltverträgliche Wiederverwendung der Materialien zu fördern. Um das gebrauchte Gerät an uns zurückzuschicken, nutzen Sie bitte das Rückgabe- und Sammelsystem oder wenden Sie sich an den Händler, bei dem das Produkt gekauft wurde. Dieser kann das Produkt der umweltverträglichen Entsorgung zuführen.



## Sicherheitsinformationen

### Wartung

Wartungsarbeiten nur von qualifiziertem Fachpersonal durchführen lassen.

Eine Wartung ist dann erforderlich, wenn das Gerät in irgendeiner Weise beschädigt wurde, d. h. das Netzkabel oder der Netzstecker beschädigt wurde, Flüssigkeit auf oder in das Gerät gelangt ist, das Gerät Regen oder Feuchtigkeit ausgesetzt war, es nicht normal funktioniert oder heruntergefallen ist.

Für Wartungsarbeiten sollte das Gerät an den ursprünglichen Händler oder den Kundendienst für Ihre Region zurückgegeben werden.

### Wichtiger Hinweis für Nutzer in Großbritannien

Das britische Netzkabel ist mit einem zugelassenen Netzstecker ausgestattet, der über eine 3 A Sicherung verfügt. Wenn die Sicherung ersetzt werden muss, muss eine ASTA- oder BSI-zugelassene, auf 3 A ausgelegte BS1362-Sicherung verwendet werden.

DE

## Hinweise

### FCC-Erklärung (für Kunden in den USA)

Dieses Gerät entspricht Teil 15 der FCC-Bestimmungen. Für den Betrieb gelten die zwei folgenden Bedingungen: (1) Dieses Gerät darf keine schädlichen Interferenzen verursachen, und (2) dieses Gerät muss empfangende Interferenzen aufnehmen können, auch Interferenzen, die eventuell einen unerwünschten Betrieb verursachen.

Das vorliegende Gerät wurde getestet und erfüllt die Grenzwertbestimmungen für digitale Geräte der Klasse B nach Teil 15 der FCC-Bestimmungen. Diese Grenzwerte sollen im Falle einer häuslichen Installation einen angemessenen Schutz vor schädlichen Interferenzen bieten. Dieses Gerät erzeugt und verwendet Hochfrequenzenergie und kann diese ausstrahlen. Bei Nichtbeachtung der Anweisungen für die Installation und den Betrieb kann es Störungen der Funkkommunikation verursachen. Es gibt jedoch keine Garantie, dass es bei einer bestimmten Installation nicht zu Interferenzen kommt. Wenn das Gerät den Funkempfang von Radio- oder Fernsehgeräten stört, was durch Aus- und Einschalten des Geräts überprüft werden kann, empfehlen wir dem Benutzer die folgenden Maßnahmen, um die Störung zu beheben:

- Verändern Sie die Ausrichtung oder Positionierung der Empfangsantenne.
- Vergrößern Sie den Abstand zwischen dem Gerät und dem Empfänger.
- Schließen Sie das Gerät an einen anderen Stromkreis als den des Empfängers an.
- Wenden Sie sich an den Händler oder einen erfahrenen Radio-/Fernsehtechniker.

**WARNUNG!** Alle Änderungen oder Modifikationen an diesem Gerät, die nicht ausdrücklich vom Hersteller genehmigt wurden, können zum Erlöschen der Betriebsgenehmigung führen.

Dieses Gerät entspricht den FCC-Grenzwerten für Strahlenbelastung, die für eine nicht kontrollierte Umgebung festgelegt wurden. Bei der Installation und dem Betrieb dieses Gerätes ist auf einen Mindestabstand von 20 cm zwischen dem Gerät und den Körpern von Personen zu achten.

### Industry-Canada-Erklärung (für Kunden in Kanada)

CAN ICES-3 (B)/NMB-3(B)

Das Gerät erfüllt die Voraussetzungen für die Freistellung von den unter Abschnitt 2.5 der RSS 102 festgelegten regelmäßigen Untersuchungsgrenzwerten und entspricht in vollem Umfang RSS-102 RF. Informationen bezüglich der Hochfrequenzbelastung sind bei Industry Canada erhältlich.

Dieses Gerät entspricht dem/den lizenzfreien RSS-Standard(s) von Industry Canada. Für den Betrieb gelten die zwei folgenden Bedingungen:

1. Dieses Gerät darf keine schädlichen Interferenzen verursachen, und
2. dieses Gerät muss empfangene Interferenzen aufnehmen können, auch Interferenzen, die eventuell einen unerwünschten Betrieb verursachen.

## Einführung

Vielen Dank für Ihren Kauf des kabellosen Musiksystems M 20 HD von Q Acoustics.

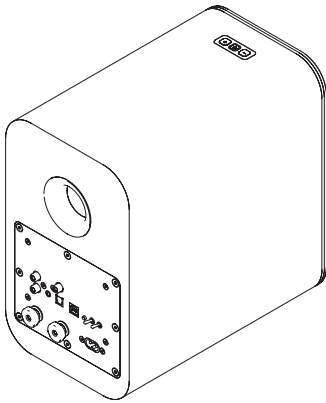
Dieses Handbuch soll Sie durch die Einrichtung und Installation des Geräts führen und hilft Ihnen dabei, die optimale Leistung Ihrer Lautsprecher zu erreichen.

Bitte lesen Sie vor dem Aufstellen und der Verwendung diese Anleitung sowie die wichtigen Sicherheits- und Warnhinweise aufmerksam durch, um einen sicheren und zufriedenstellenden Betrieb dieses Produkts zu gewährleisten.

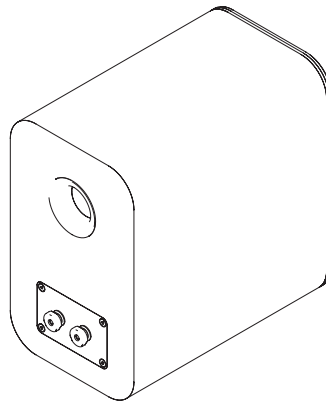
Das System Q M20 vereint außergewöhnlichen Stereoklang mit bequemem Anschluss und integrierter Verstärkung.

DE

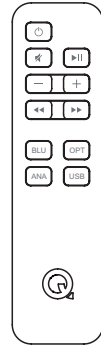
## Packungsinhalt



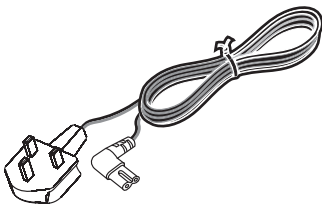
1 × verstärkter Lautsprecher



1 × passiver Lautsprecher



1 × Fernbedienung



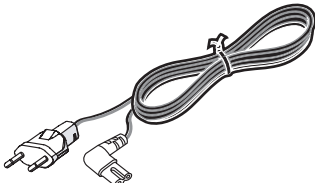
1 × Netzkabel für Großbritannien\*



2 × Schaumstoffstopfen



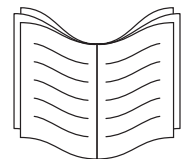
2 × Batterien für Fernbedienung



1 × EU-Netzkabel\*



1 × Lautsprecherkabel 4 m



1 × Benutzerhandbuch

\* Das/die mitgelieferte(n) Netzkabel kann/können je nach Marktversion variieren.

## Eigenschaften im Überblick

### Kabelgebundene Verbindung

- Analoger Audioeingang – Stereo-Phonobuchsen oder 3,5-mm-Stereo-Klinkenstecker ermöglichen den Anschluss an eine externe analoge Audioquelle wie z. B. einen CD-Player.
- Optischer Digitaleingang – ermöglicht den Anschluss an eine externe digitale Audioquelle wie z. B. ein Fernsehergerät.
- Lautsprecher Ausgang – 4-mm-Stereobuchsen ermöglichen eine Verbindung vom verstärkten Lautsprecher zum passiven Lautsprecher.
- USB – eine USB-Buchse vom Typ B ermöglicht den Anschluss an einen Computer.
- Sub Out – ein Phono-Tieftönerausgang zur Verbindung mit einem externen Tieftöner.

### Kabellose Verbindung

- Bluetooth® HD – international gängige drahtlose Verbindung zur Audioübertragung von allen kompatiblen Geräten.
- AVRCP – ein Bluetooth-Steuerprotokoll, das die Lautstärke- und Stumm-Steuerung des Geräts synchronisiert und so die Integration unserer Q-Acoustics-Lautsprecher erleichtert.

### Akustik

- Links-/Rechts-Positionsschalter – ermöglicht das Aufstellen des verstärkten Lautspechers in der Nähe einer Netzsteckdose wahlweise als linker oder rechter Lautsprecher.
- EQ-Schalter – Schalter für EQ-Einstellung durch den Benutzer für optimale Akustik; kann entsprechend der Positionierung der Lautsprecher, ihrer Montageart oder den Nutzerpräferenzen verändert werden.

DE

## Batterien für Fernbedienung

### Einsetzen bzw. Austauschen der Batterien

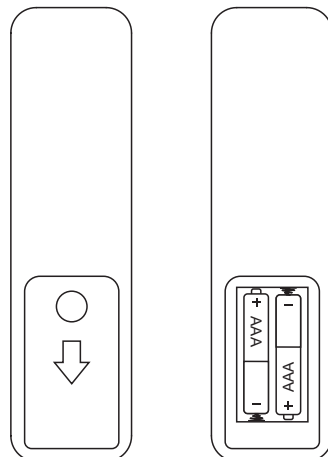
- Schieben Sie die Batteriefachabdeckung in der angezeigten Richtung von der Fernbedienung.
- Nehmen Sie die Abdeckung ab.
- Entnehmen Sie ggf. die leeren/abgelaufenen Batterien.
- Setzen Sie die neuen Batterien ein. Achten Sie dabei auf die korrekte Polung, wie angezeigt.

Wenn Sie die Batterien wechseln, verwenden Sie nur denselben Typ AAA.

Wir empfehlen Alkaline-Batterien. Andere Batterietypen können auslaufen und Schäden verursachen.

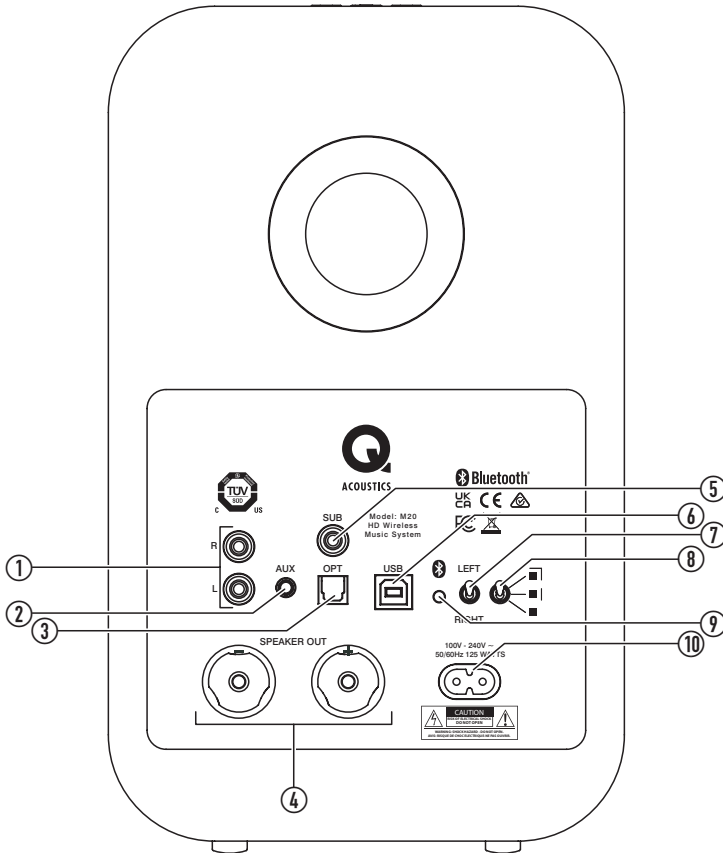
### Entsorgung von Batterien

Entsorgen Sie verbrauchte Batterien entsprechend den Bestimmungen Ihres Landes zur Wiederverwertung. Schließen Sie Batterien NICHT kurz, werfen Sie sie NICHT in Wasser, den normalen Haushaltsmüll oder in ein Feuer.



# Beschreibung

## Anschlüsse und Steuerungen auf der Lautsprecherrückseite



### 1. Phono analog

Anschluss für analoge Audioquelle

### 2. 3,5-mm-Klinkebuchse analog

Anschluss für analoge Audioquelle (deaktiviert Phonobuchsen)

### 3. Optische Toslink-Buchse

Anschluss für digitale optische Audioquelle

### 4. Lautsprecherausgang

Anschluss für passiven Lautsprecher

### 5. Sub

Anschluss für optionalen externen Subwoofer

### 6. USB

Anschluss für Computer-Audioquelle

### 7. Lautsprecherposition

Einstellung von der Hörposition aus links oder rechts im Raum

### 8. EQ-Schalter

Zum Einstellen der Basswiedergabe des Lautsprechers

### 9. Bluetooth

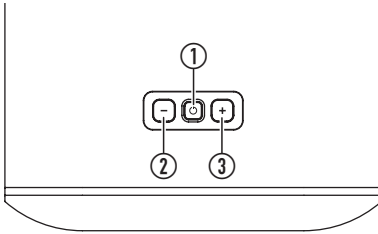
Zum Aktivieren des BT-Verbindungsmodus drücken

### 10. AC-Eingang

Anschluss an das Stromnetz 100–240 V

# Beschreibung

## Lautsprecherregler



### 1. Standby/Quellenauswahl

Zum Einschalten kurz drücken, zum Wechseln in den Bereitschaftsmodus lange drücken.

Zum Wechseln der Quelle drücken.

Sehr langes Drücken im Bereitschaftsmodus wechselt in den Stromsparmodus.

### 2. —

Kurzes Drücken verringert die Lautstärke um eine Stufe.

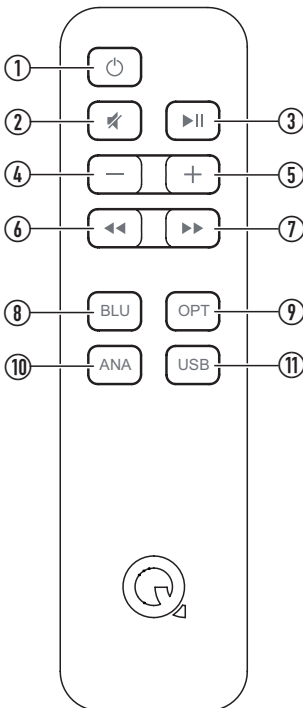
Anhaltendes Drücken verringert die Lautstärke kontinuierlich.

### 3. +

Kurzes Drücken erhöht die Lautstärke um eine Stufe.

Anhaltendes Drücken erhöht die Lautstärke kontinuierlich.

## Fernbedienung



### 1.

Versetzt das Gerät in den Bereitschaftsmodus, Einschalten für optischen Eingang

### 2.

Stumm-/Freischalten der Lautsprecher

### 3.

Unterbrechen/Wiedergabe von Audio, nur bei Bluetooth-Eingang

### 4. —

Kurzes Drücken verringert die Lautstärke um eine Stufe.

Anhaltendes Drücken verringert die Lautstärke kontinuierlich.

### 5. +

Kurzes Drücken erhöht die Lautstärke um eine Stufe.

Anhaltendes Drücken erhöht die Lautstärke kontinuierlich.

### 6.

Einen Titel zurückspringen, nur bei Bluetooth-Eingang

### 7.

Einen Titel vorwärtspringen, nur bei Bluetooth-Eingang

### 8. BLU

Auswählen des Bluetooth-Eingangs; langes Drücken versetzt das System in den Verbindungsmodus

### 9. OPT

Auswählen des optischen Eingangs

### 10. ANA

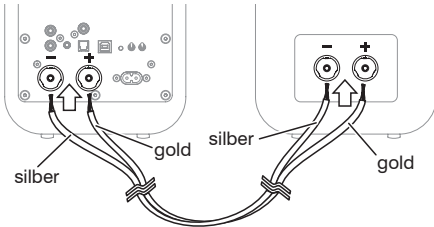
Auswählen des analogen Eingangs

### 11. USB

Auswählen des USB-Eingangs

## Verbindung zwischen den Lautsprechern

Verbinden Sie zuerst mit dem mitgelieferten Lautsprecherkabel die beiden Lautsprecher untereinander. Die Drähte haben unterschiedliche Farben zur Kennzeichnung des (+)- und (-)-Pols. Achten Sie darauf, dass Sie immer an beiden Enden den goldenen Draht für (+) und den silbernen Draht für (-) verwenden.



## Aufstellung und Montage der Lautsprecher

Stellen Sie die Lautsprecher einfach auf beiden Seiten der Haupthörposition auf einer geeigneten ebenen Fläche auf, idealerweise in einem Abstand von etwa 2,0 bis 4,0 m (2–4 Yard).

Alternativ können Sie für den Q M20 den Bodenständer Q 3000FSi oder die Wandhalterung Q 3000WB verwenden. Diese sind gesondert zu beziehen. Befolgen Sie in diesem Fall die damit mitgelieferte Anleitung.

Nach dem Anschließen und Aufstellen der Lautsprecher kann mit den Schaltern auf der Lautsprecherrückseite die korrekte Konfiguration vorgenommen werden.

- Der verstärkte Lautsprecher kann wahlweise links oder rechts aufgestellt werden. Achten Sie darauf, dass der Links/Rechts-Schalter entsprechend eingestellt ist.

## Einstellen des EQ-Schalters

- Sie können die Basswiedergabe der Lautsprecher entsprechend dem von Ihnen gewünschten Basspegel anpassen. Dieser wird von der Lautsprecherposition relativ zu Wänden, Regalen oder Zimmerecken beeinflusst. Machen Sie nach Möglichkeit eine Klangprobe Ihrer M20-Lautsprecher an jeder der drei Positionen und wählen Sie dann die Position, die Ihren Vorlieben am besten entspricht.
  - Diese Einstellung bietet den höchsten Basspegel und eignet sich bei Aufstellung der Lautsprecher entfernt von Wänden oder Ecken.
  - Diese Einstellung bietet einen mittleren Basspegel und eignet sich bei Aufstellung der Lautsprecher in der Nähe einer Wand oder in einem Regal.
  - Diese Einstellung bietet den niedrigsten Basspegel und eignet sich bei Aufstellung der Lautsprecher in Raumecken.

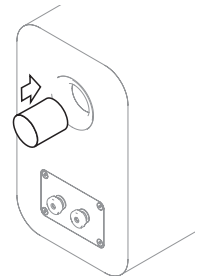
## Optionaler Subwoofer

Optional können Sie an den SUB-Ausgang einen Subwoofer anschließen. Der Subwoofer sollte über Pegel- und Crossover-Regler verfügen. Wenn Sie den Subwoofer angeschlossen haben, spielen Sie Musik mit guten Bassgehalt und stellen Sie mit den Reglern den Subwoofer-Klang entsprechend Ihrem Geschmack ein.

## Bedämpfung des Reflexkanals

Die Lautsprecher Q M20 haben einen Reflexkanal auf der Rückseite und bieten daher den besten Klang, wenn beim Aufstellen vor einer Wand ein Abstand von ca. 200 mm zwischen der Lautsprecherrückseite und der Wand eingehalten wird. Wenn Sie Ihre Lautsprecher nahe zur einer Wand/Ecke aufstellen, sollten Sie die Schaumstoffstöpsel in die Reflexkanäle stecken, um eine übermäßige Bassstärke zu verhindern.

- Stellen Sie sicher, dass die Stopfen die Kanäle dicht verschließen, schieben Sie sie jedoch nicht zu tief hinein.



*Sie werden feststellen, dass der Basspegel reduziert wird, die Tonschärfe und Basswiedergabe jedoch besser sind.*

*Experimentieren Sie mit kleinen Positionsänderungen, um die Lautsprecheraufstellung und das Klangerlebnis zu optimieren.*

## Anschließen an das Stromnetz

- Verbinden Sie das Netzkabel mit dem verstärkten Lautsprecher und schließen Sie es an das Stromnetz an.
 

*Nach dem Anschließen an das Stromnetz leuchtet die LED „Bereitschaft“ rot.*
- Drücken Sie zum Einschalten des Systems auf der Fernbedienung oder im Bedienfeld am Lautsprecher
- Um in den Bereitschaftsmodus zu wechseln, drücken Sie auf der Fernbedienung oder drücken Sie im Bedienfeld am Lautsprecher lange auf .

## Automatischer Bereitschaftsmodus

Der Q M20 verfügt über eine Energiesparfunktion, die automatisch in den Bereitschaftsmodus wechselt, wenn 20 Minuten lang keine Musik gespielt wurde.

## Audio-Wiedergabe über Bluetooth

Mit dem Q M20 können Sie von vielen Bluetooth-Geräten Musik abspielen. Zuerst müssen Sie das Bluetooth-Gerät mit dem Lautsprecher koppeln. Befolgen Sie dazu die folgenden Anweisungen:

1. Halten Sie auf der Fernbedienung die Taste Bluetooth-Eingang gedrückt, bis die blaue LED am Lautsprecher zu blinken beginnt. Alternativ können Sie den Bluetooth-Knopf auf der Rückseite des verstärkten Lautsprechers drücken. Die LED beginnt blau zu blinken.
2. Öffnen Sie die Bluetooth-Einstellungen in Ihrem Gerät und suchen Sie unter den Geräten nach Q M20 HD.
3. Wählen Sie in der neuen Bluetooth-Geräteleiste Q M20 HD aus.

*Wenn die Verbindung hergestellt ist, hört die LED auf zu blinken und leuchtet blau.*

4. Sie können nun Audiodateien von Ihrem Gerät wiedergeben.

Wenn Sie ein Gerät einmal gekoppelt haben, können Sie beim nächsten Mal einfach eine Verbindung zum Q M20 herstellen, das sich einschaltet und den Bluetooth-Eingang auswählt.

Wenn Sie Audiodateien abspielen, können Sie die Lautstärke am Gerät, über die Fernbedienung oder mit den Tasten am verstärkten Lautsprecher einstellen. Über die Fernbedienung können Sie auch die Wiedergabe beginnen, anhalten und Titel überspringen.

## Löschen der Bluetooth-Verbindungsliste


Wenn Sie dies möchten, können Sie alle Geräte aus der gespeicherten Bluetooth-Verbindungsliste löschen. Nehmen Sie dazu die folgenden Schritte vor:

1. Aktivieren Sie den Bluetooth-Verbindungsmodus der Lautsprecher, indem Sie auf der Fernbedienung die Quellentaste BLU drücken. Die LED beginnt blau zu blinken.
2. Halten Sie die Taste BLU auf der Fernbedienung erneut gedrückt, bis die LED erlischt und dann dreimal hintereinander blinkt.

*Die Bluetooth-Verbindungsliste ist nun aus dem Speicher gelöscht und Geräte müssen erneut gekoppelt werden, um eine Verbindung herzustellen.*


## Audio-Wiedergabe über optischen Digitaleingang

Verwenden Sie zum Anschließen Ihrer digitalen Audioquelle an den verstärkten Q-M20-Lautsprecher ein standardmäßiges optisches Toslink-Kabel.

- Drücken Sie die Taste OPT auf der Fernbedienung oder die Taste  am Lautsprecher, bis die LED weiß leuchtet.

Die Lautstärke können Sie über die Fernbedienung oder die Tasten am verstärkten Lautsprecher einstellen.


## Audio-Wiedergabe über Analoggänge

- Schließen Sie eine analoge Audioquelle über die Phonobuchsen oder mit einem 3,5-mm-Stereo-Klinkerkabel über die entsprechende Buchse an. Drücken Sie die Taste ANA auf der Fernbedienung oder die Taste  am Lautsprecher, bis die LED grün leuchtet.

Die Lautstärke können Sie über die Fernbedienung oder die Tasten am verstärkten Lautsprecher einstellen.

## Audio-Wiedergabe über USB

Stellen Sie mit einem USB-Kabel vom Typ A-B eine Verbindung zwischen Ihrem Computergerät und dem verstärkten Lautsprecher des Q M20 her.

- Drücken Sie die Taste USB auf der Fernbedienung oder die Taste  am Lautsprecher, bis die LED gelb leuchtet.

Sie müssen dann den richtigen USB-Treiber von der Website von Q Acoustics herunterladen:

[support.qacoustics.co.uk](http://support.qacoustics.co.uk)

Speichern Sie die Datei auf Ihrem Computer und befolgen Sie dann die folgende Anleitung für Windows 10.

1. Öffnen Sie den Geräte-Manager.
2. Öffnen Sie „Audio-, Video- und Gamecontroller“ und wählen Sie „USB2.0 High-Speed True HD Audio“ aus.
3. Wählen Sie „Treiber“ und dann „Treiber aktualisieren“.
4. Wählen Sie „Auf dem Computer nach Treibersoftware suchen“. Navigieren Sie dann zu der heruntergeladenen Datei und wählen Sie diese aus.
5. Daraufhin aktualisiert Windows den Treiber.
6. Wenn dies abgeschlossen ist, können Sie im Lautsprechermenü „SPDIF (USB2.0 High-Speed True HD Audio)“ auswählen.
7. Öffnen Sie Ihre Musikanwendung und genießen Sie!

Die Lautstärke können Sie über die Fernbedienung oder die Tasten am verstärkten Lautsprecher einstellen.

## Betrieb

### LED-Anzeigen

|  |   |
|--|---|
| rot  | System ist im Bereitschaftsmodus (Standby)  |
| dunkelrot                                      | System ist im Stromsparmmodus   |
| weiß   | Das System spielt eine optische Quelle.   |
| weiß, Blinken                                  | Die Lautstärke wird eingestellt.  |
| weiß, Doppelblinken alle 3 Sekunden            | Der optische Eingang empfängt Multichannel- oder Dolby-digital-Audio, das nicht abgespielt werden kann. |
| blau   | Das System spielt eine Bluetooth-Quelle.  |
| blau, langsames Blinken                        | Es ist kein Bluetooth-Gerät verbunden.  |
| blau, schnelles Blinken                        | Bluetooth-Verbindungsmodus  |
| blau, Dreifachblinken                          | Die Bluetooth-Verbindungsliste wurde gelöscht.  |
| grün   | Das System spielt eine analoge Quelle.  |
| gelb   | Das System spielt eine USB-Quelle.  |
| Quellenfarbe (weiß, blau, grün, gelb), Blinken | Das System ist stumm geschaltet.  |

## Technische Daten

### Verstärkerleistung

Ausgangsleistung (< 1 % THD) ..... 2 × 32 W//4 Ω  
 THD (bei 20 W//4 Ω)..... < 0,2 %  
 Frequenzgang (DSP flach) ..... 20 Hz bis 20 kHz  
 ±0,5 dB  
 S/R-Verhältnis (Aux, A-gew., max. LS, Ref. 1 W)  
 ..... > 81 dB  
 Eingangsempfindlichkeit analog (für 32 W) . 395 mV  
 Eingangsüberlastung analog.....2,2 V  
 Eingangsempfindlichkeit Klinke (für 32 W)... 220 mV  
 Eingangsüberlastung Klinke.....1,2 V  
 Sub-Ausgang  
 (100 Hz, bei 32 W Hauptkanäle)..... 380 mV  
 optischer Eingang.....Toslink  
 Abtastrate optischer Eingang ..... 24 bit/192 kHz  
 Abtastrate USB-Eingang..... 24 bit/192 kHz

### Lautsprecher

Gehäusetyp .....2-Wege-Reflex (mit Kanal)  
 Mitteltöner ..... 125 mm (5,0 Zoll)  
 Hochtöner ..... 22 mm (0,9 Zoll)  
 Crossover-Frequenz.....2,4 kHz  
 Frequenzgang (frei, -6 dB)..... 55 Hz - 22 kHz

### Stromversorgung

Versorgungsspannung ..... 100-240 V, 50-60 Hz  
 Maximalverbrauch.....125 W  
 Verbrauch Bereitschaftsmodus ..... < 0,5 W

### Bluetooth®

Bluetooth-Spezifikation .....V5.0  
 Klangverbesserungen.....aptX, aptX HD®,  
 aptX Low Latency, SBC, AAC

### Abmessungen

(B × H × T)..... 170 mm × 279 mm × 296 mm  
 6<sup>11/16</sup>" × 11" × 11<sup>5/8</sup>"

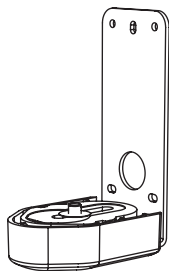
### Gewicht

verstärkter Lautsprecher .....5,5 kg  
 12 lb 2 oz  
 passiver Lautsprecher.....5,1 kg  
 11 lb 4 oz



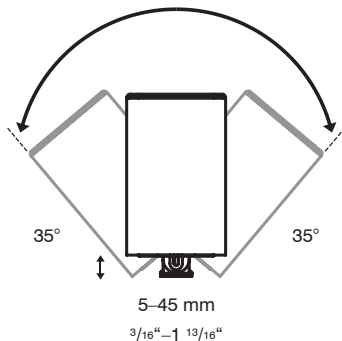
## Zubehör

Wandhalterung Q 3000WB



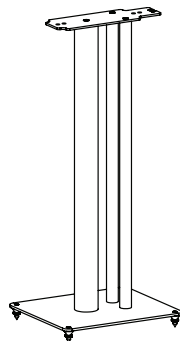
Abmessungen (B × H × T):  
70 × 159 × 99 mm  
 $2\frac{3}{4}'' \times 6\frac{9}{32}'' \times 3\frac{7}{8}''$

Verstellwinkel der Q 3000WB



5-45 mm  
 $\frac{3}{16}'' - 1\frac{13}{16}''$

Bodenständer Q 3000FSi



Abmessungen (B × H × T)  
250 × 682 × 290 mm  
 $9\frac{7}{8}'' \times 29\frac{13}{16}'' \times 1\frac{17}{16}''$

## Garantie

Die Garantie für das System Q M20 umfasst Material- und Verarbeitungsfehler für einen Zeitraum von 1 Jahr ab Kaufdatum. Während der Garantiezeit wird Q Acoustics fehlerhafte Produkte nach einer Prüfung durch das Unternehmen oder einen benannten Händler oder Vertreter nach eigenem Ermessen reparieren oder ersetzen.

Unschlagmäßiger Gebrauch und normaler Verschleiß werden von dieser Garantie nicht erfasst.

Ware zur Reparatur sollte in erster Linie an den ursprünglichen Händler zurückgegeben werden. Wenn dies nicht möglich ist, wenden Sie sich an Q Acoustics oder einen zugelassenen Händler in Ihrer Region, um die richtige Garantieabwicklung zu bestimmen. Wenn möglich, sollte zur Rücksendung des Produkts die Originalverpackung verwendet werden, da Schäden, die während des Transports in die Reparaturwerkstatt entstehen, nicht unter die Garantie fallen. Ihre gesetzlichen Rechte werden in keiner Weise von dieser Garantie berührt.

Die Garantie kann auf 2 Jahre verlängert werden, wenn Sie Ihr Produkt unter der folgenden Internetadresse registrieren:

[www.qacoustics.co.uk/register](http://www.qacoustics.co.uk/register).

## Kontakt

### Hauptgeschäftssitz

Q Acoustics  
Woodside 2  
Dunmow Road  
Bishops Stortford  
Hertfordshire, Großbritannien  
CM23 5RG

### Wissensdatenbank

In unserem Online-Wissensportal finden Sie weitere Informationen, die nicht in diesem Handbuch enthalten sind. Dort können Sie auch Supportfragen und Anfragen stellen:

[support.qacoustics.co.uk](http://support.qacoustics.co.uk)

### Serviceinformationen

[support@qacoustics.co.uk](mailto:support@qacoustics.co.uk)



# SISTEMA INALÁMBRICO DE ALTA DEFINICIÓN M20

## MANUAL DEL USUARIO

### **DECLARACIÓN DE CONFORMIDAD CE**

M20 se ajusta a las siguientes Directivas de la CEE, a sus correspondientes instrumentos reglamentarios y demás normas pertinentes, en su caso:

Directiva del Consejo de la CE relativa a la compatibilidad electromagnética 2004/108/CE

Normas aplicables con enmiendas: EN55032, EN55035

Directiva 2006/95/CEE relativa al material eléctrico de baja tensión de la CE

Norma aplicable con enmiendas: EN62368

Conexión inalámbrica en la UE: EN300328, EN301489, IEC62321

Etapas 1 del anexo II del Reglamento CE (PrE) n.º 1275/2008 de la Comisión



La palabra-marca Bluetooth y sus logotipos son marcas comerciales registradas propiedad de Bluetooth SIG, Inc. y cualquier uso de estos por parte de Armour Home Electronics Ltd. se realiza bajo licencia. La marca aptX® y el logotipo de aptX son marcas comerciales registradas de CSR plc o de una de las empresas del grupo y pueden estar registradas en una o varias jurisdicciones. Las otras marcas comerciales y nombres comerciales son propiedad de sus respectivos propietarios.

|   |    |
|---|----|
| Información de seguridad.....                                   | 1  |
| Información importante – Léala detenidamente.....               | 1  |
| Eliminación correcta de este producto.....                      | 1  |
| Servicio técnico.....   | 2  |
| Aviso importante para los usuarios del Reino Unido.....         | 2  |
| Notas.....  | 2  |
| Declaración de la FCC (para clientes estadounidenses).....      | 2  |
| Declaración de Industry Canada (para clientes canadienses)..... | 2  |
| Introducción.....   | 3  |
| Contenido del paquete.....                                      | 3  |
| Resumen de características.....                                 | 4  |
| Conectividad por cable.....                                     | 4  |
| Conectividad inalámbrica.....                                   | 4  |
| Acústica.....   | 4  |
| Pilas del mando a distancia.....                                | 4  |
| Botones y conexiones.....                                       | 5  |
| Conexiones y botones traseros del altavoz.....                  | 5  |
| Controles del altavoz.....                                      | 6  |
| Mando a distancia.....  | 6  |
| Funcionamiento.....   | 7  |
| Conexión entre altavoces.....                                   | 7  |
| Instalación y montaje del altavoz.....                          | 7  |
| Ajuste del interruptor EQ.....                                  | 7  |
| Modo de espera automático.....                                  | 7  |
| Reproducción de audio con Bluetooth.....                        | 8  |
| Borrar la lista de emparejamiento Bluetooth.....                | 8  |
| Reproducción de audio con conexión óptica digital.....          | 8  |
| Reproducción de audio con conexión analógica.....               | 8  |
| Reproducción de audio con USB.....                              | 8  |
| Estados de LED.....   | 9  |
| Especificaciones.....   | 9  |
| Rendimiento del amplificador.....                               | 9  |
| Altavoces.....  | 9  |
| Encendido.....  | 9  |
| Bluetooth®.....   | 9  |
| Dimensiones.....  | 9  |
| Peso.....   | 9  |
| Accesorios.....   | 10 |
| Garantía.....   | 10 |
| Contacto.....   | 10 |
| Oficinas centrales.....   | 10 |
| Base de conocimientos.....                                      | 10 |
| Asistencia técnica.....   | 10 |

# Información de seguridad

## Información importante – Léala detenidamente



Este equipo es un aparato eléctrico de Clase II protegido con doble aislamiento. Se ha diseñado de tal manera que no requiere una toma eléctrica de seguridad a tierra.

Lea y guarde estas instrucciones.

Cumpla todas las advertencias y siga todas las instrucciones.

No utilice este equipo cerca del agua.

Límpielo solamente con un paño suave y seco.

No obstruya las aberturas de ventilación.

Instale el aparato siguiendo las instrucciones del fabricante.

No lo instale cerca de ninguna fuente de calor, como radiadores, rejillas de aire acondicionado, estufas u otros aparatos que produzcan calor (incluidos los amplificadores).

Proteja el cable eléctrico de pisadas o roturas, especialmente en la zona de los enchufes, regletas o en el punto en el que sale del aparato.

Utilice únicamente los acoplamientos o accesorios especificados por el fabricante.

Utilice solamente el carro, soporte, trípode, abrazadera o mesa especificados por el fabricante o vendidos con el aparato. Cuando utilice un carro, tenga cuidado al mover el carro/la combinación de aparatos para evitar lesiones por vuelco.

Desenchufe esta unidad durante tormentas eléctricas o cuando no se utilice durante un largo período de tiempo.

No anule los dispositivos de seguridad de los enchufes polarizados o con toma a tierra. Los enchufes polarizados tienen dos clavijas, una más ancha que la otra. Los enchufes con toma a tierra tienen dos clavijas convencionales y una tercera con la toma a tierra. Tanto la clavija ancha como la tercera clavija son dispositivos de seguridad. Si el enchufe suministrado no encaja en la toma, póngase en contacto con un electricista para sustituir la toma antigua.

No coloque fuentes de fuego directo, tales como velas encendidas, sobre el producto.

Las pilas (un paquete de pilas o las baterías instaladas) no deben someterse a calor excesivo como la luz del sol, el fuego o similares.

Preste atención a todas las indicaciones de advertencia del aparato. No desmonte la unidad bajo ninguna circunstancia ni retire la cubierta para evitar el riesgo de incendio o descargas eléctricas.



Este símbolo indica que el manual que acompaña a este aparato contiene instrucciones de uso y mantenimiento importantes.



Este símbolo indica que la unidad contiene voltaje peligroso que presenta riesgo de descarga eléctrica.

El voltaje de funcionamiento de la red de suministro de esta unidad está señalado en la placa de características de la parte trasera de la unidad. Antes de conectar a la toma de la red eléctrica, compruebe que el voltaje es el mismo que el de su red de suministro.

**Precaución:** Los cambios o modificaciones no aprobados de forma expresa por el fabricante podrían anular la autoridad del usuario para utilizar este equipo.

**Precaución:** El uso de mandos o ajustes o la realización de procedimientos distintos a los especificados aquí pueden provocar una exposición peligrosa.

**Advertencia:** El conector de entrada de CA se utiliza como dispositivo de desconexión de seguridad. Después de la instalación debe ser fácilmente accesible.

**Advertencia:** Para reducir el riesgo de incendio o descargas eléctricas, no exponga este producto a la lluvia ni a la humedad. No exponga el producto a goteos ni salpicaduras ni coloque recipientes con líquidos (como, por ejemplo, floreros) sobre el mismo.

Para evitar el riesgo de asfixia, mantenga todo el embalaje y las bolsas de polietileno fuera del alcance de bebés y niños pequeños.

**Terceros:** En el caso improbable de que pasara este producto a terceras personas, incluya estas instrucciones de funcionamiento con el producto.

### Eliminación correcta de este producto



Esta marca indica que, en toda la UE, no se permite desechar el producto junto con los residuos domésticos. Para evitar que se produzcan posibles daños en el medio ambiente o en la salud humana debido a la generación incontrolada de residuos, recíclelo de forma responsable para fomentar la reutilización sostenible de los recursos materiales. Para devolver el dispositivo usado, utilice los sistemas de devolución y recogida, o bien póngase en contacto con el establecimiento en el que adquirió el producto. Ellos pueden recoger el producto para su reciclaje respetuoso con el medio ambiente.

## Información de seguridad

### Servicio técnico

La unidad debe ser reparada solamente por personal técnico cualificado.

La reparación es necesaria cuando la unidad se ha dañado de algún modo, por ejemplo, si se ha dañado el cable o el enchufe de alimentación, si se ha derramado líquido o han caído objetos dentro del aparato, si el aparato ha estado expuesto a lluvia o humedad, si no funciona normalmente o si se ha caído.

El equipo deberá devolverse al distribuidor o al servicio técnico de su zona para su reparación.

### Aviso importante para los usuarios del Reino Unido

El cable de alimentación para el Reino Unido termina con un enchufe de red aprobado por el Reino Unido equipado con un fusible de 3 A. Si fuera necesario sustituir el fusible, debe utilizarse un fusible de 3 A aprobado por ASTA o BSI para la norma BS1362.

ES

## Notas

### Declaración de la FCC (para clientes estadounidenses)

Este dispositivo ha sido probado y cumple con la Sección 15 de las Normas de la FCC. El funcionamiento está sujeto a las siguientes dos condiciones: (1) este dispositivo no puede causar interferencias perjudiciales y (2) este dispositivo debe aceptar cualquier interferencia, incluidas las interferencias que puedan causar un funcionamiento no deseado.

Este equipo se ha probado y cumple con los límites establecidos para un dispositivo digital de Clase B conforme a la Sección 15 de las Normas de la FCC. Estos límites han sido fijados para ofrecer una protección razonable frente a interferencias perjudiciales en una instalación residencial. Este equipo genera, utiliza y puede emitir energía de radiofrecuencia y, si no se instala y utiliza según las instrucciones, puede provocar interferencias perjudiciales a las comunicaciones de radio. Sin embargo, no se garantiza que no se producirá interferencia en algún tipo de instalación en particular. Si el equipo provoca alguna interferencia perjudicial en la recepción de radio o televisión, lo que puede determinarse encendiéndolo y apagándolo, se anima al usuario a que intente corregir la interferencia mediante una o más de las siguientes acciones:

- Reorientar o reubicar la antena receptora.
- Aumentar la separación entre el equipo y el receptor.
- Conectar el equipo en un enchufe o en un circuito diferente a aquel donde esté conectado el receptor.
- Contactar con el distribuidor o con un técnico de radio/televisión con experiencia.

**¡PRECAUCIÓN!** Cualquier cambio o modificación que se realice en el dispositivo y no haya sido aprobado de forma expresa por Q Acoustics podría anular la autorización del usuario para utilizar el equipo.

Este equipo cumple los límites de exposición a la radiación de la FCC establecidos para un entorno no controlado. Este equipo debe instalarse y utilizarse manteniendo el radiador a 20 cm de distancia o más de su cuerpo.

### Declaración de Industry Canada (para clientes canadienses)

CAN ICES-3 (B)/NMB-3(B)

Este dispositivo cumple con la exención de los límites de evaluación rutinarios de la Sección 2.5 de la RSS 102 y cumple con la norma RSS-102 RF. Los usuarios pueden obtener información sobre la exposición a radiofrecuencia y el cumplimiento normativo de Industry Canada.

El dispositivo cumple con las normas RSS de Industry Canada sobre exenciones de licencia. El funcionamiento está sujeto a las siguientes dos condiciones:

1. Este dispositivo no puede causar interferencias perjudiciales, y
2. Este dispositivo debe aceptar cualquier interferencia, incluidas las interferencias que puedan causar un funcionamiento no deseado.

## Introducción

Gracias por comprar el sistema de música inalámbrico de alta definición Q Acoustics M20.

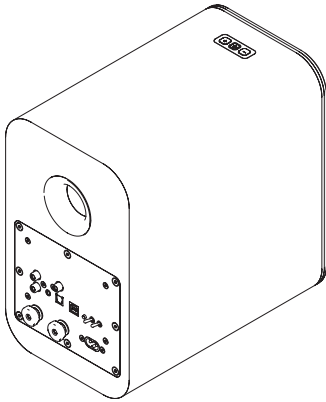
El propósito de este manual es guiarle durante el proceso de configuración e instalación. Además, le ayudará a conseguir un rendimiento óptimo del producto.

Por favor, lea todas las instrucciones, la información importante de seguridad y las advertencias antes de instalar y utilizar el producto, para asegurar un correcto funcionamiento del mismo.

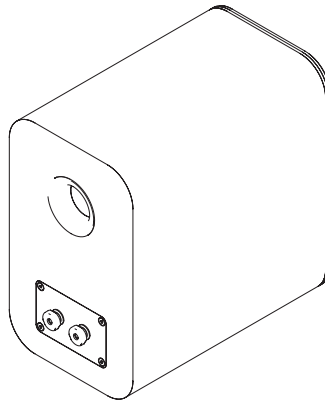
El sistema Q M20 combina un sonido estéreo excepcional con una conectividad práctica y la amplificación integrada.

ES

## Contenido del paquete



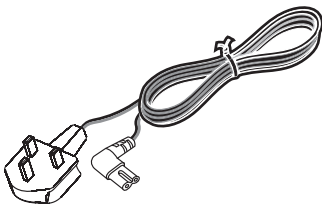
1 altavoz amplificado



1 altavoz pasivo



1 mando a distancia



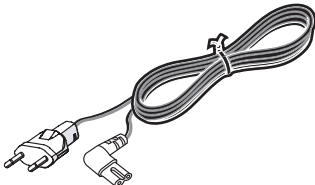
1 cable eléctrico para el Reino Unido\*



2 tapones de espuma



2 pilas para el mando a distancia



1 cable eléctrico para la UE\*



1 cable de altavoces de 4 m



1 manual del propietario

\*Los cables eléctricos incluidos pueden variar según la versión de mercado.

## Resumen de características

### Conectividad por cable

- Entrada analógica de audio – Los conectores de audio estéreo o la clavija estéreo de 3,5 mm permiten la conexión a una fuente de audio analógica externa, como un reproductor de CD.
- Entrada óptica digital – Permite la conexión a una fuente de audio digital externa, como un televisor.
- Salida del altavoz – Conectores estéreo de 4 mm que permiten la conexión del altavoz amplificado al altavoz pasivo.
- USB – Un conector USB de tipo B que permite la conexión a un ordenador.
- Salida para subwoofer – Una salida de audio de subwoofer que permite la conexión con un subwoofer externo.

### Conectividad inalámbrica

- Bluetooth® HD – Una conexión inalámbrica internacional que se utiliza para retransmitir audio proveniente de todos los dispositivos compatibles.
- AVRCP – Un protocolo de control Bluetooth que sincroniza el control del volumen y el silencio de su dispositivo para que se integre de forma sencilla con nuestro altavoz Q Acoustics.

### Acústica

Interruptor de posición izquierda/derecha – Permite colocar el altavoz amplificado a la izquierda o a la derecha del par, donde esté más cerca de la toma de la red eléctrica.

Interruptor EQ – El usuario puede controlar el ajuste del ecualizador para obtener el mejor rendimiento acústico. Esto se puede cambiar según la posición o montaje del altavoz, o las preferencias del usuario.

ES

## Pilas del mando a distancia

### Colocación o cambio de pilas

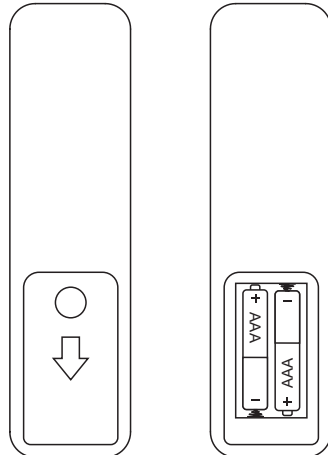
- Deslice la tapa de las pilas del mando a distancia en la dirección mostrada.
- Quite la tapa del mando a distancia.
- Quite las pilas gastadas (en caso necesario).
- Coloque las pilas nuevas de acuerdo con la polaridad que se indica.

Cuando cambie las pilas, utilice únicamente el mismo tipo AAA.

Se recomiendan pilas alcalinas. Otro tipo de pilas pueden tener fugas y causar daños.

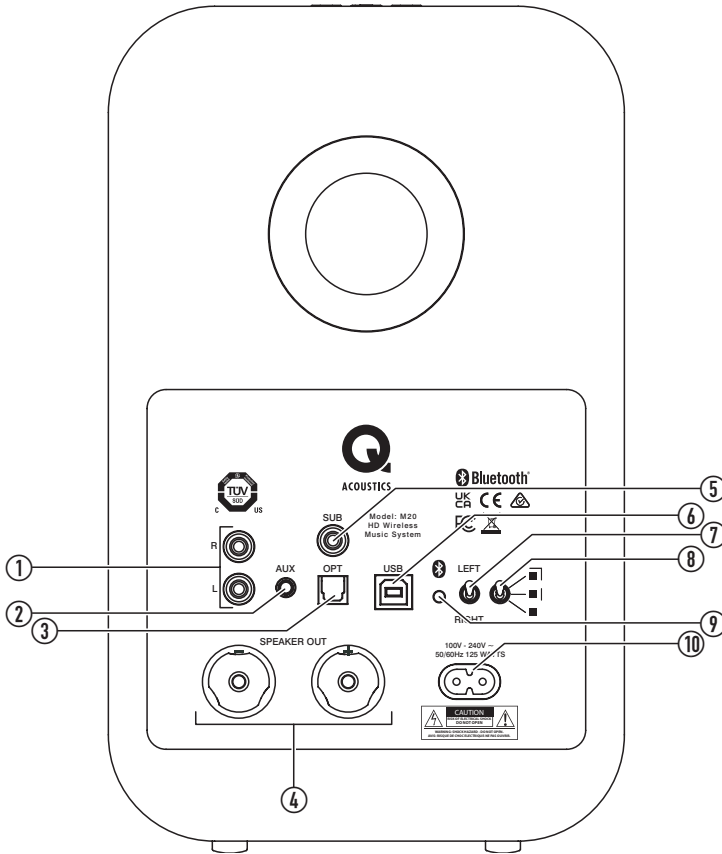
### Dónde tirar las pilas

Tire las pilas usadas siguiendo la normativa de reciclaje de su zona. NO cortocircuite las pilas ni las tire al agua, a la basura doméstica ni al fuego.



# Botones y conexiones

## Conexiones y botones traseros del altavoz



### 1. Sonido analógico

Conexión de una fuente analógica de audio

### 2. Clavija analógica de 3,5 mm

Conexión de una fuente analógica de audio (desactiva los conectores de audio)

### 3. Toslink óptico

Conexión de una fuente digital óptica de audio

### 4. Altavoz de salida

Conexión de los altavoces pasivos

### 5. Sub

Conexión del subwoofer externo opcional

### 6. USB

Conexión de una fuente de audio del ordenador

### 7. Colocación del altavoz

Seleccione la ubicación izquierda o derecha en la habitación desde el lugar de escucha

### 8. Interruptor EQ

Ajusta la respuesta de graves del altavoz

### 9. Bluetooth

Pulse para el emparejamiento Bluetooth

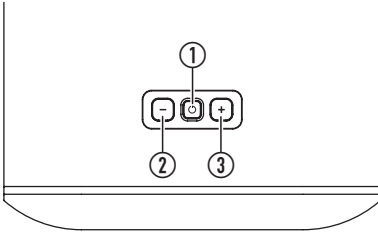
### 10. Alimentación de CA

Conexión a la alimentación principal de 100-240 V



## Botones y conexiones

### Controles del altavoz



#### 1. Modo de espera / Fuente

*Púlselo para encender; manténgalo pulsado para el modo de espera*

*Pulsación normal para cambiar de fuente*

*Una pulsación muy larga durante el modo de espera activa el modo de espera profundo*

#### 2. —

*Púlselo para bajar el volumen un solo nivel*

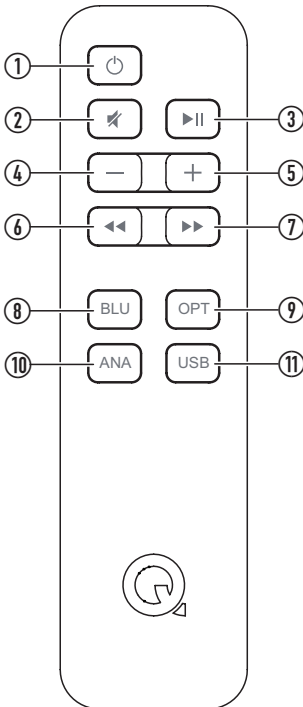
*Manténgalo pulsado para bajar el volumen de forma seguida*

#### 3. +

*Púlselo para subir el volumen un solo nivel*

*Manténgalo pulsado para subir el volumen de forma seguida*

### Mando a distancia



#### 1.

*Pone el sistema en modo de espera, pasa a la entrada óptica*

#### 2.

*Pone en silencio/Vuelve a activar los altavoces*

#### 3.

*Pone en pausa/Reproduce el audio, solo en la entrada Bluetooth*

#### 4. —

*Una pulsación corta baja el volumen un nivel*

*La pulsación continuada baja el volumen de forma seguida*

#### 5. +

*Una pulsación corta sube el volumen un nivel*

*La pulsación continuada sube el volumen de forma seguida*

#### 6.

*Retrocede una pista, solo en la entrada Bluetooth*

#### 7.

*Avanza una pista, solo en la entrada Bluetooth*

#### 8. BLU

*Selecciona la entrada Bluetooth; la pulsación prolongada activa el modo de emparejamiento*

#### 9. OPT

*Selecciona la entrada óptica*

#### 10. ANA

*Selecciona la entrada analógica*

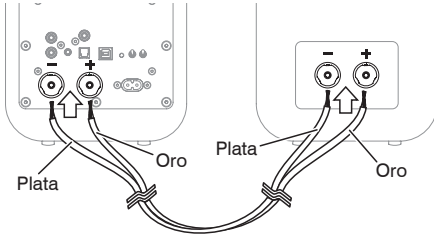
#### 11. USB

*Selecciona la entrada de USB*

## Funcionamiento

### Conexión entre altavoces

En primer lugar, conecte entre los dos altavoces el cable de altavoz incluido. Los cables tienen colores distintos para identificar la polaridad + y -. Asegúrese de utilizar siempre el cable dorado para + y el cable plateado para - en ambos extremos.



### Instalación y montaje del altavoz

Solo hay que colocar los altavoces a ambos lados de la posición de escucha principal sobre una superficie plana adecuada, preferentemente a unos 2-4 metros de distancia entre sí.

Otra opción es utilizar el sistema Q M20 con el soporte de suelo Q 3000FSi o la abrazadera de pared Q 3000WB (disponibles por separado). Siga las instrucciones incluidas en dichos productos.

Cuando haya montado e instalado los altavoces en su lugar, puede configurarlos con los interruptores de la parte trasera del altavoz amplificado.

- El altavoz amplificado se puede colocar tanto en posición izquierda como derecha. Tan solo tiene que ajustar el interruptor izquierda / derecha correctamente.

### Ajuste del interruptor EQ

- Puede ajustar la respuesta de los graves de los altavoces para que se ajuste a su nivel deseado de graves, que se ve afectado por la posición del altavoz con relación a la pared, a una estantería o esquina. Pruebe a escuchar sus altavoces M20 en cada una de las tres posiciones, eligiendo la que más le convenza.
  - *Esta posición le proporcionará la mayor potencia de graves y es adecuada si los altavoces se colocan alejados de paredes o esquinas.*
  - | *Esta posición le proporcionará un nivel medio de graves y es adecuada si los altavoces están cerca de una pared o en una estantería.*
  - | | *Esta posición le dará el nivel más bajo de graves y es adecuada si los altavoces están en las esquinas de la habitación.*

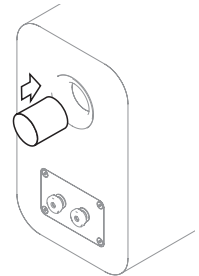
### Subwoofer opcional

Opcionalmente puede conectarse un subwoofer a la salida SUB. El subwoofer debe incluir mandos de nivel y de cruce. Con el subwoofer conectado, reproduzca alguna música que tenga bastantes graves y, al mismo tiempo, ajuste los mandos del subwoofer de acuerdo con el sonido que prefiera.

### Atenuación de los orificios

Los altavoces Q M20 tienen orificios traseros y están diseñados para funcionar mejor con un poco de espacio detrás de ellos, es decir a unos 200 mm de la pared. Si coloca los altavoces cerca de una pared o esquina, debe insertar los tapones de espuma en los orificios traseros para que no se generen demasiados graves.

- Asegúrese de que los tapones estén firmemente sujetos al orificio, pero sin insertarlos en exceso.






*Observará que el nivel de graves se reduce pero que aumenta la definición y extensión de los graves.*

*Experimente para ver lo que prefiere y trate de hacer pequeños cambios en la posición del altavoz para optimizar el resultado final.*

### Encendido

- Conecte el cable eléctrico al altavoz amplificado y enchúfelo a una toma de la red eléctrica.

*Una vez encendido, el LED del modo de espera se encenderá en rojo.*

- Para encender el sistema, pulse  en el mando a distancia o en el panel de control.
- Para activar el modo de espera, pulse  en el mando a distancia o mantenga pulsado  en el panel de control.

### Modo de espera automático

El sistema Q M20 incluye una característica automática de modo de espera para ahorrar energía. Si en veinte minutos no se ha reproducido nada, el sistema pasará automáticamente al modo de espera.

### Reproducción de audio con Bluetooth

Puede utilizar muchos dispositivos Bluetooth para reproducir audio a través del sistema Q M20. En primer lugar debe emparejar su dispositivo Bluetooth con el altavoz siguiendo las siguientes instrucciones.

1. Mantenga pulsado el botón de entrada de Bluetooth del mando a distancia hasta que el LED azul parpadee en el altavoz. Otra posibilidad es pulsar el botón de Bluetooth de la parte trasera del altavoz amplificado. El LED parpadeará en azul.
2. Seleccione la configuración Bluetooth de su dispositivo y busque Q M20 HD.
3. Seleccione el dispositivo Q M20 HD en la lista de dispositivos de Bluetooth que aparezca.

*Una vez conectado, el LED dejará de parpadear y se iluminará en azul.*

4. Ya puede reproducir audio desde su dispositivo.

Una vez que haya emparejado un dispositivo, la próxima vez podrá conectarse al Q M20, lo que encenderá y seleccionará la entrada Bluetooth.

Al reproducir audio, puede utilizar el dispositivo, el mando a distancia o los botones del altavoz amplificado para cambiar el volumen. También puede utilizar el mando a distancia para reproducir, poner en pausa y moverse por las pistas.

### Borrar la lista de emparejamiento Bluetooth


En caso necesario, puede borrar todos los dispositivos de la memoria de emparejamiento Bluetooth con los siguientes pasos:

1. Ponga los altavoces en el modo de emparejamiento Bluetooth pulsando prolongadamente el botón de fuente BLU del mando a distancia. El LED parpadeará en azul.
2. Vuelva a mantener pulsado el botón de fuente BLU del mando a distancia hasta que el LED se apague y después parpadee tres veces.

*La lista de emparejamiento Bluetooth se ha borrado de la memoria y los dispositivos deben emparejarse de nuevo para poder conectarse.*


### Reproducción de audio con conexión óptica digital

Utilice un cable óptico TOSLINK estándar para conectar su fuente de audio digital al altavoz amplificado Q M20.

- Pulse el botón OPT del mando a distancia o pulse el botón  del altavoz hasta que el LED se encienda en blanco.

Puede utilizar el mando a distancia o los botones del altavoz amplificado para cambiar el volumen.


### Reproducción de audio con conexión analógica

- Utilice los conectores de audio o la clavija estéreo de 3,5 mm para conectar su fuente analógica de audio. Pulse el botón ANA del mando a distancia o pulse el botón  del altavoz hasta que el LED se encienda en verde.

Puede utilizar el mando a distancia o los botones del altavoz amplificado para cambiar el volumen.

### Reproducción de audio con USB

Conecte un cable de tipo USB A-B desde su ordenador hasta el altavoz amplificado Q M20.

- Pulse el botón USB del mando a distancia o pulse el botón  del altavoz hasta que el LED se encienda en amarillo.

Debe descargarse el controlador USB correspondiente en la página web de Q Acoustics: [support.qacoustics.co.uk](http://support.qacoustics.co.uk)

Guarde el archivo en su ordenador y, para Windows 10, siga estas instrucciones.

1. Abra el "Administrador de dispositivos".
2. Seleccione "USB2.0 High-Speed True HD Audio" en "Controladores de sonido, vídeo y juegos".
3. Seleccione "Controlador" y, a continuación, "Actualizar controlador".
4. Seleccione "Buscar controladores en mi ordenador", vaya a la carpeta donde guardó la descarga y seleccione el archivo.
5. A continuación, Windows actualizará el controlador.
6. Cuando haya terminado, puede seleccionar "SPDIF (USB2.0 High-Speed True HD Audio)" en la selección de altavoces.
7. Abra su aplicación de reproducción de música ¡y disfrute!

Puede utilizar el mando a distancia o los botones del altavoz amplificado para cambiar el volumen.

## Funcionamiento

### Estados de LED

|  |  |
|--|--|
| Rojo   | Sistema en modo de espera  |
| Rojo oscuro  | Sistema en modo profundo de espera   |
| Blanco   | El sistema está utilizando una fuente óptica   |
| Blanco, parpadeando  | Ajuste del volumen   |
| Blanco, parpadeo doble cada 3 segundos                           | La entrada óptica está recibiendo audio multicanal o Dolby Digital que no puede reproducirse |
| Azul   | El sistema está reproduciendo una fuente de Bluetooth  |
| Azul, pulsación lenta  | Ningún dispositivo Bluetooth conectado   |
| Parpadeo azul  | Botón de emparejamiento Bluetooth  |
| Azul, parpadeo triple  | La lista de emparejamiento Bluetooth se ha borrado   |
| Verde  | El sistema está reproduciendo una fuente analógica   |
| Amarillo   | El sistema está reproduciendo una fuente de USB  |
| Pulsación del color de la fuente (blanco, azul, verde, amarillo) | Silenciado   |

ES

## Especificaciones

### Rendimiento del amplificador

|  |                        |
|--|------------------------|
| Salida de potencia (<1 % THD) .....                          | 2 x 32 W//4 Ω          |
| THD (a 20 W//4 Ω).....                                       | <0,2 %                 |
| Resp. frec. (juego DSP plano) .....                          | 20 Hz a 20 kHz ±0,5 dB |
| Índice S/N (aux, A-Wtd, vol. máx., ref 1 W) .....            | > 81 dB                |
| Sensibilidad de la entrada analógica (para 32 W) ....        | 395 mV                 |
| Sobrecarga de la entrada analógica .....                     | 2,2 V                  |
| Sensibilidad de la entrada de la miniclavija (para 32 W) ... | 220 mV                 |
| Sobrecarga de la entrada de la miniclavija .....             | 1,2 V                  |
| Salida Sub (100 Hz, a 32 W en los canales principales).....  | 380 mV                 |
| Entrada óptica.....  | Toslink                |
| Óptica en el rango de tasa de muestra .....                  | 24 bit/192 kHz         |
| USB en el rango de tasa de muestra                           | 24 bit/192 kHz         |

### Altavoces

|  |                 |
|--|-----------------|
| Tipo de carcasa ...Reverberación de 2 vías (trasera) |                 |
| Controlador de rango medio .....                     | 125 mm (5,0 in) |
| Altavoz de agudos .....                              | 22 mm (0,9 in)  |
| Frecuencia de cruce .....                            | 2,4 kHz         |
| Resp. frec. (libre, -6 dB) .....                     | 55 Hz - 22 kHz  |

### Encendido

|                                |                         |
|--------------------------------|-------------------------|
| Voltaje de suministro.....     | 100 V - 240 V, 50-60 Hz |
| Consumo máximo.....            | 125 W                   |
| Consumo en modo de espera..... | <0,5 vatios             |

### Bluetooth®

|                                   |   |
|-----------------------------------|---|
| Especificación de Bluetooth ..... | 5,0 V   |
| Mejoras de la música.....         | apt X, aptX HD®<br>apt X de baja latencia, SBC, AAC |

### Dimensiones

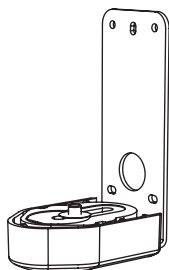
|                    |  |
|--------------------|--|
| (An x Al x P)..... | 170 mm x 279 mm x 296 mm<br>6 <sup>11</sup> / <sub>16</sub> " x 11" x 11 <sup>5</sup> / <sub>8</sub> " |
|--------------------|--|

### Peso

|                          |                       |
|--------------------------|-----------------------|
| Altavoz amplificado..... | 5,5 kg<br>12 lb, 2 oz |
| Altavoz pasivo .....     | 5,1 kg<br>11 lb, 4 oz |

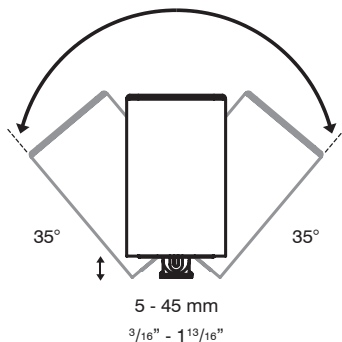
## Accesorios

Soporte de pared Q 3000WB



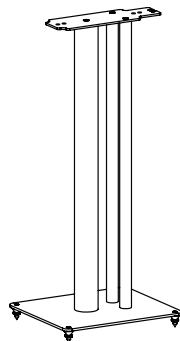
Dimensiones (An x Al x P):  
70 x 159 x 99 mm  
 $2\frac{3}{4}'' \times 6\frac{3}{32}'' \times 3\frac{7}{8}''$

Ángulo de ajuste Q 3000WB



5 - 45 mm  
 $\frac{3}{16}'' - 1\frac{13}{16}''$

Soporte de suelo Q 3000FSi



Dimensiones (An x Al x P):  
250 x 682 x 290 mm  
 $9\frac{7}{8}'' \times 29\frac{13}{16}'' \times 1\frac{17}{16}''$

ES

## Garantía

El sistema Q M20 tiene una garantía de los materiales y la manufactura de 1 año desde la fecha de compra. Durante el período de validez de la garantía, Q Acoustics reemplazará o reparará, según su criterio, cualquier producto que sea considerado defectuoso tras haber sido revisado por la empresa o su agente o distribuidor autorizado.

El mal uso y el desgaste normal no están cubiertos por la garantía.

Para reparar la unidad, es necesario entregarla al distribuidor autorizado. Si no es posible, póngase en contacto con Q Acoustics o con el distribuidor autorizado de su zona para determinar el procedimiento correspondiente de la garantía. Si es posible, debe utilizarse el material de embalaje original para devolver el producto, ya que los daños producidos durante el transporte de la unidad al centro de reparación no están cubiertos por la garantía. La garantía no afecta en modo alguno a sus derechos legales.

Puede ampliar la duración de la garantía a 2 años si registra su producto en

[www.qacoustics.co.uk/register](http://www.qacoustics.co.uk/register).

## Contacto

### Oficinas centrales

Q Acoustics  
Woodside 2  
Dunmow Road  
Bishops Stortford  
Hertfordshire, Reino Unido  
CM23 5RG

### Base de conocimientos

Para cualquier información adicional que no aparezca en este manual, preguntas técnicas y/o asistencia técnica, vaya a nuestra base de conocimientos en:

[support.qacoustics.co.uk](http://support.qacoustics.co.uk)

### Asistencia técnica

[support@qacoustics.co.uk](mailto:support@qacoustics.co.uk)



# SYSTÈME SANS FIL M20 HD

## MANUEL DU PROPRIÉTAIRE

### DÉCLARATION DE CONFORMITÉ CE

Ce produit M20 est conforme aux directives européennes suivantes, à leur description des instruments réglementaires et aux normes pertinentes, le cas échéant, comme suit :

Directive européenne 2004/108/CE « Compatibilité électromagnétique »

Normes applicables avec modifications : EN55032, EN55035

Directive européenne 2006/95/CEE « Basse tension »

Norme applicable avec modifications : EN62368

Norme européenne sans fil : EN300328, EN301489, IEC62321

Étape 1 de l'annexe II du règlement de la Commission (ErP) CE no. 1275/2008



Le mot et les logos Bluetooth sont des marques déposées de Bluetooth SIG, Inc. dont l'utilisation par Armour Home Electronics Ltd. est régie par une licence. Les marques de commerce de CSR plc ou d'une des sociétés du groupe, la marque aptX® et le logo aptX peuvent être enregistrés dans un ou plusieurs pays. Les autres marques et appellations commerciales, le cas échéant, sont celles de leurs propriétaires respectifs.

## Sommaire

|  |    |
|--|----|
| Consignes de sécurité .....  | 1  |
| Informations importantes – veuillez lire attentivement .....         | 1  |
| Élimination correcte de ce produit.....                              | 2  |
| Service après-vente .....  | 2  |
| Remarque importante concernant les utilisateurs du Royaume-Uni ..... | 2  |
| Notes .....  | 2  |
| Déclaration FCC (pour les clients américains) .....                  | 2  |
| Déclaration d'Industrie Canada (pour les clients canadiens) .....    | 2  |
| Introduction .....   | 3  |
| Contenu du colis.....  | 3  |
| Récapitulatif des caractéristiques : .....                           | 4  |
| Connectivité filaire .....   | 4  |
| Connectivité sans fil .....  | 4  |
| Acoustique .....   | 4  |
| Piles pour la télécommande .....                                     | 4  |
| Légende .....  | 5  |
| Connexions et commandes des enceintes à l'arrière .....              | 5  |
| Commandes de l'enceinte.....   | 6  |
| Télécommande .....   | 6  |
| Fonctionnement .....   | 7  |
| Connexion entre les enceintes .....                                  | 7  |
| Positionnement et montage des enceintes .....                        | 7  |
| Réglage de l'interrupteur d'égaliseur .....                          | 7  |
| Mise en veille automatique .....                                     | 7  |
| Lecture audio via Bluetooth.....                                     | 8  |
| Effacer la liste de couplage Bluetooth.....                          | 8  |
| Lecture audio par une sortie audio numérique optique.....            | 8  |
| Lecture audio par une sortie audio analogique .....                  | 8  |
| Lecture audio par une sortie USB .....                               | 8  |
| États de la LED.....   | 9  |
| Spécifications.....  | 9  |
| Performances de l'amplificateur .....                                | 9  |
| Enceintes.....   | 9  |
| Alimentation .....   | 9  |
| Bluetooth®.....  | 9  |
| Dimensions .....   | 9  |
| Poids.....   | 9  |
| Accessoires.....   | 10 |
| Garantie.....  | 10 |
| Contact .....  | 10 |
| Siège social.....  | 10 |
| Base de connaissances.....   | 10 |
| Informations sur le service après-vente.....                         | 10 |

# Consignes de sécurité

## Informations importantes – veuillez lire attentivement



Ce symbole indique que la documentation accompagnant le produit contient des instructions importantes relatives à son fonctionnement et son entretien.



Ce symbole indique qu'une tension dangereuse présentant un risque d'électrocution existe au sein de ce produit.



Ce produit est un appareil électrique à double isolation de classe II. Il a été conçu de telle sorte qu'il ne nécessite pas de connexion de sécurité à la terre.

Lire et conserver ces instructions.

Tenir compte de toutes les mises en garde et suivre toutes les instructions.

Ne pas utiliser ce produit à proximité d'eau.

Le nettoyer uniquement avec un chiffon doux et sec.

Ne pas bloquer les ouvertures d'aération.

Suivre les instructions d'installation du fabricant.

N'installez pas le produit près d'une source de chaleur telle qu'un radiateur, une bouche d'air chaud, un poêle ou d'autres appareils (notamment des amplificateurs) qui génèrent de la chaleur.

Protéger le cordon d'alimentation secteur afin qu'il ne soit ni piétiné ni pincé, en particulier au niveau des fiches, des prises de courant et du point de sortie du matériel.

Utilisez uniquement les équipements et accessoires spécifiés par le fabricant.

N'utiliser que le chariot, le socle, le trépied, le support ou la table spécifié par le fabricant ou vendu avec l'appareil. En cas d'utilisation d'un chariot, prenez les précautions nécessaires lors du déplacement de l'ensemble chariot/produit pour éviter les blessures causées par un basculement.

Débrancher le système lors des orages ou lorsqu'il reste inutilisé pendant de longues périodes.

Ne mettez pas en échec la fonction de sécurité de la fiche polarisée ou de mise à la terre. Une fiche polarisée comporte deux broches, dont l'une est plus large que l'autre. Une prise de mise à la terre possède également deux broches ainsi qu'une troisième broche de masse. La broche la plus large ou la troisième broche sont prévues à des fins de sécurité. Si la fiche fournie n'est pas adaptée à votre prise de courant murale, contactez un électricien afin qu'il remplace la prise obsolète.

Ne placer aucune source de flamme nue, par exemple une bougie, sur le produit.

Les batteries (un bloc de batteries ou des batteries installées) ne doivent pas être soumises à une chaleur excessive telle que celle provenant du soleil, du feu ou autre.

Prendre en compte tous les avertissements figurant sur le produit. Ne démonter le produit ou ne retirer ses couvercles en aucun cas, afin d'éviter tout risque d'incendie ou de décharge électrique.

La tension de fonctionnement sur secteur de ce produit est indiquée sur la plaque signalétique au dos du produit. Avant de brancher ce produit sur le secteur, vérifiez si la tension est la même que celle de votre alimentation secteur.

Attention : Les changements ou modifications qui n'ont pas été expressément approuvés par le fabricant pourraient faire perdre à l'utilisateur le droit d'utiliser ce produit.

Attention : L'utilisation de contrôles ou d'ajustements ou l'exécution de procédures autres que celles spécifiées dans le présent document peuvent entraîner une exposition dangereuse.

Avertissement : Le connecteur d'alimentation CA est utilisé en tant que dispositif de déconnexion de sécurité. Il doit rester facilement accessible après l'installation.

Avertissement : Afin de limiter les risques d'incendie ou de décharge électrique, ne pas exposer ce produit à la pluie ou à l'humidité. Ce produit ne doit pas être exposé à la chute de gouttes ou des éclaboussures et aucun objet rempli de liquide, tel qu'un vase de fleurs, ne doit être posé dessus.

Afin d'éviter tout risque d'étouffement, conserver tous les sacs et les emballages en polythène hors de portée des bébés et des enfants.

Tiers parties : Dans le cas peu probable où ce produit serait transmis à un tiers, ces instructions devront également lui être remises.

### Élimination correcte de ce produit



Ce marquage indique que, dans l'UE, ce produit ne doit pas être jeté avec les autres déchets ménagers. Afin de prévenir tout dommage possible à l'environnement ou à la santé humaine provoqué par une élimination incontrôlée des déchets,

recyclez ce produit de manière responsable pour promouvoir la réutilisation durable des ressources matérielles. Pour renvoyer le produit usagé, veuillez contacter les organismes de recyclage et de collecte ou le revendeur chez lequel vous l'avez acheté. Ils pourront prendre en charge ce produit dans le cadre d'un recyclage respectueux de l'environnement.



## Consignes de sécurité

### Service après-vente

Confier toute réparation à un technicien d'intervention qualifié.

Des réparations sont nécessaires si le produit a été endommagé d'une façon ou d'une autre, par exemple si le cordon ou la fiche d'alimentation sont endommagés, si du liquide a été renversé sur le produit ou si des objets sont tombés dessus, si le produit a été exposé à la pluie ou à l'humidité, ou bien s'il ne fonctionne pas normalement ou s'il est tombé.

Le matériel à réparer doit être renvoyé au revendeur ou au service après-vente de votre région.

### Remarque importante concernant les utilisateurs du Royaume-Uni

Le cordon d'alimentation Royaume-Uni (RU) se termine par une fiche homologuée pour le secteur RU équipée d'un fusible de 3 A. Si ce fusible doit être remplacé, un fusible ASTA ou BSI conforme à la norme BS1362 d'une intensité nominale de 3 A doit être utilisé.

## Notes

### Déclaration FCC (pour les clients américains)

L'appareil est conforme à la partie 15 du règlement FCC. Son utilisation est autorisée aux deux conditions suivantes : 1) Cet appareil ne doit pas produire de brouillage préjudiciable ; et 2) cet appareil doit accepter tout brouillage subi, même si ce brouillage est susceptible d'en compromettre le fonctionnement.

Cet appareil a été testé et déclaré conforme aux limites imposées à un appareil numérique de la Classe B, conformément à la partie 15 du règlement FCC. Ces limites ont été fixées pour fournir une protection raisonnable contre les brouillages préjudiciables dans une installation résidentielle. Ce matériel produit, utilise et peut émettre des ondes radio et, à défaut d'installation et d'utilisation conformes au mode d'emploi, il peut être source de brouillage préjudiciable pour les communications radio. Il n'est toutefois pas garanti qu'aucun brouillage ne se produira dans une installation donnée. Si ce matériel provoque des brouillages préjudiciables à la réception des ondes radio ou de télévision, ce qui peut être vérifié en mettant le matériel hors tension, puis sous tension, l'utilisateur est encouragé à tenter de remédier à ces brouillages à l'aide d'une ou plusieurs des mesures suivantes :

- Réorienter ou déplacer l'antenne réceptrice.
- Augmenter la distance entre le matériel et le récepteur.
- Brancher le matériel sur la prise d'un circuit différent de celui auquel le récepteur est raccordé.
- Consulter le revendeur ou un technicien radio / TV expérimenté pour obtenir de l'aide.

**ATTENTION !** Tous les changements ou modifications apportés à cet appareil qui ne sont pas expressément approuvés par le fabricant peuvent annuler le droit de l'utilisateur d'utiliser le matériel.

Cet appareil est conforme aux limites d'exposition aux rayonnements FCC définies pour un environnement non contrôlé. Cet appareil doit être installé et utilisé en prévoyant une distance minimale de 20 cm entre le radiateur et le corps de toute personne.

### Déclaration d'Industrie Canada (pour les clients canadiens)

CAN ICES-3 (B)/NMB-3(B)

L'appareil satisfait à l'exemption des limites d'évaluation de routine énoncées au paragraphe 2.5 du RSS 102 et est parfaitement conforme au RSS-102 RF. Les utilisateurs peuvent obtenir des informations sur l'exposition aux radio fréquences et leur conformité auprès d'Industry Canada.

Cet appareil est conforme aux normes RSS exemptes de licence d'Industry Canada. Son utilisation est autorisée aux deux conditions suivantes :

1. Cet appareil ne doit pas provoquer de brouillage préjudiciable ; et
2. Cet appareil doit accepter tout brouillage subi, même si ce brouillage est susceptible de compromettre son fonctionnement.

## Introduction

Merci d'avoir acheté le Système de musique sans fil HD M20 de Q Acoustics.

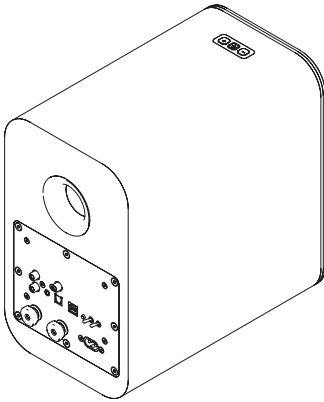
Ce guide d'utilisation a pour but de vous guider au cours de la configuration et de l'installation du système, en vous faisant profiter des performances optimales de ce produit.

Veuillez lire attentivement les instructions, les mises en garde et avis de sécurité importants avant d'installer et d'utiliser le produit, afin que son fonctionnement soit sûr et satisfaisant.

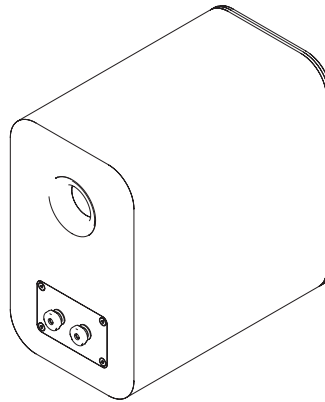
Le système Q M20 allie des performances stéréo exceptionnelles à une connectivité pratique et une amplification intégrée.

## Contenu du colis

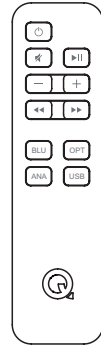
FR



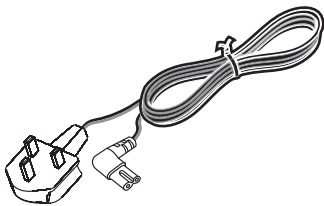
1 enceinte amplifiée



1 enceinte passive



1 télécommande



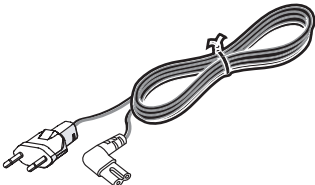
1 câble d'alimentation R.U.\*



2 bouchons en mousse



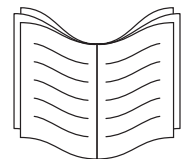
2 piles pour la télécommande



1 câble d'alimentation U.E.\*



1 câble d'enceinte de 4 m



1 guide d'utilisation

\*Les câble(s) d'alimentation fournis peuvent varier en fonction du modèle commercialisé.

## Récapitulatif des caractéristiques :

### Connectivité filaire

- Entrée audio analogique – Les prises phono stéréo ou la prise stéréo 3,5 mm permettent une connexion à une source audio analogique externe comme un lecteur CD.
- Entrée numérique optique – Permet une connexion à une source audio numérique externe telle qu'un téléviseur
- Sortie de l'enceinte – Prises stéréo de 4 mm, permettant une connexion entre l'enceinte amplifiée et l'enceinte passive
- Sortie USB – Une prise USB de type B, permettant la connexion à un appareil informatique
- Sortie sub – Une sortie de subwoofer phono pour une connexion à un subwoofer extérieur.

### Connectivité sans fil

- Bluetooth® HD – Une connexion sans fil internationale utilisée pour la diffusion de contenus audio depuis tous les appareils compatibles.
- AVRCP – Un protocole de contrôle Bluetooth qui synchronise la commande Volume et Muet de votre appareil, pour une intégration facile de notre speaker Q Acoustics.

### Acoustique

Interrupteur de position gauche / droite – Permet de placer l'enceinte amplifiée comme l'enceinte gauche ou droite de la paire d'enceintes, celle qui est la plus proche d'une prise de courant.

Interrupteur d'égaliseur – Contrôle du paramétrage d'égaliseur par l'utilisateur pour une meilleure performance acoustique. Peut être changé selon l'emplacement de l'enceinte, sa fixation ou la préférence de l'utilisateur.

FR

## Piles pour la télécommande

### Pose ou remplacement des piles

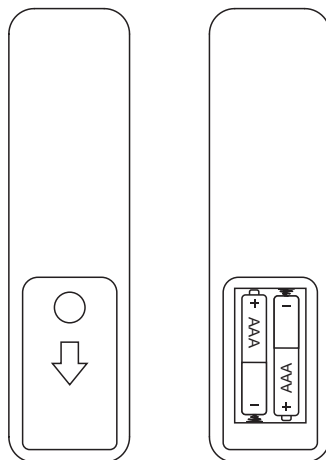
- Faites glisser le couvercle des piles de la télécommande dans le sens indiqué.
- Enlevez le couvercle des piles de la télécommande.
- Retirez les piles usagées (si nécessaire).
- Posez des piles neuves en respectant la polarité indiquée.

Lorsque vous remplacez les piles, utilisez uniquement le même type de piles AAA.

Les piles alcalines sont recommandées. D'autres types de piles peuvent fuir et causer des dommages.

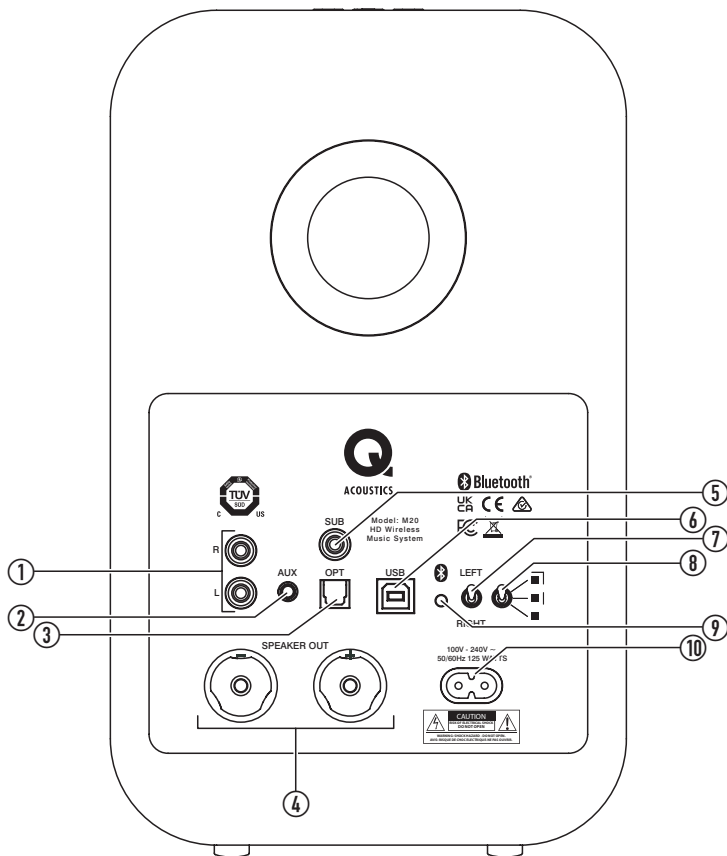
### Élimination des piles

Mettez les piles usagées au rebut conformément à la réglementation en matière de recyclage en vigueur dans votre région. NE court-circuitiez PAS les piles, NE les jetez PAS dans l'eau, NE les mettez PAS dans les ordures ménagères ou au feu.



## Légende

### Connexions et commandes des enceintes à l'arrière



**1. Phono analogique**

Connecter une source audio analogique

**2. Prise analogique 3,5 mm**

Connecter une source audio analogique (désactive les prises phono)

**3. Toslink optique**

Connecter une source audio numérique optique

**4. Sortie d'enceinte**

Connecter une enceinte passive

**5. Sub**

Connecter un subwoofer externe optionnel

**6. USB**

Connecter une source audio de l'ordinateur

**7. Position de l'enceinte**

Sélectionner la position gauche ou droite dans la pièce à partir de la position d'écoute

**8. Interrupteur d'égaliseur**

Permet de régler la réponse en basse fréquence de l'enceinte

**9. Bluetooth**

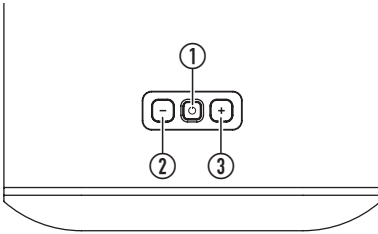
Appuyer pour passer au mode d'appariement BT

**10. Alimentation secteur**

Connecter à l'alimentation secteur 100 v à 240 v

## Légende

### Commandes de l'enceinte



#### 1. **Veille / Source**

Appuyez pour allumer. Une longue pression permet de passer en veille.

Appuyez pour changer la source.

Une très longue pression en veille permet de passer en veille profonde.

#### 2. **—**

Appuyez pour réduire le volume d'un seul incrément

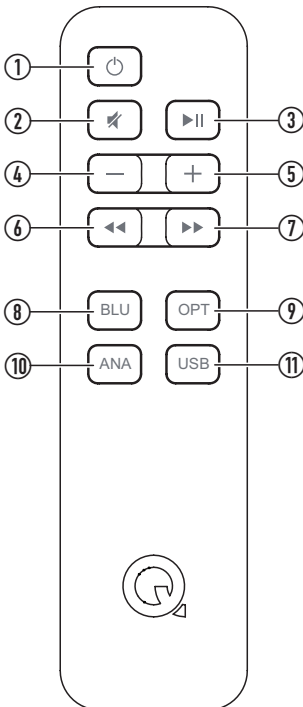
Maintenez la touche enfoncée pour réduire continuellement le volume

#### 3. **+**

Appuyez pour augmenter le volume d'un seul incrément.

Appuyez et maintenez la touche enfoncée pour augmenter continuellement le volume.

### Télécommande



#### 1.

Met le système en veille, active l'entrée optique

#### 2.

Coupe / rétablit le son des enceintes

#### 3.

Met en pause / lance l'audio uniquement sur l'entrée Bluetooth

#### 4. **—**

Une courte pression permet de réduire le volume d'un incrément

Appuyez et maintenez la touche enfoncée pour réduire continuellement le volume

#### 5. **+**

Une courte pression permet d'augmenter le volume d'un incrément

Appuyez et maintenez la touche enfoncée pour augmenter continuellement le volume

#### 6.

Saute une piste en arrière uniquement sur l'entrée Bluetooth

#### 7.

Saute une piste en avant uniquement sur l'entrée Bluetooth

#### 8. **BLU**

Sélectionne l'entrée Bluetooth, met le système en mode de couplage avec une longue pression

#### 9. **OPT**

Sélectionne l'entrée optique

#### 10. **ANA**

Sélectionne l'entrée analogique

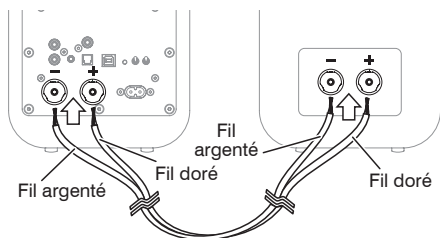
#### 11. **USB**

Sélectionne l'entrée USB

## Fonctionnement

### Connexion entre les enceintes

Tout d'abord, connectez le câble fourni de l'enceinte pour relier les deux enceintes. Les fils sont colorés différemment pour identifier la polarité + et -. Veillez à toujours utiliser le fil doré pour le + et le fil argenté pour le - aux deux extrémités.



### Positionnement et montage des enceintes

Placez simplement les enceintes de part et d'autre de l'emplacement d'écoute principal sur une surface plane appropriée, dans l'idéal à une distance d'environ 2 à 4 m (2 à 4 yards).

Vous pouvez également utiliser le Q M20 avec le support de sol Q 3000FSi ou le support mural Q 3000WB (disponible séparément), en suivant les instructions fournies avec ceux-ci.

Après le montage et la mise en place des enceintes, la bonne configuration peut être réalisée à l'aide des interrupteurs à l'arrière de l'enceinte amplifiée.

- L'enceinte amplifiée peut être placée à droite ou à gauche. Il suffit de régler le sélecteur gauche/droit correctement.

### Réglage de l'interrupteur d'égaliseur

- Vous pouvez régler la réponse en basse fréquence des enceintes en fonction du niveau de basse souhaité qui dépend de la position de l'enceinte par rapport à un mur, une étagère ou un angle. Essayez vos enceintes M20 dans chacune des trois positions, en sélectionnant celle qui vous satisfait le plus.
  - Cette position permet de maximiser la restitution des basses et convient si les enceintes sont éloignées des murs ou des coins.
  - Cette position permet de restituer les basses au point central et convient si les enceintes sont proches d'un mur ou d'une étagère.
  - Cette position permet de minimiser la restitution des basses et convient si les enceintes sont placées dans les coins de la pièce.

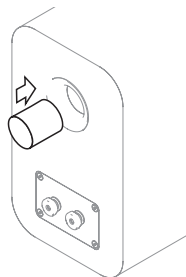
### Subwoofer optionnel

Un subwoofer peut être connecté à la sortie SUB en option. Le subwoofer doit comporter des contrôles de niveau et de la fréquence de recouvrement. Une fois le subwoofer connecté, mettez de la musique avec de bonnes basses et réglez les contrôles du subwoofer selon vos préférences acoustiques.

### Amortissement des événements

Les enceintes de la série Q M20 sont orientées vers l'arrière et conçues pour un fonctionnement optimal lorsqu'elles sont placées en retrait, c'est-à-dire à 200 mm environ d'un mur. Si vous positionnez vos enceintes à proximité d'un mur ou dans un coin, les bouchons en mousse doivent être insérés dans les événements arrière. Sinon, les basses pourraient être trop puissantes.

- S'assurer que les tampons sont bien ajustés dans les événements sans les insérer trop profondément.






*Vous trouverez que le niveau des basses est réduit, mais que la définition et l'extension des basses est augmentée.*

*Faites des essais pour déterminer vos préférences et essayez de modifier légèrement la position de l'enceinte pour optimiser le résultat final.*

### Mise sous tension

- Connectez le câble d'alimentation à l'enceinte amplifiée et branchez-le sur une prise de courant.

*Une fois sous tension, la LED de veille s'allume en rouge.*
- Pour allumer le système, appuyez sur  sur la télécommande ou la platine de commande.
- Pour mettre le système en veille, appuyez sur  sur la télécommande ou maintenez longuement la touche  enfoncée sur la platine de commande.

### Mise en veille automatique

Le système Q M20 comporte une fonction de veille automatique permettant d'économiser l'énergie. Si aucune musique n'est lue pendant vingt minutes, le système se met automatiquement en veille.

## Fonctionnement

### Lecture audio via Bluetooth

Vous pouvez utiliser de nombreux appareils Bluetooth pour une lecture audio par le système Q M20. Tout d'abord, vous devez coupler votre appareil Bluetooth à l'enceinte en suivant les instructions suivantes.

1. Appuyez sur le bouton d'entrée Bluetooth de la télécommande et maintenez-le enfoncé jusqu'à ce que la LED bleue clignote sur l'enceinte. Vous pouvez également appuyer sur le bouton Bluetooth situé à l'arrière de l'enceinte amplifiée, la LED clignote en bleu.
2. Sélectionnez les paramètres Bluetooth de votre appareil, et recherchez Q M20 HD dans Appareils.
3. Sélectionnez l'appareil Q M20 HD dans la liste des nouveaux appareils Bluetooth.

*Une fois connectée, la LED cesse de clignoter et reste allumée en bleu.*

4. Vous pouvez à présent lire les contenus audio de votre appareil.

Après avoir couplé un appareil, il vous suffit de vous connecter au Q M20 la fois suivante, ce qui activera et sélectionnera l'entrée Bluetooth.

Lors de la lecture audio, vous pouvez utiliser l'appareil, la télécommande ou les boutons sur l'enceinte amplifiée pour modifier le volume. Vous pouvez également utiliser la télécommande pour lire, mettre en pause et ignorer des pistes.

### Effacer la liste de couplage Bluetooth


Vous pouvez effacer tous les appareils de la mémoire de la liste de couplage Bluetooth si cela est nécessaire en suivant les étapes ci-après :

1. Mettez les enceintes en mode de couplage Bluetooth en appuyant longuement sur le bouton source BLU de la télécommande, la LED clignotera en bleu.
2. Appuyez de nouveau sur le bouton source BLU de la télécommande et maintenez-le enfoncé jusqu'à ce que la LED s'éteigne, puis clignote trois fois.

*La liste de couplage Bluetooth est maintenant effacée de la mémoire et les appareils doivent se coupler de nouveau pour pouvoir se connecter.*


### Lecture audio par une sortie audio numérique optique

Utilisez un câble optique TOSLINK standard pour connecter votre source audio numérique à l'enceinte amplifiée Q M20.

- Appuyez sur le bouton OPT de la télécommande ou appuyez sur le bouton  de l'enceinte jusqu'à ce que la LED s'allume en blanc.

Vous pouvez utiliser la télécommande ou les boutons sur l'enceinte amplifiée pour modifier le volume.

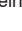
### Lecture audio par une sortie audio analogique

- Utilisez les prises phono ou la prise stéréo 3,5 mm pour connecter votre source audio analogique. Appuyez sur le bouton ANA de la télécommande ou appuyez sur le bouton  de l'enceinte jusqu'à ce que la LED s'allume en vert.

Vous pouvez utiliser la télécommande ou les boutons sur l'enceinte amplifiée pour modifier le volume.

### Lecture audio par une sortie USB

Reliez votre appareil informatique à l'enceinte amplifiée Q M20 au moyen d'un câble USB de type A-B.

- Appuyez sur le bouton USB de la télécommande ou appuyez sur le bouton  de l'enceinte jusqu'à ce que la LED s'allume en jaune.

Vous devrez ensuite télécharger le pilote USB approprié sur le site web de Q Acoustics ici :

[support.qacoustics.co.uk](http://support.qacoustics.co.uk)

Enregistrez le fichier sur votre ordinateur, puis suivez les instructions suivantes pour Windows 10

1. Ouvrez « Gestionnaire de périphériques ».
2. Sélectionnez « USB2.0 High-Speed True HD Audio » dans « Contrôleurs son, vidéo et jeu ».
3. Sélectionnez « Pilote » et ensuite « Mettre à jour le pilote ».
4. Sélectionnez « Rechercher des pilotes sur mon ordinateur », puis accédez au dossier téléchargé et sélectionnez
5. Windows mettra alors à jour le pilote.
6. Une fois que vous avez terminé, vous pouvez sélectionner « SPDIF (USB2.0 High-Speed True HD Audio) » dans la sélection d'enceintes.
7. Ouvrez votre application de lecture de musique et savourez.

Vous pouvez utiliser la télécommande ou les boutons sur l'enceinte amplifiée pour modifier le volume.

## Fonctionnement

### États de la LED

|  |   |
|--|---|
| Rouge  | Le système est en veille  |
| Rouge foncé  | Le système est en veille profonde   |
| Blanc  | Le système lit la source optique  |
| Blanc, clignotant  | Réglage du volume   |
| Blanc, double clignotement toutes les 3 secondes           | L'entrée optique reçoit un signal audio numérique multicanal ou dolby qui ne peut pas être lu |
| Bleu   | Le système lit la source Bluetooth  |
| Bleu, impulsion lente                                      | Aucun appareil Bluetooth connecté   |
| Bleu, clignotant   | Mode de couplage Bluetooth  |
| Bleu, triple clignotement                                  | La liste de couplage Bluetooth a été effacée  |
| Vert   | Le système lit la source analogique   |
| Jaune  | Le système lit la source USB  |
| Couleur de la source, impulsion (blanc, bleu, vert, jaune) | Muet activé   |

FR

## Spécifications

### Performances de l'amplificateur

Puissance de sortie (<1 % THD).....2 x 32 W//4 Ω

THD (à 20 W//4 Ω)..... <0,2 %

Réponse en fréquence plate (DSP Pas d'égalisation).....20 Hz à 20 kHz ± 0,5 dB

Rapport Signal/Bruit (aux, A-Wtd, vol. maxi., réf 1 W).  
> 81 dB

Sensibilité de l'entrée analogique (pour 32 W) .....  
395 mV

Surcharge de l'entrée analogique .....2,2 V

Sensibilité de l'entrée mini-jack .....  
220 mV

Surcharge de l'entrée mini-jack.....1,2 V

Sortie sub (100 Hz, aux principaux canaux 32 W) .....  
380 mV

Optique dans .....Toslink

Optique dans la plage de taux d'échantillonnage ....  
24 bits/192 kHz

USB dans la plage de taux d'échantillonnage .....  
24 bits/192 kHz

### Enceintes

Type d'enceinte Reflex 2 voies (à contre résonnance)

Médium .....125 mm (5,0")

Tweeter.....22 mm (0,9")

Fréquence de recouvrement .....2,4 kHz

Réponse en fréquence (libre, -6 dB) ..55 Hz - 22kHz

### Alimentation

Tension d'alimentation ..... 100 V - 240 V, 50-60 Hz

Consommation maximale .....125 W

Consommation en veille ..... <0,5 Watt

### Bluetooth®

Spécification Bluetooth .....V5.0

Prise en charge de la sortie sans perte  
..... apt X, aptX HD®

..... apt X Faible latence, SBC, AAC

### Dimensions

(L x H x P)..... 170 mm x 279 mm x 296 mm

6<sup>11</sup>/<sub>16</sub>" x 11" x 11<sup>5</sup>/<sub>8</sub>"

### Poids

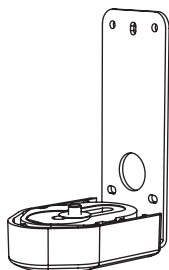
Enceinte amplifiée..... 5,5 kg (12 lb 2 oz)

Enceinte passive ..... 5,1 kg (11 lb 4 oz)



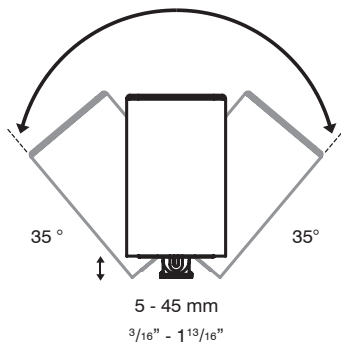
## Accessoires

Support mural Q 3000WB

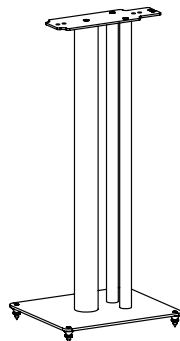


Dimensions (LxHxP) : 70 x  
159 x 99 mm  
 $2\frac{3}{4}'' \times 6\frac{3}{32}'' \times 3\frac{7}{8}''$

Angle d'ajustement Q 3000WB



Support de sol Q 3000FSi



Dimensions (L x H x P) :  
250 x 682 x 290 mm  
 $9\frac{7}{8}'' \times 29\frac{13}{16}'' \times 1\frac{17}{16}''$

FR

## Garantie

Le système Q M20 est garanti contre tout vice de matériau et de main-d'œuvre pendant une période d'un an à compter de la date d'achat. Pendant la période de garantie, Q Acoustics réparera ou remplacera à sa discrétion tout produit s'il s'avère être défectueux après inspection par la société ou son distributeur ou agent agréé.

La mauvaise utilisation et l'usure normale ne sont pas couvertes par la garantie.

Les produits à réparer doivent être retournés au revendeur, en premier lieu. Si cela est impossible, veuillez contacter Q Acoustics ou son distributeur agréé dans votre région afin de connaître la procédure à suivre pour mettre en jeu la garantie. Si possible, l'emballage d'origine doit être utilisé pour renvoyer le produit, car les dommages subis pendant le transport jusqu'au centre de réparation ne sont pas couverts par la garantie. La garantie n'affecte en aucune façon vos droits légaux.

La garantie peut être prolongée pour une durée de 2 ans en enregistrant votre produit sur le site [www.qacoustics.co.uk/register](http://www.qacoustics.co.uk/register).

## Contact

### Siège social

Q Acoustics  
Woodside 2  
Dunmow Road  
Bishop's Stortford  
Hertfordshire, Royaume-Uni  
CM23 5RG

### Base de connaissances

Pour tout complément d'information à ce guide, toutes questions et/ou demandes d'assistance, veuillez consulter notre portail de base de connaissances en ligne à l'adresse suivante :

[support.qacoustics.co.uk](http://support.qacoustics.co.uk)

### Informations sur le service après-vente

[support@qacoustics.co.uk](mailto:support@qacoustics.co.uk)



## SISTEMA WIRELESS M20 HD

### MANUALE UTENTE

#### **DICHIARAZIONE DI CONFORMITÀ CE**

I prodotti M20 sono conformi alle seguenti direttive CEE, ai loro strumenti di legge di supporto e alle norme pertinenti ove applicabili come segue

Direttiva 2004/108/CE del Consiglio CE sulla compatibilità elettromagnetica

Standard applicabili con relative modifiche: EN55032 EN55035

Direttiva 2006/95/CEE sulla bassa tensione

Standard applicabile con relative modifiche: EN62368

UE Wireless: EN300328 / EN301489, IEC62321

Fase 1 dell'allegato II del Regolamento della Commissione CE (ErP) n. 1275/2008



Il marchio e i logo Bluetooth sono marchi commerciali registrati di proprietà di Bluetooth SIG, Inc.; l'uso di tali marchi da parte Armour Home Electronics Ltd. avviene su concessione di licenza. Il marchio aptX e il logo aptX sono marchi registrati di CSR plc o una delle società affiliate e possono essere registrati in una o più giurisdizioni. Altri marchi e nomi commerciali sono quelli dei rispettivi proprietari.

## Sommario

|  |    |
|--|----|
| Informazioni per la sicurezza .....                              | 1  |
| Informazioni importanti: si prega di leggere con attenzione..... | 1  |
| Corretto smaltimento del prodotto .....                          | 1  |
| Manutenzione.....  | 2  |
| Informazione importante per gli utenti nel Regno Unito .....     | 2  |
| Note.....  | 2  |
| Dichiarazione FCC (per clienti USA).....                         | 2  |
| Dichiarazione Industry Canada (per clienti canadesi).....        | 2  |
| Introduzione .....   | 3  |
| Contenuto della confezione .....                                 | 3  |
| Riepilogo delle caratteristiche .....                            | 4  |
| Connettività cablata .....                                       | 4  |
| Connettività wireless .....                                      | 4  |
| Acustica.....  | 4  |
| Batterie telecomando.....  | 4  |
| Legenda .....  | 5  |
| Collegamenti e comandi posteriori degli altoparlanti.....        | 5  |
| Comandi degli altoparlanti.....                                  | 6  |
| Telecomando.....   | 6  |
| Funzionamento .....  | 7  |
| Collegamento tra gli altoparlanti.....                           | 7  |
| Posizione e montaggio dell'altoparlante .....                    | 7  |
| Standby automatico.....  | 7  |
| Riproduzione audio tramite Bluetooth.....                        | 8  |
| Cancellazione dell'elenco di accoppiamento Bluetooth.....        | 8  |
| Riproduzione audio tramite digitale ottico.....                  | 8  |
| Riproduzione audio tramite analogico.....                        | 8  |
| Riproduzione audio tramite USB .....                             | 8  |
| Stati dei LED.....   | 9  |
| Specifiche.....  | 9  |
| Prestazioni dell'amplificatore.....                              | 9  |
| Altoparlanti .....   | 9  |
| Potenza .....  | 9  |
| Bluetooth®.....  | 9  |
| Dimensioni .....   | 9  |
| Peso .....   | 9  |
| Accessori.....   | 10 |
| Garanzia .....   | 10 |
| Contattaci .....   | 10 |
| Sede.....  | 10 |
| Knowledge base (Base di conoscenza).....                         | 10 |
| Informazioni sull'assistenza.....                                | 10 |

## Informazioni per la sicurezza

### Informazioni importanti: si prega di leggere con attenzione



Questo simbolo indica che vi sono importanti istruzioni per il funzionamento e la manutenzione nel manuale che accompagna il presente prodotto.



Questo simbolo indica che all'interno di questo dispositivo è presente una tensione pericolosa che costituisce un rischio di scosse elettriche.



Si tratta di un'apparecchiatura elettrica di Classe II o con doppio isolamento. Essa è stata progettata in modo tale da non richiedere un collegamento a terra di sicurezza.

Leggere e conservare le presenti istruzioni.

Prestare attenzione a tutte le avvertenze e seguire tutte le istruzioni.

Non utilizzare questo dispositivo vicino all'acqua.

Pulire esclusivamente con un panno morbido asciutto.

Non ostruire nessuna delle aperture per la ventilazione.

Installare in conformità alle istruzioni fornite dal produttore.

Non installare nei pressi di fonti di calore, come caloriferi, diffusori di aria calda, fornelli o altre apparecchiature (compresi amplificatori) che producono calore.

Proteggere il cavo di alimentazione in modo che non possa essere calpestato o schiacciato, in particolare in corrispondenza delle spine, delle prese di collegamento e dei punti di uscita dall'apparecchio.

Utilizzare esclusivamente attacchi/accessori specificati dal produttore.

Usare solo con carrello, supporto, treppiede, staffa o tavola specificati dal produttore, o venduti con il dispositivo. Quando si utilizza un carrello, prestare cautela nello spostare il carrello / il dispositivo per evitare lesioni da ribaltamento.

Scollegare l'unità durante i temporali o in caso di inutilizzo per periodi di tempo prolungati.

Non compromettere la funzione di sicurezza della spina di tipo polarizzato o con messa a terra. Una spina polarizzata è dotata di due lame, di cui una più ampia dell'altra. Una spina con messa a terra è dotata di due lame più un terzo polo per la terra. La lama più ampia o il terzo polo sono forniti per la vostra sicurezza. Se la spina fornita non è adatta alla propria presa elettrica, consultare un elettricista per la sostituzione della presa obsoleta.

Non posizionare sul prodotto alcuna sorgente di fiamma viva, ad esempio candele.

Le batterie (un pacco batteria o batterie installate) non devono essere sottoposte a calore eccessivo come luce solare, fuoco o simili.

Prendere nota di tutte le avvertenze presenti sull'apparecchiatura; non smontare l'unità o rimuovere le coperture in alcun caso al fine di evitare il rischio di incendio o di scariche elettriche.

La tensione di rete operativa di questa unità è indicata su una targhetta sul retro dell'unità. Prima di collegare alla rete elettrica, verificare che la tensione sia la stessa della rete elettrica.

Attenzione: Cambiamenti o modifiche non espressamente approvate dal produttore possono invalidare la facoltà dell'utilizzatore di azionare questo dispositivo.

Attenzione: L'utilizzo di controlli o regolazioni o l'esecuzione di procedure diverse da quelle specificate nel presente documento può provocare un'esposizione pericolosa.

Avvertenza: Il connettore di ingresso CA è utilizzato come dispositivo di scollamento di sicurezza. Esso deve essere facilmente accessibile dopo l'installazione.

Avvertenza: Al fine di ridurre il rischio di incendio o di scosse elettriche, non esporre il prodotto alla pioggia o all'umidità. Questo prodotto non deve essere esposto a gocciolamenti o spruzzi e nessun oggetto pieno di liquidi, ad esempio un vaso di fiori, deve essere collocato sul prodotto.

Al fine di evitare il rischio di soffocamento, tenere lontano dalla portata di neonati e bambini tutti i sacchetti di polietilene e gli imballaggi.

Terze parti: Nel caso improbabile, in cui il prodotto venga passato a una terza parte, consegnare le presenti istruzioni di funzionamento assieme al prodotto.

### Corretto smaltimento del prodotto



Questo marchio indica che, su tutto il territorio UE, il prodotto non deve essere smaltito assieme ad altri rifiuti domestici. Al fine di evitare possibili danni all'ambiente o alla salute umana dovuti allo smaltimento incontrollato dei rifiuti, riciclare il prodotto responsabilmente per promuovere il riutilizzo sostenibile delle risorse materiali. Per restituire il dispositivo usato, utilizzare i sistemi di reso e raccolta oppure contattare il rivenditore presso cui è stato effettuato l'acquisto. Il rivenditore può ritirare il prodotto per attuarne il riciclo in condizioni ambientali sicure.

## Informazioni per la sicurezza

### Manutenzione

Per la manutenzione, richiedere l'assistenza di personale qualificato.

La manutenzione è necessaria nel caso in cui l'unità venga in qualsiasi modo danneggiata, ad esempio quando il cavo o la spina di alimentazione sono danneggiati, vengono versati liquidi sul prodotto, sono caduti oggetti all'interno dell'unità, l'apparecchiatura è stata esposta alla pioggia o all'umidità, la stessa non funziona in modo normale o è caduta.

L'equipaggiamento per la manutenzione deve essere restituito al fornitore, o al rappresentante di zona.

### Informazione importante per gli utenti nel Regno Unito

Il cavo di alimentazione per il Regno Unito termina con una spina approvata dotata di fusibile a 3 A. Se è necessario sostituire il fusibile, occorre utilizzare un fusibile di tipo BS1362 a 3 A approvato ASTA o BSI.

## Note

### Dichiarazione FCC (per clienti USA)

Questo dispositivo è conforme alla Parte 15 delle norme FCC. Il funzionamento è soggetto alle due condizioni seguenti: (1) questo dispositivo potrebbe non causare interferenze dannose e (2) questo dispositivo deve accettare qualsiasi interferenza ricevuta, incluse interferenze che potrebbero causare un funzionamento indesiderato.

Questa apparecchiatura è stata testata e trovata conforme ai limiti di un dispositivo digitale della Classe B, in conformità alla parte 15 delle norme FCC. Questi limiti sono designati a fornire una protezione ragionevole contro interferenze dannose in un'installazione residenziale. Questa apparecchiatura genera, utilizza e può irradiare energia in radiofrequenza e, se non installata e utilizzata conformemente al manuale di istruzioni, potrebbe causare interferenze dannose alle comunicazioni radio. Tuttavia, non esiste alcuna garanzia che non si verifichino interferenze in una particolare installazione. Se questa apparecchiatura causa interferenze dannose alla ricezione radio o televisiva, che possono essere determinate accendendo e spegnendo l'apparecchiatura, si consiglia all'utente di provare a correggere l'interferenza adottando almeno una delle seguenti misure:

- Riorientare o riposizionare l'antenna ricevente.
- Aumentare la distanza tra apparecchiatura e ricevitore.
- Collegare l'apparecchiatura a una presa su un circuito diverso da quello a cui è collegato il ricevitore.
- Consultare il rivenditore o un tecnico radio/TV esperto per ricevere assistenza.

**ATTENZIONE!** Qualsiasi cambiamento o modifica apportata a questo dispositivo che non sia espressamente approvato/a dal produttore può annullare l'autorizzazione dell'utente a utilizzare l'apparecchiatura.

Questa apparecchiatura è conforme ai limiti di esposizione alle radiazioni della FCC stabiliti per un ambiente non controllato. Questa apparecchiatura deve essere installata e utilizzata con una distanza minima di 20 cm tra il radiatore e il proprio corpo.

### Dichiarazione Industry Canada (per clienti canadesi)

CAN ICES-3 (B)/NMB-3(B)

Il dispositivo soddisfa l'esenzione dai limiti di valutazione ordinaria stabiliti nella sezione 2.5 di RSS 102 ed è pienamente conforme a RSS-102 RF. Gli utenti possono ottenere informazioni sull'esposizione a RF e sulla conformità da Industry Canada.

Questo dispositivo è conforme agli standard RSS esenti da licenza di Industry Canada. Il funzionamento è soggetto alle due condizioni seguenti:

1. Questo dispositivo potrebbe non causare interferenze dannose e
2. Questo dispositivo deve accettare qualsiasi interferenza ricevuta, incluse le interferenze che potrebbero causare un funzionamento indesiderato.

## Introduzione

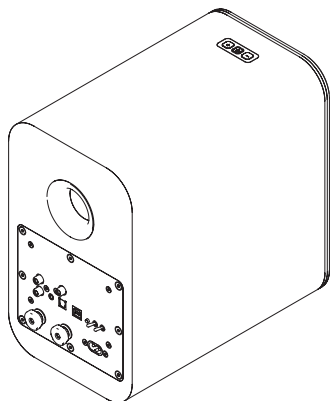
Grazie per aver acquistato il sistema musicale wireless Q Acoustics M20 HD.

Il presente manuale ha lo scopo di guidare l'utilizzatore nell'installazione e configurazione dell'unità e di aiutarlo ad ottenere dal prodotto le prestazioni ottimali.

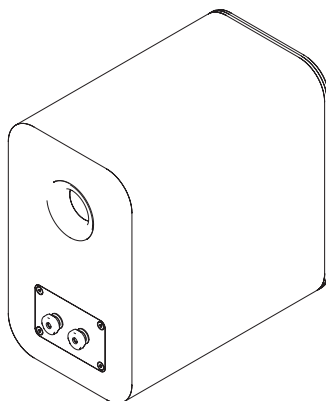
Si prega di leggere con attenzione le istruzioni, le informazioni e avvertenze importanti per la sicurezza prima di installare e utilizzare il prodotto, in modo da garantirne il funzionamento soddisfacente e in sicurezza.

Il sistema Q M20 unisce prestazioni audio stereo eccezionali ad una comoda connettività e amplificazione integrata.

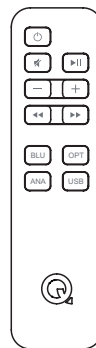
## Contenuto della confezione



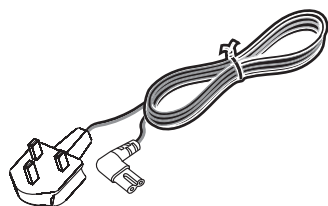
1 altoparlante amplificato



1 altoparlante passivo



1 telecomando



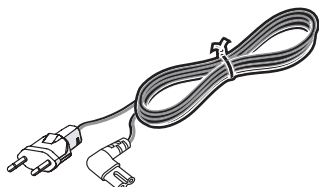
1 cavo di alimentazione UK\*



2 inserti di schiuma



2 batterie per telecomando



1 cavo di alimentazione UE\*



1 cavo di 4 m per altoparlanti



1 manuale dell'utente

\*I cavi di alimentazione forniti possono variare a seconda della versione del mercato.

## Riepilogo delle caratteristiche

### Connettività cablata

- Input audio analogico – Le prese stereo fono o i jack stereo da 3,5 mm consentono il collegamento ad una sorgente audio analogica esterna come un lettore CD
- Input digitale ottico- Consente la connessione a una sorgente audio digitale esterna come una TV
- Uscita altoparlante - Prese stereo da 4 mm, che consentono il collegamento dall'altoparlante amplificato all'altoparlante passivo
- USB - Una presa USB di tipo B, che consente il collegamento a un computer
- Uscita Sub – Un'uscita subwoofer fono per connessione ad un subwoofer esterno.

### Connettività wireless

- Bluetooth® HD – Una connessione internazionale wireless utilizzata per lo streaming di audio da tutti i dispositivi compatibili
- AVRCP - Protocollo di controllo Bluetooth che sincronizza il controllo volume e muto del dispositivo per una facile integrazione dell'altoparlante Q Acoustics.

### Acustica

Interruttore di posizione sinistra / destra: consente di posizionare l'altoparlante amplificato come altoparlante sinistro o destro della coppia di altoparlanti, a seconda di quale sia il più vicino a una presa di corrente.

Switch EQ – Controllo utente dell'impostazione EQ per un'ottima performance acustica. Variabile a seconda della posizione e del montaggio dell'altoparlante o delle preferenze dell'utente.

IT

## Batterie telecomando

### Inserimento o sostituzione delle batterie

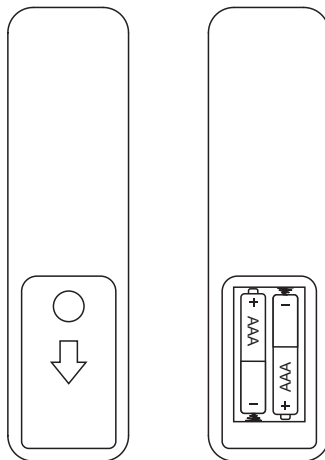
- Far scorrere il coperchio delle batterie dal telecomando nella direzione indicata.
- Sollevare il coperchio del telecomando.
- Rimuovere le batterie scadute (se necessario).
- Inserire nuove batterie rispettando la polarità come indicato.

Quando si sostituiscono le batterie, utilizzare solo lo stesso tipo AAA.

Si consigliano batterie alcaline. Altri tipi di batterie potrebbero perdere liquido e causare danni.

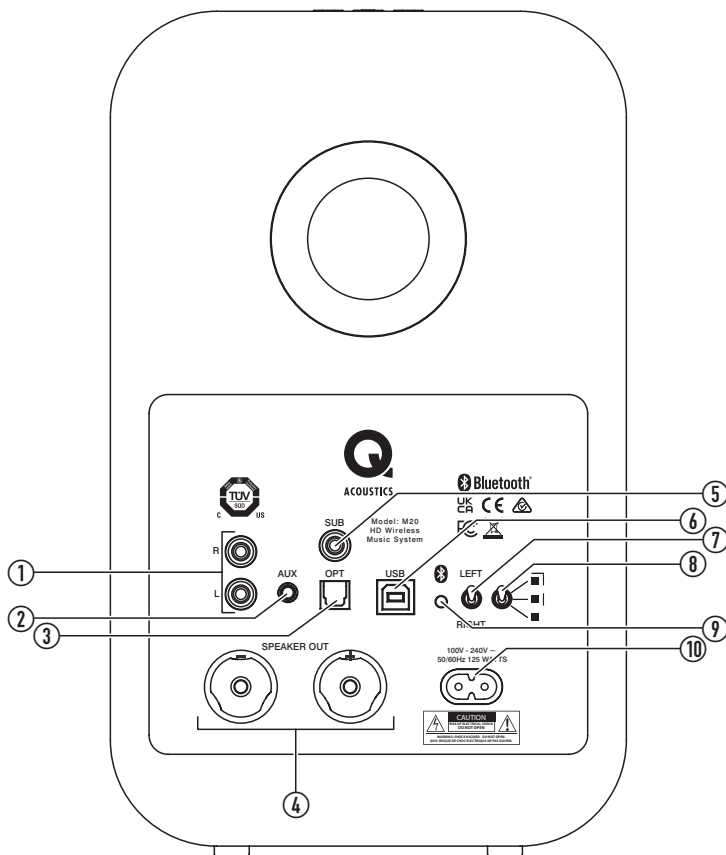
### Smaltimento delle batterie

Smaltire le batterie usate rispettando le normative sul riciclaggio nella propria zona. NON cortocircuitare le batterie né gettarle nell'acqua, nei rifiuti comuni o nel fuoco.



## Legenda

### Collegamenti e comandi posteriori degli altoparlanti



**1. Fono analogico**

Collega la sorgente audio analogica

**2. Jack analogico da 3,5 mm**

Collega la sorgente audio analogica (disabilita le prese fono)

**3. Toslink ottico**

Collega la sorgente audio ottica digitale

**4. Uscita altoparlante**

Collega gli altoparlanti passivi

**5. Sub**

Collegare un subwoofer esterno opzionale

**6. USB**

Collega la sorgente audio del computer

**7. Posizionamento degli altoparlanti**

Selezionare la posizione sinistra o destra nella stanza dalla posizione di ascolto

**8. Switch EQ**

Regola la risposta dei bassi del diffusore

**9. Bluetooth**

Premere per accedere alla modalità di associazione BT

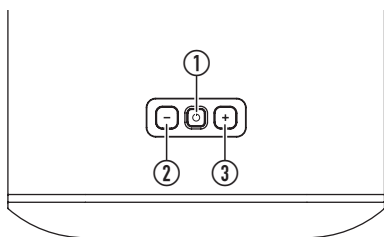
**10. Alimentazione CA**

Collegare all'alimentazione di rete 100 v - 240 v



## Legenda

### Comandi degli altoparlanti



#### 1. Standby/Sorgente

Premere per accendere, premere a lungo per impostare in standby

Premere per cambiare la sorgente

Premere molto a lungo in modalità standby farà entrare in standby profondo

#### 2. —

Premere per diminuire il volume di un singolo passo

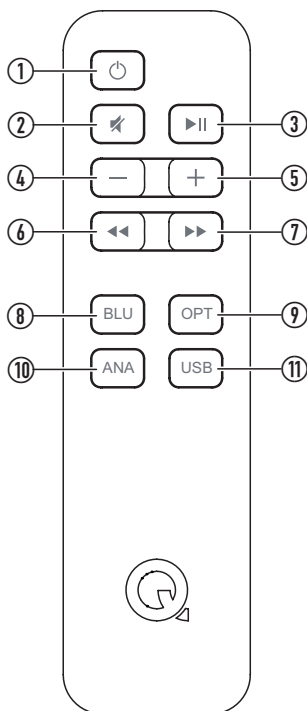
Premere e tenere premuto per diminuire il volume in modo continuo

#### 3. +

Premere per aumentare il volume di un singolo passo

Premere e tenere premuto per aumentare il volume in modo continuo

### Telecomando



#### 1.

Mette il sistema in standby, si accende con l'ingresso ottico

#### 2.

Disattiva/attiva gli altoparlanti

#### 3.

Mette in pausa/riproduce l'audio solo sull'ingresso Bluetooth

#### 4. —

Una breve pressione diminuisce il volume di un livello

Tenere premuto diminuirà il volume in modo continuo

#### 5. +

Una breve pressione aumenta il volume di un livello

Premere e tenere premuto aumenterà continuamente il volume

#### 6.

Porta indietro di un brano solo sull'ingresso Bluetooth

#### 7.

Porta avanti di un brano solo sull'ingresso Bluetooth

#### 8. BLU

Seleziona l'ingresso Bluetooth, imposta il sistema in modalità di accoppiamento con una pressione prolungata

#### 9. OPT

Seleziona ingresso ottico

#### 10. ANA

Seleziona l'ingresso analogico

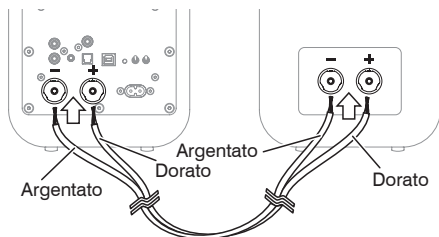
#### 11. USB

Seleziona l'ingresso USB

## Funzionamento

### Collegamento tra gli altoparlanti

Innanzitutto, collegare il cavo dell'altoparlante in dotazione tra i due altoparlanti. I fili sono colorati in modo diverso per identificare la polarità + e - . Assicurarsi di usare sempre il filo dorato per + e il filo argentato per - su entrambe le estremità.



### Posizione e montaggio dell'altoparlante

Basta posizionare gli altoparlanti su entrambi i lati della posizione di ascolto principale, idealmente a una distanza di circa 2,0 - 4,0 m l'uno dall'altro.

In alternativa è possibile utilizzare Q M20 con il piedistallo Q 3000FSi o la staffa a parete Q 3000WB (disponibile separatamente), seguire le istruzioni fornite con questi accessori.

Una volta assemblati e posizionati gli altoparlanti, è possibile effettuarne la configurazione corretta utilizzando gli interruttori sul retro dell'altoparlante.

- Il diffusore amplificato può essere posizionato sia a destra sia a sinistra, è sufficiente impostare correttamente lo switch sinistra/destra.

### Regolazione dello switch EQ

- È possibile regolare la risposta dei bassi dei diffusori in modo da adattarla al livello desiderato, che è influenzato dalla posizione del diffusore in relazione a una parete, uno scaffale o un angolo. Provate ad ascoltare i vostri diffusori M20 in ognuna delle tre posizioni, scegliendo quella che vi soddisfa di più.

■ Questa posizione darà il maggior risalto ai bassi ed è adatta se i diffusori sono posizionati lontano dalle pareti o dagli angoli.

■ | Questa posizione darà un risalto medio ai bassi ed è adatta se i diffusori sono posizionati vicino a una parete o su uno scaffale.

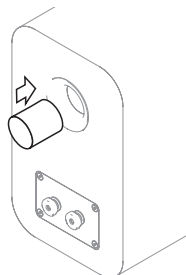
■ | Questa posizione darà il risalto minore ai bassi ed è adatta se i diffusori sono posizionati negli angoli della stanza.

### Subwoofer opzionale

Come opzione, è possibile collegare un subwoofer alla presa SUB. Il subwoofer dovrebbe includere comandi di livello e crossover. Con il subwoofer collegato, si riproduce la musica con un buon contenuto di bassi e si regola i comandi del subwoofer per il suono che si preferisce.

### Smorzamento delle porte

Gli altoparlanti della serie 3000i sono dotati di porte posteriori e progettati per funzionare al meglio se gli si lascia dello spazio posteriormente, ossia circa 200 mm di distanza dalla parete. Se si posizionano gli altoparlanti vicino a una parete / angolo si dovrebbero apporre gli inserti di schiuma nelle porte posteriori o i toni bassi potrebbero risultare eccessivi.



- Assicurarsi che gli inserti siano montati saldamente nella porta senza inserirli troppo in profondità.




*Si noterà che il livello dei bassi è ridotto ma la loro definizione ed estensione è aumentata.*

*Occorre sperimentare in base alle proprie preferenze e provare a fare piccoli cambiamenti nella posizione dell'altoparlante per ottimizzare il risultato finale.*

### Accensione

- Collegare il cavo di alimentazione all'altoparlante amplificato e inserirlo in una presa di corrente.

*Una volta acceso, il LED di standby sarà rosso.*

- Per accendere il sistema, premere  sul telecomando sul pannello di controllo.
- Per accendere il sistema, premere  sul telecomando o premere a lungo  sul pannello di controllo.

### Standby automatico

Il sistema Q M20 include una funzione di standby automatico per risparmio energetico. Se non viene riprodotta musica per venti minuti, il sistema si imposta automaticamente in Standby.

### Riproduzione audio tramite Bluetooth

È possibile utilizzare molti dispositivi Bluetooth per riprodurre l'audio tramite il sistema Q M20. Innanzitutto si dovrà associare il proprio dispositivo Bluetooth all'altoparlante seguendo le seguenti istruzioni.

1. Premere e tenere premuto il pulsante di ingresso Bluetooth sul telecomando finché il LED blu non lampeggerà sull'altoparlante. In alternativa, premere il pulsante Bluetooth sul retro dell'altoparlante amplificato, il LED lampeggerà in blu.
2. Selezionare le impostazioni Bluetooth sul dispositivo e cercare Q M20 HD tra i dispositivi.
3. Selezionare il dispositivo Q M20 HD nel nuovo elenco di dispositivi Bluetooth.

*Una volta connesso, il LED smetterà di lampeggiare e rimarrà blu.*

4. Ora si può riprodurre l'audio dal dispositivo.

Dopo aver associato un dispositivo, si potrà semplicemente collegarsi all'Q M20 la prossima volta che si accenderà l'hub e si selezionerà l'ingresso Bluetooth.

Durante la riproduzione dell'audio, è possibile utilizzare il dispositivo, il telecomando o i pulsanti sull'altoparlante amplificato per cambiare il volume. È inoltre possibile utilizzare il telecomando per riprodurre, mettere in pausa e saltare i brani.

### Cancellazione dell'elenco di accoppiamento Bluetooth


È possibile cancellare tutti i dispositivi dalla memoria dell'elenco di accoppiamento Bluetooth, se necessario, utilizzando i seguenti passaggi:

1. Mettere gli altoparlanti in modalità di accoppiamento Bluetooth con una lunga pressione del pulsante della sorgente BLU sul telecomando, il LED lampeggerà in blu.
2. Premere e tenere nuovamente premuto il pulsante della sorgente BLU sul telecomando, finché il LED non si spegnerà e poi lampeggerà tre volte.

*L'elenco di accoppiamento Bluetooth è ora cancellato dalla memoria e i dispositivi devono accoppiarsi di nuovo per connettersi.*


### Riproduzione audio tramite digitale ottico

Utilizzare un cavo ottico TOSLINK standard per collegare la sorgente audio digitale all'altoparlante Q M20 amplificato.

- Premere il pulsante OPT sul telecomando premere il pulsante  sull'altoparlante fino a quando il LED non diventerà bianco.

È possibile utilizzare il telecomando o i pulsanti dell'altoparlante amplificato per cambiare il volume.

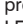
### Riproduzione audio tramite analogico

- Utilizzare le prese fono o la presa jack stereo da 3,5 mm per collegare la sorgente audio analogica. Premere il pulsante ANA sul telecomando o premere il pulsante  sull'altoparlante finché il LED non diventa verde.

È possibile utilizzare il telecomando o i pulsanti dell'altoparlante amplificato per cambiare il volume.

### Riproduzione audio tramite USB

Collegare un cavo di tipo USB A-B dal dispositivo del computer all'altoparlante amplificato Q M20.

- Premere il pulsante USB sul telecomando o premere il pulsante  sull'altoparlante finché il LED non si accende in giallo.

Sarà quindi necessario scaricare il driver USB corretto dal sito Web Q Acoustics qui:

[support.qacoustics.co.uk](http://support.qacoustics.co.uk)

Salvare il file sul proprio computer, quindi seguire queste istruzioni per Windows 10

1. Aprire "Gestione dispositivi"
2. Selezionare "USB2.0 High-Speed True HD Audio" in "Controller audio, video e giochi"
3. Selezionare "Driver" e poi "Aggiorna driver"
4. Selezionare "Cerca i driver sul mio computer, quindi andare alla cartella scaricata e selezionarla"
5. Windows aggiornerà quindi il driver
6. Al termine, è possibile selezionare "SPDIF (USB2.0 High-Speed True HD Audio)" dalla selezione degli altoparlanti.
7. Aprire l'applicazione di riproduzione musicale e divertitevi

È possibile utilizzare il telecomando o i pulsanti dell'altoparlante amplificato per cambiare il volume.

## Funzionamento

### Stati dei LED

|   |  |
|---|--|
| Rosso   | Sistema in standby   |
| Rosso scuro   | Sistema in standby profondo  |
| Bianco  | Il sistema sta riproducendo la sorgente ottica   |
| Bianco, lampeggiante                                  | Regolazione del volume   |
| Bianco, doppio lampeggio ogni 3 secondi               | L'ingresso ottico riceve audio multicanale o dolby digital che non può essere riprodotto |
| Blu   | Il sistema sta riproducendo la sorgente Bluetooth  |
| Blu, impulso lento                                    | Nessun dispositivo Bluetooth connesso  |
| Blu lampeggiante                                      | Modalità di associazione Bluetooth   |
| Blu, triplo lampeggio                                 | L'elenco di accoppiamento Bluetooth è stato cancellato                                   |
| Verde   | Il sistema sta riproducendo una sorgente analogica                                       |
| Giallo  | Il sistema sta riproducendo la sorgente USB  |
| Colore sorgente (bianco, blu, verde, giallo) pulsante | Muto   |

## Specifiche

### Prestazioni dell'amplificatore

|  |                         |
|--|-------------------------|
| Potenza in uscita (<1% THD) .....  | 2 x 32W // 4Ω           |
| THD (a 20W//4Ω).....   | <0,2%                   |
| Risposta in frequenza (DSP (Elaborazione digitale segnali uniforme) da ..... | 20 Hz a 20 kHz ± 0,5 dB |
| Rapporto S/N (ausiliario, pesato A, volume max, rif 1W) .....                | > 81 dB                 |
| Sensibilità ingresso analogico (per 32 W)....                                | 395 mV                  |
| Sovraccarico ingresso analogico .....  | 2,2 V                   |
| Sensibilità di ingresso minijack (per 32 W) ..                               | 220 mV                  |
| Sovraccarico dell'ingresso del minijack .....                                | 1,2 V                   |
| Uscita secondaria (100 Hz, a 32 W canali principali) .....                   | 380 mV                  |
| Ingresso ottico .....  | Toslink                 |
| Ottico nell'intervallo della frequenza di campionamento .....                | 24 bit/192 kHz          |
| USB nell'intervallo della frequenza di campionamento .....                   | 24 bit/192 kHz          |

### Altoparlanti

|   |                              |
|---|------------------------------|
| Tipo di cassa.....                      | Riflesso a 2 vie (con porte) |
| Driver di fascia media .....            | 125 mm                       |
| Tweeter .....                           | 22 mm (0.9in)                |
| Frequenza di crossover .....            | 2,4 kHz                      |
| Risposta in frequenza (libera, -6 dB) . | 55 Hz - 22 kHz               |

### Potenza

|                               |                         |
|-------------------------------|-------------------------|
| Tensione di alimentazione ... | 100 V - 240 V, 50-60 Hz |
| Consumo massimo .....         | 125 W                   |
| Consumo in standby.....       | <0,5 Watt               |

### Bluetooth®

|                                     |  |
|-------------------------------------|--|
| Caratteristiche del Bluetooth ..... | V5.0   |
| Miglioramenti musicali .....        | apt X, aptX HD®<br>apt X Bassa latenza, SBC, AAC |

### Dimensioni

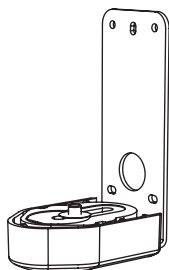
|                   |  |
|-------------------|--|
| (L x A x P) ..... | 170 mm x 279 mm x 296 mm<br>6 <sup>11</sup> / <sub>16</sub> " x 11" x 11 <sup>5</sup> / <sub>8</sub> " |
|-------------------|--|

### Peso

|                                |                    |
|--------------------------------|--------------------|
| Altoparlante amplificato ..... | 5,5 kg<br>12lb 2oz |
| Altoparlante passivo.....      | 5,1 kg<br>11lb 4oz |

## Accessori

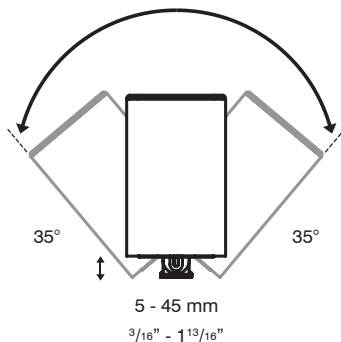
Staffa da parete Q 3000WB



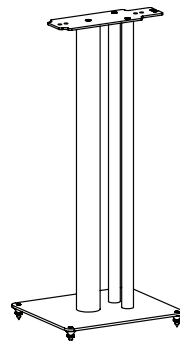
Dimensioni (LxAxP): 70 x 159  
x 99 mm

$2\frac{3}{4}'' \times 6\frac{3}{32}'' \times 3\frac{7}{8}''$

Angolo di regolazione Q 3000WB



Piedistallo Q 3000FSi



Dimensioni (L x A x P):

250 x 682 x 290 mm

$9\frac{7}{8}'' \times 29\frac{13}{16}'' \times 1\frac{17}{16}''$

## Garanzia

Il sistema Q M20 è garantiti privo di difetti relativamente ai materiali e alla manodopera per un periodo di 1 anno dalla data di acquisto. Durante il periodo di garanzia, Q Acoustics potrà, a propria discrezione, riparare o sostituire qualsiasi prodotto dichiarato difettoso in seguito a ispezione da parte della società o del proprio distributore o agente incaricato.

L'uso improprio, il normale deterioramento e l'usura non sono coperti dalla garanzia.

I prodotti da riparare devono innanzitutto essere resi al rivenditore. Se ciò non è possibile, contattare Q Acoustics o il distributore incaricato di zona al fine di determinare la corretta procedura di garanzia. Nei casi in cui sia possibile si consiglia di utilizzare l'imballaggio originale per la restituzione, poiché i danni incorsi durante il trasporto al centro di riparazione non sono coperti dalla garanzia. La garanzia non influenza in alcun modo i diritti legittimi dell'utilizzatore.

La garanzia può essere estesa ad un periodo di 2 anni con la registrazione del prodotto su:

[www.qacoustics.co.uk/register](http://www.qacoustics.co.uk/register).

## Contattaci

### Sede

Q Acoustics

Woodside 2

Dunmow Road

Bishops Stortford

Hertfordshire, Regno Unito

CM23 5RG

### Knowledge base (Base di conoscenza)

Per ulteriori informazioni non contenute in questo manuale, domande di supporto e/o richieste, visitare il nostro portale online Knowledge Base all'indirizzo: [support.qacoustics.co.uk](http://support.qacoustics.co.uk)

### Informazioni sull'assistenza

[support@qacoustics.co.uk](mailto:support@qacoustics.co.uk)



# M20 HD DRAADLOOS SYSTEEM

## GEbruikersHANDLEIDING

NL

### EG-CONFORMITEITS VERKLARING

M20 voldoet aan de volgende EEG-richtlijnen, de bijbehorende rechtsinstrumenten en relevante normen, indien van toepassing, zoals hieronder beschreven:

EG-richtlijn inzake elektromagnetische compatibiliteit 2004/108/EG

Geldende normen met wijzigingen: EN55032, EN55035

EG-laagspanningsrichtlijn 2006/95/EEG

Geldende norm met wijzigingen: EN62368

EU Draadloos: EN300328, EN301489, IEC62321

Fase 1 van bijlage II van Verordening (ErP) EG nr. 1275/2008



Het Bluetooth woordmerk en de logo's zijn geregistreerde handelsmerken in eigendom van Bluetooth SIG, Inc. en elk gebruik van dergelijke merken door Armour Home Electronics Ltd. is onder licentie. Het merk aptX® en het aptX-logo zijn handelsmerken van CSR plc of van één van haar groepsbedrijven en kunnen in één of meer rechtsgebieden geregistreerd zijn. Andere handelsmerken en -namen zijn eigendom van hun respectievelijke eigenaars.

## Inhoudsopgave

|   |    |
|---|----|
| Veiligheidsinformatie .....   | 1  |
| Belangrijke informatie - Lees dit onderdeel zorgvuldig door .....       | 1  |
| Juiste verwijdering van dit product .....                               | 1  |
| Onderhoud .....   | 2  |
| Belangrijke mededeling voor Britse gebruikers .....                     | 2  |
| Nota's .....  | 2  |
| FCC-verklaring (Voor Amerikaanse klanten) .....                         | 2  |
| Industry Canada verklaring (voor Canadese klanten) .....                | 3  |
| Inleiding .....   | 3  |
| Inhoud van de verpakking .....  | 4  |
| Samenvatting van de kenmerken .....                                     | 4  |
| Bekabelde aansluiting .....   | 4  |
| Draadloze aansluiting .....   | 4  |
| Akoestiek .....   | 5  |
| Batterijen voor de afstandsbediening .....                              | 5  |
| Sleutel .....   | 6  |
| Verbindingen en besturingen aan de achterzijde van de luidspreker ..... | 6  |
| Luidspreker bediening .....   | 6  |
| Afstandsbediening .....   | 7  |
| Operatie .....  | 7  |
| Aansluiting tussen de luidsprekers .....                                | 7  |
| De luidspreker positioneren en assembleren .....                        | 8  |
| Auto stand-by .....   | 8  |
| Audio afspelen met Bluetooth .....                                      | 8  |
| De Bluetooth koppelingslijst leegmaken .....                            | 9  |
| Audio optisch digitaal afspelen .....                                   | 9  |
| Audio afspelen met analoog .....  | 9  |
| Audio afspelen met USB .....  | 9  |
| LED statussen .....   | 10 |
| Specificatie .....  | 10 |
| Prestatie van de versterker .....                                       | 10 |
| Luidsprekers .....  | 10 |
| Vermogen .....  | 10 |
| Bluetooth® .....  | 10 |
| Afmetingen .....  | 10 |
| Gewicht .....   | 10 |
| Accessoires .....   | 10 |
| Garantie .....  | 10 |
| Contact .....   | 10 |
| Hoofdkantoor .....  | 10 |
| Kennnisbestand .....  | 10 |
| Onderhoudsinformatie .....  | 10 |

# Veiligheidsinformatie

## Belangrijke informatie - Lees dit onderdeel zorgvuldig door



Dit symbool geeft aan dat de documentatie die bij dit apparaat wordt geleverd belangrijke bedienings- en onderhoudsinstructies bevat.



Dit symbool geeft aan dat er in dit apparaat gevaarlijke spanning aanwezig is, wat inhoudt dat er een risico bestaat op elektrische schokken.



Dit apparaat is een Klasse II of dubbel geïsoleerd elektrisch apparaat. Het apparaat is ontworpen op een zodanige wijze dat het geen veiligheidsverbinding vereist om elektrisch geaard te worden.

Lees en bewaar deze instructies.

Neem alle waarschuwingen in acht en volg alle instructies.

Gebruik dit apparaat niet in de buurt van water.

Reinig alleen met een droge, zachte doek.

Blokkeer geen ventilatie-openingen.

Installeer volgens de instructies van de fabrikant.

Installeer niet in de buurt van warmtebronnen zoals kachels, warmte-uitlaten, fornuizen of andere apparaten (waaronder versterkers) die warmte produceren.

Bescherm het netsnoer zodat er niet overheen wordt gelopen of deze bekneld raakt, in het bijzonder bij stekkers, stopcontacten en het punt waarop ze het apparaat verlaten.

Gebruik alleen hulpstukken/accessoires die door de fabrikant zijn opgegeven.

Gebruik de luidspreker alleen met de roltafel, standaard, beugel of tafel die wordt aangegeven door de fabrikant of bij het apparaat wordt verkocht. Wees bij het gebruik van een roltafel voorzichtig bij het verplaatsen van de combinatie van roltafel plus apparaat om letsel door vallen te voorkomen.

Trek de stekker uit het stopcontact bij onweer of wanneer het apparaat gedurende lange tijd niet wordt gebruikt.

Probeer de beveiliging van de gepolariseerde of geaarde stekker niet te verwijderen. Een gepolariseerde stekker heeft twee pennen, waarvan de ene breder is dan de andere. Een geaarde stekker heeft twee pennen en een derde aardingspen. De bredere pen of het derde uitsteeksel zijn er voor uw veiligheid. Als de bijgeleverde stekker niet in uw stopcontact past, raadpleeg dan een elektricien.

Zet geen gevaarlijke voorwerpen, zoals brandende kaarsen, op het product.

Batterijen (een batterijpak of geïnstalleerde batterijen) mogen niet worden blootgesteld aan overmatige hitte zoals zonneshijn, brand en gelijkaardige.

Neem alle waarschuwingen op het apparaat in acht. In geen geval het apparaat demontieren of de behuizing verwijderen om het risico op brand of elektrische schokken te voorkomen.

De netspanning van dit apparaat wordt vermeld op een typeplaat op de achterzijde van het apparaat. Voordat het apparaat wordt verbonden met de netspanning, controleer of de spanning dezelfde is als uw netvoeding.

Pas op: Door veranderingen of aanpassingen die niet uitdrukkelijk zijn goedgekeurd door de fabrikant kan de bevoegdheid van de gebruiker om dit apparaat te bedienen vervallen.

Pas op: Het gebruik van productfuncties of aanpassingen, of het uitvoeren van handelingen die niet in deze instructies zijn beschreven kunnen gevaarlijke blootstelling veroorzaken.

Waarschuwing: De AC-ingangsconnector wordt gebruikt als veiligheidsstroomonderbreker. Deze moet eenvoudig toegankelijk zijn na de installatie.

Waarschuwing: Om het risico op brand of elektrische schokken te vermijden, mag dit product niet worden blootgesteld aan regen of vocht. Het product mag niet worden blootgesteld aan druppels of spetters, en voorwerpen die gevuld zijn met vocht, zoals een bloemenvaas, mogen niet op het product worden geplaatst.

Om verstikkingsgevaar te vermijden dient u alle plastic zakken en verpakkingen uit de buurt van baby's en kinderen te houden.

Derden: In het onwaarschijnlijke geval dat u dit product doorgeeft aan derden, dient u deze gebruiksaanwijzing met het product mee te geven.

### Juiste verwijdering van dit product



Deze markering geeft aan dat dit product niet mag worden weggegooid met ander huishoudelijk afval binnen de EU. Om mogelijke schade aan het milieu of de menselijke gezondheid door ongecontroleerde afvalverwijdering te voorkomen, dient u het product op een verantwoordelijke manier te recyclen om duurzaam hergebruik van grondstoffen te bevorderen. Om uw gebruikte apparaat in te leveren, gebruikt u het teruggave- en inzamelsysteem of neemt u contact op met de winkel waar het product is gekocht. Zij kunnen dit product op een milieuvriendelijke manier laten recyclen.



## Veiligheidsinformatie

### Onderhoud

Laat onderhoud over aan vakbekwaam onderhoudspersoneel.

Onderhoud is nodig wanneer het apparaat op enigerlei wijze is beschadigd, dus als bijvoorbeeld het netsnoer of de stekker is beschadigd, als er vloeistof op het apparaat is gemorst of er voorwerpen in het apparaat zijn gevallen, als het apparaat is blootgesteld aan regen of vocht, als het niet naar behoren werkt of als het is gevallen.

Apparatuur moet voor onderhoud worden geretourneerd aan de leverancier die het heeft verstrekt of aan de onderhoudsvertegenwoordiger in uw regio.

### Belangrijke mededeling voor Britse gebruikers

Het Britse netsnoer eindigt met een in het Verenigd Koninkrijk goedgekeurde stekker die met een 3A-zekering is uitgerust. Als de zekering moet worden vervangen, moet er een door ASTA of BSI goedgekeurde BS1362-zekering met een 3A-waardering worden gebruikt.

## Nota's

### FCC-verklaring (Voor Amerikaanse klanten)

Dit apparaat is in overeenstemming met Deel 15 van de FCC-regels. De twee volgende voorwaarden zijn van toepassing op het gebruik: (1) dit apparaat mag geen schadelijke storing veroorzaken en (2) dit apparaat moet alle ontvangen storing aanvaarden, inclusief storing die een ongewenste werking van het apparaat tot gevolg kan hebben.

Deze apparatuur is getest en voldoet aan de beperkingen voor een Klasse B digitaal apparaat, overeenkomstig Deel 15 van de FCC-regels. Deze beperkingen zijn ontworpen om redelijke bescherming te bieden tegen schadelijke storing bij installatie in een woonwijk. Dit apparaat genereert, gebruikt en kan radiofrequentie-energie uitstralen en het kan, als het niet geïnstalleerd en gebruikt wordt volgens de instructies, schadelijke storing veroorzaken aan de radiocommunicatie. Er is echter geen garantie dat er geen storing op zal treden bij een bepaalde installatie. Als dit apparaat schadelijke storing veroorzaakt aan de ontvangst van radio of tv, hetgeen kan worden bepaald door het apparaat in en uit te schakelen, raden wij u aan de storing te verhelpen door een of meer van de volgende maatregelen te treffen:

- Stel de antenne opnieuw af of verplaats deze.
- Vergroot de afstand tussen de apparatuur en de ontvanger.
- Sluit de apparatuur aan op een ander stopcontact dan het stopcontact waar de ontvanger op aangesloten is.
- Neem contact op met de dealer of een ervaren radio- of tv-monteur.

LET OP! Niet door de fabrikant goedgekeurde wijzigingen of aanpassingen van dit product kunnen uw bevoegdheid om van het product gebruik te maken, annuleren.

Deze apparatuur voldoet aan de limieten voor RF-stralingsblootstelling die door de FCC voor een ongecontroleerde omgeving zijn vastgesteld. Dit apparaat moet worden geïnstalleerd en gebruikt met een minimale afstand van 20 cm tussen de zender en uw lichaam.

### Industry Canada verklaring (voor Canadese klanten)

CAN ICES-3 (B)/NMB-3(B)

Het apparaat is in overeenstemming met de uitzondering voor routine evaluatiebeperkingen in deel 2.5 van RSS 102 en is volledig in overeenstemming met RSS-102 RF. Gebruikers kunnen informatie over RF-blootstelling en naleving verkrijgen van Industry Canada.

Dit apparaat voldoet aan de RSS-norm(en) voor licentievrijstelling van Industry Canada. De twee volgende voorwaarden zijn van toepassing op het gebruik:

1. Dit apparaat mag geen schadelijke storing veroorzaken en
2. Het apparaat moet alle ontvangen storing aanvaarden, inclusief storing die een ongewenste werking van het apparaat tot gevolg kan hebben.

## Inleiding

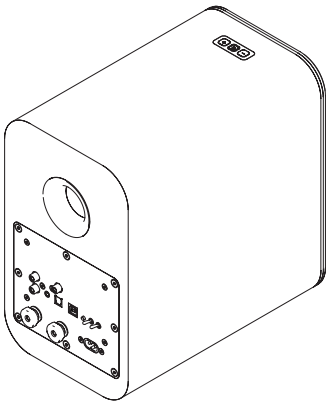
Dank u om het Q Acoustics M20 HD Draadloze muzieksysteem te kopen.

Deze handleiding helpt u bij de configuratie en installatie, zodat het product optimaal zal functioneren.

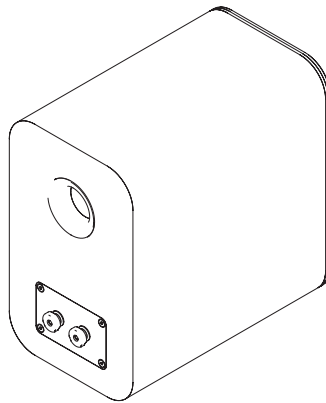
Lees de instructies, belangrijke veiligheidsinformatie en waarschuwingen zorgvuldig voordat u het toestel installeert en gebruikt om ervoor te zorgen dat het toestel veilig en degelijk werkt.

Het Q M20 systeem combineert uitzonderlijk stereogeluid met handige connectiviteit en geïntegreerde versterking.

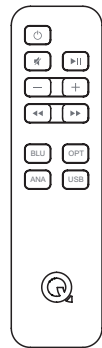
## Inhoud van de verpakking



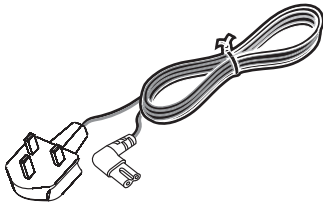
1 x Versterkte luidspreker



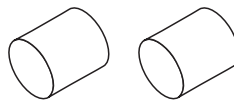
1 x Passieve luidspreker



1 x Afstandsbediening



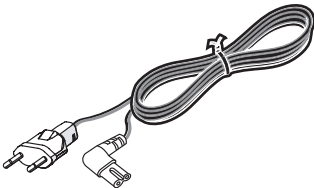
1 x Brits netsnoer\*



2 x Schuimrubberen dop



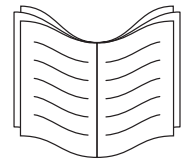
2 x Batterijen voor de afstandsbediening



1 x EU netsnoer\*



1 x 4 m kabel voor luidspreker



1 x Gebruikershandleiding

\*De geleverde stroomsnoer(en) kunnen variëren naargelang de marktversie.

## Samenvatting van de kenmerken

### Bekabelde aansluiting

- Analoge audio-ingang – De stereo phono aansluitingen of 3,5 mm stereo-aansluiting maken een verbinding naar een externe analoge audiobron zoals een CD-speler mogelijk.
- Optische digitale invoer – Maakt verbinding naar een externe digitale audiobron, zoals een cd-speler of een tv mogelijk
- Luidspreker uitgang - De stereo 4 mm aansluitingen maken een verbinding van de versterkte luidspreker naar de passieve luidspreker mogelijk
- USB – Een USB type B aansluiting maakt een verbinding naar een computer mogelijk
- Sub Out – Een phono subwoofer uitgang om te verbinden met een externe subwoofer.

### Draadloze aansluiting

- Bluetooth® HD – Een internationale draadloze verbinding gebruikt om audio te streamen van alle compatibele toestellen.
- AVRCP – Een Bluetooth besturingsprotocol dat de bediening van uw toestel voor volume en mute synchroniseert voor eenvoudige integratie van onze Q Acoustics luidspreker.

### Akoestiek

Linker-/ rechterpositieschakelaar - Hierdoor kan de versterkte luidspreker worden geplaatst als de linker- of rechterluidspreker van het paar, welke het dichtst bij het wandstopcontact staat.

Grenscontroleschakelaar – Bediening door de gebruiker van EQ-instelling voor de beste akoestische prestatie. Dit kan worden gewijzigd afhankelijk van de positie en montage van de luidspreker en gebruikersvoorkeur.

NL

## Batterijen voor de afstandsbediening

### Batterijen plaatsen of vervangen

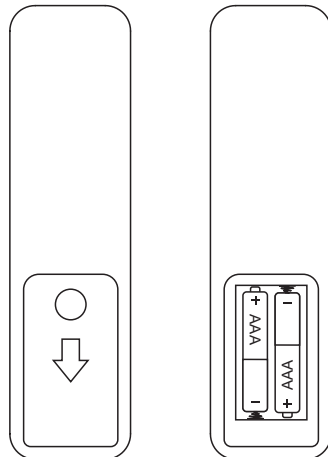
- Schuif de batterijklep van de afstandsbediening in overeenstemming met de getoonde richting.
- Verwijder de klep van de afstandsbediening.
- Verwijder de vervallen batterijen (indien nodig).
- Plaats de nieuwe batterijen in overeenstemming met de getoonde polariteit.

Wanneer de batterijen worden verwijderd, gebruik alleen hetzelfde AAA-type.

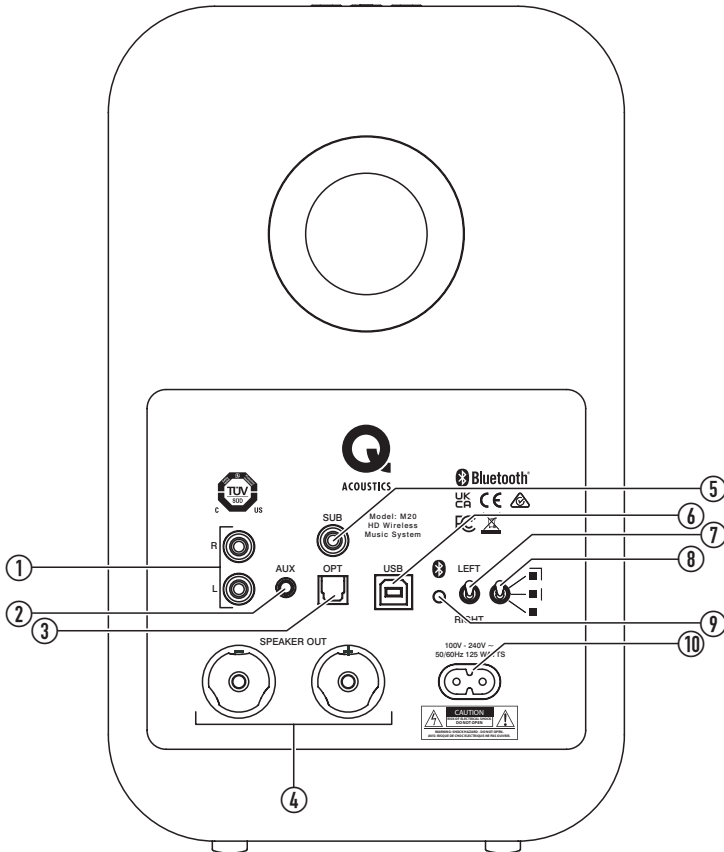
Alkalinebatterijen worden aanbevolen. Andere soorten batterijen kunnen lekken en schade veroorzaken.

### De batterij weggooien

Gooi gebruikte batterijen weg in overeenstemming met de recyclingvoorschriften in uw gebied. Sluit nooit de batterijen kort, gooi ze niet in water of met het algemene huishoudelijk afval of in vuur.



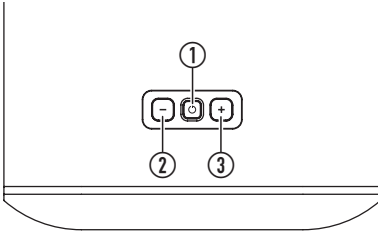
## Verbindingen en besturingen aan de achterzijde van de luidspreker



1. **Analoge phono**  
*Analoge audiobron aansluiten*
2. **Analoge 3,5 mm aansluiting**  
*Analoge audiobron aansluiten (schakelt phono aansluitingen uit)*
3. **Optische Toslink**  
*Digitale optische audiobron aansluiten*
4. **Luidspreker uit**  
*Passieve luidspreker aansluiten*
5. **Sub**  
*Optionele externe subwoofer aansluiten*
6. **USB**  
*Computer audiobron aansluiten*
7. **Positie van de luidspreker**  
*Selecteer linker- of rechterpositie in de kamer van de luisterpositie*
8. **EQ-schakelaar**  
*Past de lage tonenrespons van de luidspreker aan*
9. **Bluetooth**  
*Indrukken om naar BT-koppelingsmodus te gaan*
10. **AC stroom**  
*Verbinden met stroomtoevoer 100v – 240v*

# Sleutel

## Luidspreker bediening



### 1. Stand-by/bron

*Indrukken om aan te schakelen, lang indrukken om op stand-by te zetten*

*Indrukken om de bron te veranderen*

*Heel lang indrukken wanneer in stand-by, plaatst het toestel in diepe stand-by*

### 2. —

*Indrukken om het volume te verlagen met een stap*

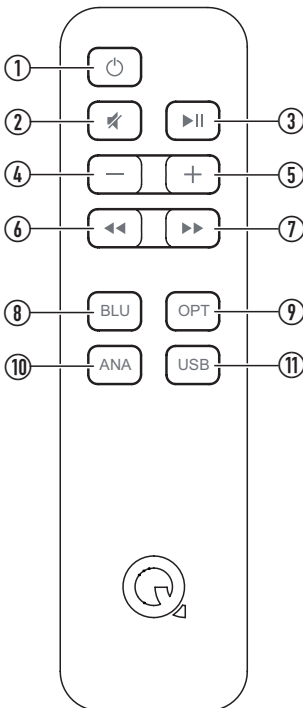
*Blijven indrukken om het volume voortdurend te verlagen*

### 3. +

*Indrukken om het volume te verhogen met een stap*

*Blijven indrukken om het volume voortdurend te verhogen*

## Afstandsbediening



### 1.

*Plaatst het systeem in stand-by, schakelt aan naar optische ingang*

### 2.

*Dempt/ schakelt het geluid naar de luidsprekers opnieuw aan*

### 3.

*Pauzeert/ speelt de audio alleen af op Bluetooth invoer*

### 4. —

*Kort indrukken verlaagt het volume met een stap*

*Blijven indrukken zal het volume voortdurend verlagen*

### 5. +

*Kort indrukken verhoogt het volume met een stap*

*Blijven indrukken zal het volume voortdurend verhogen*

### 6.

*Gaat alleen een nummer terug op Bluetooth ingang*

### 7.

*Gaat alleen een nummer vooruit op Bluetooth uitgang*

### 8. BLU

*Selecteert Bluetooth invoeren, plaatst systeem in koppelingsmodus met lang indrukken*

### 9. OPT

*Selecteert een optische ingang*

### 10. ANA

*Selecteert een analoge ingang*

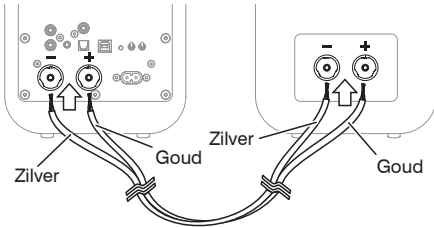
### 11. USB

*Selecteert een USB-ingang*

## Operatie

### Aansluiting tussen de luidsprekers

Verbind eerst de voorziene luidsprekerkabel tussen de twee luidsprekers. De draden hebben andere kleuren om de + en - polariteit te identificeren. Zorg ervoor dat u altijd de gouden draad voor + gebruikt en de zilveren draad voor - aan beide uiteinden.



### De luidspreker positioneren en assembleren

Plaats de luidsprekers eenvoudig aan elke kant van de voornaamste luisterpositie op een vlak oppervlak, ideaal op ongeveer 2.0 – 4.0 m (2 - 4 yards) afstand van elkaar.

U kunt de Q M20 ook gebruiken met de Q 3000FSi vloersteun of Q 3000WB wandhouder (afzonderlijk verkrijgbaar), volg de met deze handleiding voorziene instructies.

- De versterkte luidspreker kan in de rechter- of linkerpositie geplaatst worden. U hoeft alleen de linker-/rechterschakelaar correct te zetten.

### De EQ-schakelaar aanpassen

- U kunt de lage tonenrespons van de luidsprekers aanpassen zodat die aansluit bij uw gewenste lage tonenniveau en dat beïnvloedt wordt door de positie van de luidspreker ten aanzien van een muur, plank of hoek. Probeer te luisteren naar uw M20 luidsprekers in elk van de drie posities, selecteer degene waarmee u het meest tevreden bent.

■ Deze positie zal de meeste lage tonenoutput geven en is geschikt als de luidsprekers weg van muren of hoeken zijn geplaatst.

■ | Deze positie zal u een middenpunt in lage tonenoutput geven en is geschikt als de luidsprekers dichtbij een muur of plank zijn geplaatst.

■ | Deze positie zal de laagste lage tonenoutput geven en is geschikt als de luidsprekers in de hoeken van de kamer staan.

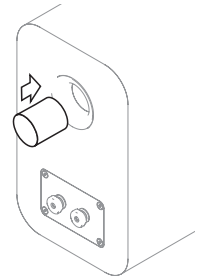
### Optionele subwoofer

Een subwoofer kan optioneel worden aangesloten op het SUB-stopcontact. De subwoofer moet de level- en crossoverbediening bevatten. Met de subwoofer verbonden, speel wat muziek af met bass (lage tonen) en pas de subwooferbediening aan op het door u verkozen geluid.

### Poort dempen

De Q M20 luidsprekers uit de 3000i-serie hebben een poort aan de achterkant en werken het beste met wat ruimte erachter – ongeveer 200 mm afstand tot een wand. Als u uw luidsprekers dicht bij een wand/hoek plaatst, moeten de schuimrubberen doppen in de poorten aan de achterkant worden gestopt, zodat er niet te veel bastonen klinken.

- Zorg ervoor dat de doppen goed in de poort passen, zonder ze te ver naar binnen te duwen.



*U zult horen dat het basniveau afneemt maar de definitie en basweergave worden verhoogd.*

*Experimenteer om te horen waar u de voorkeur aan geeft en probeer kleine veranderingen uit in de positie van de luidspreker om het eindresultaat te optimaliseren.*

### Aanschakelen

- Verbind het netsnoer met de versterkte luidspreker en verbind met een wandstopcontact.

*De stand-by LED zal rood worden wanneer het apparaat is aangeschakeld.*

- Om het systeem aan te schakelen, druk  op de afstandsbediening of op het bedieningspaneel.
- Om het systeem in stand-by te zetten, druk op  op de afstandsbediening of  druk lang op het bedieningspaneel.

### Auto stand-by

Het Q M20 systeem heeft een energiebesparende automatische stand-by functie. Als 20 minuten geen muziek wordt afgespeeld, zal het systeem automatisch in stand-by gaan.

## Audio afspelen met Bluetooth

U kunt vele Bluetooth apparaten gebruiken om audio af te spelen door het Q M20 systeem. Koppel eerst uw Bluetooth toestel met de luidspreker met behulp van de onderstaande instructies.

1. Blijf de Bluetooth ingangtoets op de afstandsbediening indrukken tot de blauwe LED op de luidspreker knippert. Of druk op de Bluetooth-toets op de achterzijde van de versterkte luidspreker, de LED zal blauw knipperen.
2. Selecteer de Bluetooth instellingen op uw toestel en zoek Q M20 HD in toestellen.
3. Selecteer het Q M20 HD toestel in de nieuwe Bluetooth toestellijst.

*Nadat de verbinding is gemaakt, zal de LED niet meer knipperen en blauw oplichten.*

4. U kunt nu de audio afspelen van uw toestel.

Nadat u een toestel hebt gekoppeld, kunt u het de volgende keer verbinden met de Q M20. Dit zal de Bluetooth ingang aanschakelen en selecteren.

Wanneer u audio afspeelt, kunt u het toestel, de afstandsbediening of de toetsen op de versterkte luidspreker gebruiken om het volume aan te passen. U kunt ook de afstandsbediening gebruiken om nummers af te spelen, te pauzeren of over te slaan.

## De Bluetooth koppelingslijst leegmaken


U kunt alle toestellen verwijderen uit het geheugen van de Bluetooth koppelingslijst door de onderstaande stappen te volgen:

1. Plaats de luidsprekers in de Bluetooth koppelingsmodus door lang te drukken op de BLU brontoets op de afstandsbediening, de LED zal blauw knipperen.
2. Blijf opnieuw drukken op de BLU brontoets op afstandsbediening totdat de LED uitgaat en dan drie keer knippert.

*De Bluetooth koppelingslijst is nu leeg en toestellen moeten opnieuw koppelen om te verbinden.*


## Audio optisch digitaal afspelen

Gebruik een standaard TOSLINK optische kabel om uw digitale audiobron te verbinden met de Q M20 luidspreker.

- Druk op de OPT toets op de afstandsbediening of druk op de  toets tot de LED wit is.

U kunt de afstandsbediening of de toetsen op de versterkte luidspreker gebruiken om het volume aan te passen.


## Audio afspelen met analoog

- Gebruik de phono aansluiting of de 3,5 mm stereo-aansluiting om de analoge audiobron aan te sluiten. Druk op de ANA toets op de afstandsbediening of druk op de  toets op de luidspreker tot de LED groen is.

U kunt de afstandsbediening of de toetsen op de versterkte luidspreker gebruiken om het volume aan te passen.

## Audio afspelen met USB

Verbind een USB A-B type kabel van uw computer met de Q M20 versterkte luidspreker.

- Druk op de USB toets op de afstandsbediening of druk op de  toets op de luidspreker tot de LED geel is.

U moet dan de correcte USB driver downloaden van de Q Acoustics website:

[support.qacoustics.co.uk](http://support.qacoustics.co.uk)

Bewaar het bestand op uw computer, volg dan deze instructies voor Windows 10.

1. Openen 'Device manager' ('Apparaatbeheer')
2. Selecteer 'USB2.0 High-Speed True HD Audio' in 'Sound, video and game controllers'
3. Selecteer 'Driver' en dan 'Update Driver' (Driver updaten).
4. Selecteer 'Browse my computer for drivers' (Door mijn computer bladeren voor drivers), blader dan naar de gedownloade map en selecteer.
5. Windows zal dan de driver updaten.
6. Wanneer u klaar bent, selecteer 'SPDIF (USB2.0 High-Speed True HD Audio)' uit de luidsprekeselectie.
7. Open uw applicatie om muziek af te spelen en geniet.

U kunt de afstandsbediening of de toetsen op de versterkte luidspreker gebruiken om het volume aan te passen.

## Operatie

### LED statussen

|   |   |
|---|---|
| Rood  | Systeem is in stand-by  |
| Donkerrood                                  | Systeem is in diepe stand-by  |
| Wit   | Systeem speelt een optische bron af   |
| Wit, knipperend                             | Volume aanpassen  |
| Wit, dubbele flits elke 3 seconden          | De optische ingang ontvangt meerkanaalse of dolby digitale audio die niet kan worden afgespeeld |
| Blauw                                       | Systeem speelt een Bluetooth bron af  |
| Blauw, trage puls                           | Geen Bluetooth toestel verbonden  |
| Knipperend blauw                            | Bluetooth-koppelingsmodus   |
| Blauw, drievoudige flits                    | De Bluetooth-koppelingslijst werd leeggemaakt   |
| Groen                                       | Het systeem speelt een analoge bron af  |
| Geel  | Het systeem speelt een USB-bron af  |
| Bronkleur (wit, blauw, groen, geel) pulsend | Gedempt   |

## Specificatie

### Prestatie van de versterker

|   |                          |
|---|--------------------------|
| Vermogen (<1% THD) .....                      | 2 x 32W//4Ω              |
| THD (aan 20W//4Ω) .....                       | <0,2%                    |
| Freq. resp. (DSP vlak ingesteld) .....        | 20Hz tot 20kHz<br>±0,5dB |
| S/N ratio (aux, A-Wtd, max vol, ref 1W) ..... | >-81dB                   |
| Analoge ingangsevoeligheid (voor 32W) ....    | 395mV                    |
| Analoge ingangsoverbelasting .....            | 2,2V                     |
| Minijack ingangsevoeligheid (voor 32W) ....   | 220mV                    |
| Minijack ingangsoverbelasting .....           | 1,2V                     |
| Sub uit (100Hz, aan 32W hoofdkanalen).....    | 380mV                    |
| Optisch in .....                              | Toslink                  |
| Optisch in sample rate bereik .....           | 24bit/192kHz             |
| USB in sample rate bereik .....               | 24bit/192kHz             |

### Luidsprekers

|                              |                            |
|------------------------------|----------------------------|
| Behuizingstype.....          | 2-wegs reflex (geporteerd) |
| Middentoner .....            | 125 mm (5,0 in)            |
| Tweeter .....                | 22 mm (0,9in)              |
| Crossoverfrequentie.....     | 2.4 kHz                    |
| Freq resp (vrij, -6dB) ..... | 55Hz tot 22kHz             |

### Vermogen

|                          |                       |
|--------------------------|-----------------------|
| Voedingsspanning .....   | 100 - 240 V, 50-60 Hz |
| Maximumconsumptie.....   | 125 W                 |
| Stand-by consumptie..... | <0,5 Watt             |

### Bluetooth®

|                             |  |
|-----------------------------|--|
| Bluetooth-specificatie..... | V5.0   |
| Muziekbevoordering .....    | apt X, aptX HD®<br>apt X Lage latentie, SBC, AAC |

### Afmetingen

|                   |   |
|-------------------|---|
| (B x H x D) ..... | 170mm x 279mm x 296mm<br>6 11/16" x 11" x 11 5/8" |
|-------------------|---|

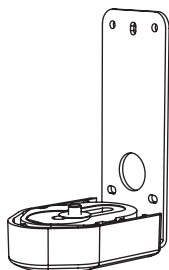
### Gewicht

|                              |                   |
|------------------------------|-------------------|
| Versterkte luidspreker ..... | 5,5kg<br>12lb 2oz |
| Passieve luidspreker .....   | 5,1kg<br>11lb 4oz |



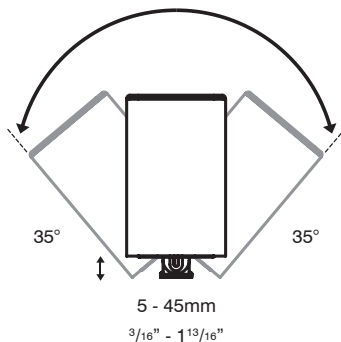
## Accessoires

Q 3000WB Muurbeugel



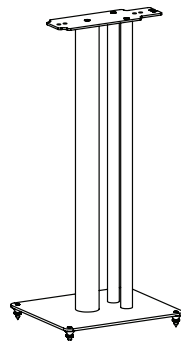
Afmetingen (B x H x D mm):  
70 x 159 x 99mm  
 $2\frac{3}{4}'' \times 6\frac{3}{32}'' \times 3\frac{7}{8}''$

Q 3000WB aanpassingshoek



5 - 45mm  
 $\frac{3}{16}'' - 1\frac{13}{16}''$

Q 3000FSi vloerstandaard



Afmetingen (B x H x D):  
250 x 682 x 290mm  
 $9\frac{7}{8}'' \times 29\frac{13}{16}'' \times 1\frac{17}{16}''$

## Garantie

Het Q M20 systeem is gegarandeerd vrij van defecten in materiaal en productie voor een periode van een jaar vanaf de aankoopdatum. Tijdens de garantieperiode zal Q Acoustics naar eigen goeddunken een product repareren of vervangen als het na inspectie door het bedrijf, of een aangestelde distributeur of vertegenwoordiger, defect is gebleken.

Verkeerd gebruik en normale slijtage vallen niet onder de garantie.

Goederen ter reparatie moeten in de eerste instantie worden teruggestuurd naar de leverancier die het product verstrekt heeft. Is dit niet mogelijk, neem dan contact op met Q Acoustics of de door Q Acoustics aangestelde distributeur in uw regio om de juiste garantieprocedure te bepalen. Gebruik indien mogelijk de oorspronkelijke verpakking om het product terug te sturen, aangezien schade tijdens het transport naar het reparatiecentrum niet door de garantie wordt gedekt. De garantie is op geen enkele wijze van invloed op uw wettelijke rechten.

De garantie kan tot 2 jaar worden verlengd door het product te registreren op -

[www.qacoustics.co.uk/register](http://www.qacoustics.co.uk/register).

NL

## Contact

### Hoofdkantoor

Q Acoustics  
Woodside 2  
Dunmow Road  
Bishops Stortford  
Hertfordshire, UK  
CM23 5RG

### Kennisbestand

Als u vragen hebt over deze gebruikershandleiding, en /of andere vragen of verzoeken, ga naar onze online kennisbestandportal op:  
[support.qacoustics.co.uk](http://support.qacoustics.co.uk)

### Onderhoudsinformatie

[support@qacoustics.co.uk](mailto:support@qacoustics.co.uk)



## SISTEMA SEM FIOS HD M20

### MANUAL DO UTILIZADOR

PT

#### **DECLARAÇÃO DE CONFORMIDADE CE**

O modelo M20 está em conformidade com as seguintes diretivas da CEE, respetivos Instrumentos Estatutários de apoio e Normas relevantes, onde aplicável:

Diretiva do Conselho da CE sobre compatibilidade eletromagnética 2004/108/CE

Normas aplicáveis com emendas: EN55032, EN55035

Diretiva relativa a baixa tensão da CE 2006/95/CEE

Norma aplicável com emendas: EN62368

Sem fios UE: EN300328, EN301489, IEC62321

Fase 1 do anexo II do regulamento da Comissão (ErP) CE n.º 1275/2008



A marca e os logótipos Bluetooth são marcas comerciais registadas propriedade da Bluetooth SIG, Inc. e qualquer utilização dessas marcas pela Armour Home Electronics Ltd. realiza-se sob licença. A marca aptX® e o logótipo aptX são marcas comerciais da CSR plc ou de uma das empresas do respetivo grupo, e podem estar registados em uma ou mais jurisdições. Outras marcas e nomes comerciais são propriedade dos respetivos proprietários.

|  |    |
|--|----|
| Informações de segurança.....                                | 1  |
| Informação importante - Leia com atenção .....               | 1  |
| Eliminação correta deste produto .....                       | 1  |
| Reparação.....   | 2  |
| Aviso importante para os utilizadores do Reino Unido .....   | 2  |
| Notas.....   | 2  |
| Declaração FCC (para clientes dos EUA) .....                 | 2  |
| Declaração da Industry Canada (para clientes do Canadá)..... | 2  |
| Introdução.....  | 3  |
| Conteúdo da embalagem .....                                  | 4  |
| Resumo das características.....                              | 4  |
| Conectividade com fios .....                                 | 4  |
| Conectividade sem fios.....                                  | 4  |
| Acústica.....  | 4  |
| Pilhas do controlo remoto .....                              | 5  |
| Botões .....   | 5  |
| Controlos e ligações traseiras do altifalante .....          | 5  |
| Controlos do altifalante.....                                | 6  |
| Controlo remoto.....   | 6  |
| Funcionamento.....   | 7  |
| Ligação entre os altifalantes .....                          | 7  |
| Montagem e posicionamento dos altifalantes.....              | 7  |
| Standby automático.....                                      | 8  |
| Reproduzir áudio por Bluetooth .....                         | 8  |
| Apagar a lista de emparelhamentos Bluetooth.....             | 8  |
| Reproduzir áudio digital ótico.....                          | 9  |
| Reproduzir áudio analógico.....                              | 9  |
| Reproduzir áudio por USB.....                                | 9  |
| Estados do LED .....   | 9  |
| Especificações .....   | 9  |
| Desempenho do amplificador .....                             | 9  |
| Altifalantes .....   | 10 |
| Alimentação .....  | 10 |
| Bluetooth®.....  | 10 |
| Dimensões .....  | 10 |
| Peso .....   | 10 |
| Acessórios.....  | 10 |
| Garantia.....  | 10 |
| Contacto .....   | 10 |
| Administração central .....                                  | 10 |
| Base de dados de conhecimentos.....                          | 10 |
| Informações de assistência.....                              | 10 |

# Informações de segurança

## Informação importante - Leia com atenção



Este equipamento é um aparelho elétrico de isolamento duplo ou Classe II. Foi concebido de forma a não requerer uma ligação de terra de segurança.



Este símbolo indica a existência de instruções importantes de funcionamento e de manutenção na literatura que acompanha esta unidade.



Este símbolo indica a existência de tensão perigosa que constitui um risco de choque elétrico nesta unidade.

Leia e conserve estas instruções.

Observe todos os avisos e siga todas as instruções.

Não utilize este aparelho perto de água.

Limpe apenas com um pano seco e suave.

Não bloqueie quaisquer aberturas de ventilação.

Instale de acordo com as instruções do fabricante.

Não instale perto de fontes de aquecimento como radiadores, unidades de calor, fogões ou outros aparelhos (incluindo amplificadores) que emitam calor.

Proteja o cabo de alimentação de forma a não ser pisado nem pressionado, particularmente junto das fichas, dos recetáculos e da saída do aparelho.

Utilize apenas dispositivos auxiliares/acessórios especificados pelo fabricante.

Utilize apenas com um carrinho, apoio, tripé, suporte ou mesa especificados pelo fabricante, ou vendido com o aparelho. Quando utilizar um carrinho, tenha cuidado ao mover a combinação carrinho/ aparelho para evitar ferimentos resultantes de queda.

Desligue a unidade durante trovoadas ou quando não for utilizado durante longos períodos de tempo.

Não anule a segurança da ficha polarizada ou de ligação à terra. Uma ficha polarizada possui dois pinos, sendo um mais largo do que o outro. Uma ficha de ligação à terra possui dois pinos e uma terceira ponta de ligação à terra. O pino de ligação à terra ou a terceira ponta destinam-se à sua segurança. Se a ficha fornecida não encaixar na sua tomada, consulte um electricista para proceder à substituição da tomada obsoleta.

Não se devem colocar fontes de chamas sem proteção, como velas, sobre o produto.

As baterias (bateria ou pilhas instaladas) não devem ser sujeitas a calor excessivo como da luz do sol, fogo ou semelhantes.

Observe todos os avisos no aparelho, em circunstância alguma deve desmontar a unidade ou remover as coberturas para prevenir o risco de incêndio ou choque elétrico.

A tensão de funcionamento desta unidade está marcada numa placa sinalética na parte posterior da

unidade. Antes de ligar à rede elétrica, verifique se a tensão é igual à da sua rede elétrica.

Cuidado: Alterações ou modificações não aprovadas expressamente pelo fabricante podem invalidar a autoridade do utilizador para operar o dispositivo.

Cuidado: A utilização dos controlos ou ajustes, ou a realização de procedimentos além daqueles aqui especificados pode resultar numa exposição perigosa.

Aviso: Utiliza-se o conector de entrada CA como um dispositivo de desconexão seguro. Deve ser facilmente acessível após a instalação.

Aviso: Para reduzir o risco de incêndio ou de choque elétrico, não exponha o produto à chuva ou a humidade. Não se deve expor o produto a gotejamentos e a salpicos nem a objetos que contenham líquidos. Além disso, não se devem pousar vasos de flores sobre o produto.

Para evitar o perigo de asfixia, conserve todas as embalagens e sacos de polietileno longe de bebés e crianças.

Terceiros: Na improvável improbabilidade de passar este produto a terceiros, inclua estas instruções de funcionamento com o produto.

### Eliminação correta deste produto



Esta marca indica que este produto não deve ser eliminado juntamente com outros resíduos domésticos em toda a UE. Para prevenir possíveis danos no ambiente ou na saúde humana resultantes da eliminação de resíduos não controlada, recicle o produto responsavelmente para promover a reutilização sustentável de recursos materiais. Para entregar o seu dispositivo usado, utilize os sistemas de retorno e recolha ou contacte o vendedor a quem comprou o produto. Por esses meios pode reciclar este produto de uma forma segura para o ambiente.

## Informações de segurança

### Reparação

Remeta a manutenção para um técnico qualificado.

É necessário efetuar a manutenção quando a unidade tiver sido danificado de qualquer forma, por ex.: se o cabo de alimentação ou a ficha forem danificados, se tiver sido derramado líquido sobre a unidade ou se esta tiver sido alvo da queda de objetos, se o aparelho tiver sido exposto a chuva ou a humidade, se não funcionar normalmente ou se tiver caído.

O equipamento para fins de manutenção deve ser devolvido ao fornecedor ou ao representante da sua área.

### Aviso importante para os utilizadores do Reino Unido

O cabo de alimentação do Reino Unido termina com uma ficha elétrica aprovada para o Reino Unido equipada com um fusível de 3 A. Se for necessário substituir o fusível, deve-se utilizar um fusível BS1362 com a aprovação ASTA ou BSI de 3 A.

## Notas

### Declaração FCC (para clientes dos EUA)

Este dispositivo está em conformidade com a Parte 15 das Regras FCC. O funcionamento está sujeito às seguintes duas condições: (1) este dispositivo não pode provocar interferências prejudiciais e (2) este dispositivo deve aceitar qualquer interferência recebida, incluindo interferências que possam provocar um funcionamento indesejado.

Este equipamento foi testado e cumpre os limites de um dispositivo digital de Classe B, em conformidade com a parte 15 das Regras FCC. Esses limites foram estabelecidos para fornecer uma proteção razoável contra interferências prejudiciais numa instalação residencial. Este equipamento gera, utiliza e pode irradiar energia de radiofrequência e, se não for instalado e utilizado de acordo com o manual de instruções, pode provocar interferências prejudiciais em radiocomunicações. Contudo, não há garantia de que não ocorram interferências numa instalação particular. Se este equipamento provocar interferências prejudiciais na receção de rádio ou de televisão, o que é possível determinar ligando e desligando o equipamento, encorajamos o utilizador a tentar corrigir a interferência através de um ou mais das seguintes medidas:

- Reorientar ou reposicione a antena recetora.
- Aumente a separação entre o equipamento e o recetor.
- Ligue o equipamento a uma tomada num circuito diferente daquele ao qual o recetor está ligado.
- Consulte o vendedor ou um técnico experiente de rádio/TV para obter assistência.

**CUIDADO!** Quaisquer alterações ou modificações efetuadas no dispositivo que não forem expressamente aprovadas pelo fabricante podem anular a autoridade do utilizador para operar o equipamento.

Este equipamento cumpre os limites da FCC relativos à exposição a radiação definidos para um ambiente não controlado. Este equipamento deve ser instalado e operado com uma distância mínima de 20 cm entre o radiador e o seu corpo.

### Declaração da Industry Canada (para clientes do Canadá)

CAN ICES-3 (B)/NMB-3(B)

O dispositivo cumpre a isenção dos limites de avaliação de rotina definidos na secção 2.5 da norma RSS 102 e está em total conformidade com a norma RSS-102 RF. Os utilizadores podem obter informações sobre exposição a RF e conformidade junto da Industry Canada.

Este dispositivo cumpre as normas RSS isentas de licença da Industry Canada. O funcionamento está sujeito às seguintes duas condições:

1. Este dispositivo não pode provocar interferências prejudiciais e
2. Este dispositivo deve aceitar qualquer interferência recebida, incluindo interferências que possam provocar um funcionamento indesejado.

## Introdução

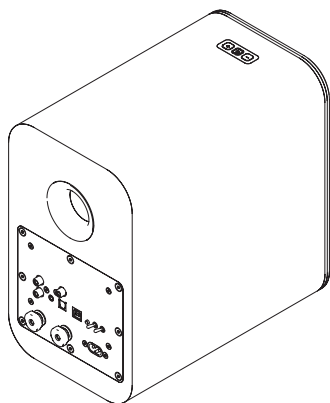
Obrigado pela compra do sistema de música sem fios Q Acoustics M20 HD.

Este manual pretende ajudá-lo a efetuar a configuração e a instalação, além de o ajudar a obter o desempenho ideal do produto.

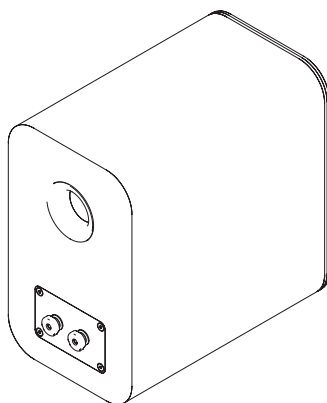
Leia as instruções, as informações importantes de segurança e os avisos com cuidado antes de instalar e utilizar, para assegurar o funcionamento seguro e satisfatório do produto.

O sistema Q M20 combina um desempenho de som estéreo excepcional com uma conectividade conveniente e amplificação integrada.

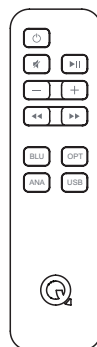
## Conteúdo da embalagem



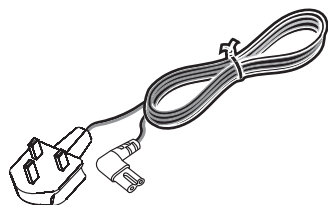
1 x altifalante amplificado



1 x altifalante passivo



1 x controlo remoto



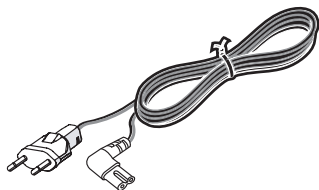
1 x cabo de alimentação do Reino Unido\*



2 x tampas de espuma



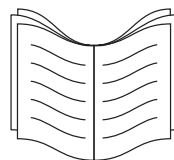
2 x pilhas do controlo remoto



1 x cabo de alimentação da UE\*



1 x cabo de altifalante de 4 m



1 x manual do proprietário

\*Os cabos de alimentação fornecidos podem variar consoante a versão do mercado.

## Resumo das características

### Conectividade com fios

- Entrada de áudio analógica – As entradas phono estéreo ou entradas estéreo de 3,5 mm permitem a ligação a uma fonte de áudio analógica externa como um leitor de CD
- Entrada digital ótica - Permite a ligação a uma fonte de áudio digital externa como um televisor
- Saída de altifalante – Entradas estéreo de 4 mm, que permitem a ligação do altifalante amplificado ao altifalante passivo
- USB – Uma entrada USB tipo B, que permite a ligação a um computador
- Saída Sub – Uma saída subwoofer phono para a ligação a um subwoofer externo.

### Conectividade sem fios

- Bluetooth® HD – Uma ligação sem fios internacional utilizada para o streaming de áudio a partir de todos os dispositivos compatíveis.
- AVRCP – Um protocolo de controlo Bluetooth que sincroniza o controlo de Volume e Silenciar do seu dispositivo para uma integração fácil do altifalante Q Acoustics.

### Acústica

Interruptor de posição esquerda/direita - Permite colocar o altifalante amplificado como o altifalante esquerdo ou direito do par, o que estiver mais perto de uma tomada elétrica.

Interruptor de controlo de contorno – Controlo do utilizador da definição do EQ para um melhor desempenho acústico. É possível alterar consoante a posição do altifalante, o suporte ou a preferência do utilizador.

## Pilhas do controlo remoto

### Instalação ou substituição das pilhas

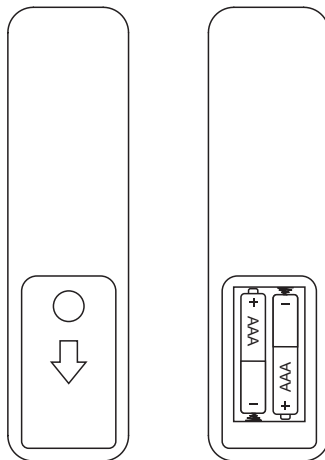
- Deslize a tampa das pilhas para fora do controlo remoto na direção indicada.
- Levante a tampa do controlo remoto.
- Remova as pilhas gastas (se necessário).
- Instale novas pilhas observando a polaridade, conforme indicado.

Ao substituir as pilhas, utilize apenas as do mesmo tipo AAA.

Recomendamos pilhas alcalinas. Outros tipos de pilhas podem desenvolver fugas e provocar danos.

### Eliminação das pilhas

Elimine as pilhas usadas de acordo com os regulamentos de reciclagem da sua área. NÃO provoque um curto-circuito nas pilhas nem as atire para a água, para o fogo nem as junte ao lixo doméstico.

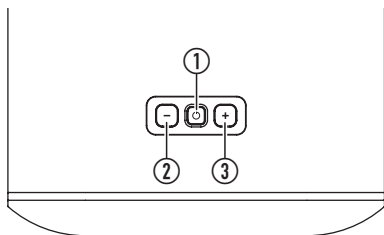






## Botões

### Controlos do altifalante



#### 1. Standby/fonte

Prima para ligar, mantenha premido para colocar em standby

Prima para mudar a fonte

Ao manter premido durante um longo período em standby faz com que a unidade entre em standby profundo

#### 2. —

Prima para diminuir o volume apenas um pouco

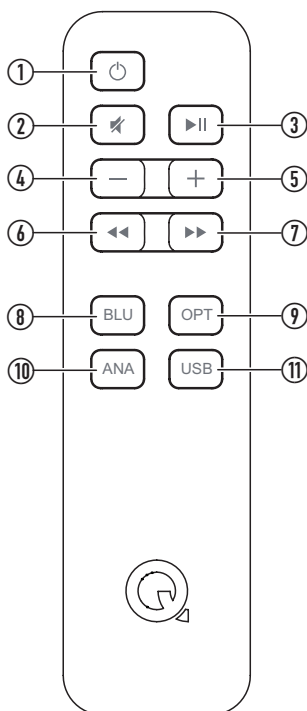
Mantenha premido para diminuir o volume continuamente

#### 3. +

Prima para aumentar o volume apenas um pouco

Mantenha premido para aumentar o volume continuamente

### Controlo remoto



#### 1.

Coloca o sistema em standby, liga a entrada ótica

#### 2.

Desativa/ativa o som dos altifalantes

#### 3.

Pausa/reproduz o áudio apenas na entrada Bluetooth

#### 4. —

Uma pressão curta diminui um nível do volume

Uma pressão prolongada diminui continuamente o volume

#### 5. +

Uma pressão curta aumenta um nível do volume

Uma pressão prolongada aumenta continuamente o volume

#### 6.

Recua uma faixa apenas na entrada Bluetooth

#### 7.

Avança uma faixa apenas na entrada Bluetooth

#### 8. BLU

Seleciona a entrada Bluetooth, coloca o sistema no modo de emparelhamento com uma pressão prolongada

#### 9. OPT

Seleciona a entrada ótica

#### 10. ANA

Seleciona a entrada analógica

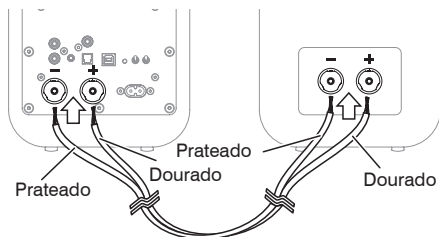
#### 11. USB

Seleciona a entrada USB

## Funcionamento

### Ligação entre os altifalantes

Primeiro, ligue o cabo dos altifalantes fornecido entre os dois altifalantes. Os fios possuem cores diferentes para identificar as polaridades + e -. Assegure que utiliza sempre o fio dourado para + e o fio prateado para - em ambas as extremidades.



### Montagem e posicionamento dos altifalantes

Basta colocar os altifalantes de cada lado da posição de escuta principal numa superfície plana apropriada, idealmente separados por cerca de 2 - 4 m.

Alternativamente, pode utilizar o Q M20 com o suporte de chão Q 3000FSi ou o suporte de parede Q 3000WB (disponível separadamente); siga as instruções fornecidas com esses produtos.

- O altifalante amplificado pode ser colocado à direita ou à esquerda, basta definir o interruptor left/right (esquerda/direita) em conformidade.

### Ajustar o interruptor EQ

- Pode ajustar a resposta dos graves dos altifalantes para se adequarem ao nível de graves que pretende, que é afetado pela posição do altifalante em relação a uma parede, prateleira ou canto. Tente ouvir os seus altifalantes M20 em cada uma das três posições e selecione a sua preferida.

■ *Esta posição gera mais graves e é adequada se os altifalantes forem colocados longe das paredes ou cantos.*

■ | *Esta posição gera graves moderados e é adequada se os altifalantes forem colocados perto de uma parede ou numa prateleira.*

■ | *Esta posição é a que gera menos graves e é adequada se os altifalantes forem colocados nos cantos da divisão.*

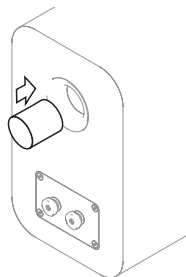
### Subwoofer opcional

É possível ligar um subwoofer à saída SUB, como opção. O subwoofer deve incluir controlos de nível e de transição. Com o subwoofer ligado, reproduza música com um bom conteúdo de graves e ajuste os controlos do subwoofer conforme o som da sua preferência.

### Amortecimento dos orifícios

Os altifalantes Q M20 possuem orifícios traseiros e foram concebidos para um desempenho superior com algum espaço atrás, por ex.: cerca de 200 mm afastados da parede. Se posicionar os altifalantes perto de uma parede / canto, então deve inserir as tampas de espuma nas entradas traseiras, caso contrário poderá haver demasiados graves.

- Assegure que as tampas estão bem inseridas na entrada, sem as introduzir demasiado.



*Irá constatar que o nível de graves reduz, mas que a definição e a extensão dos graves aumenta.*

*Experimente para ver o que prefere e tente efetuar pequenas alterações na posição do altifalante para otimizar o resultado final.*

### Ligar

- Ligue o cabo de alimentação ao altifalante amplificado e ligue-o a uma tomada.

*Depois de conectado, o LED standby acende a vermelho.*

- Para ligar o sistema, prima no controlo remoto ou no painel de controlo.
- Para colocar o sistema em standby, prima no controlo remoto ou mantenha premido no painel de controlo.

### Standby automático

O sistema Q M20 inclui uma funcionalidade de standby automático para poupar energia. Se não for reproduzida música durante vinte minutos, o sistema entra automaticamente em Standby.

## Funcionamento

### Reproduzir áudio por Bluetooth

Pode utilizar muitos dispositivos Bluetooth para reproduzir áudio através do sistema Q M20. Primeiro, tem de emparelhar o dispositivo Bluetooth com o altifalante seguindo as instruções seguintes.

1. Mantenha premido o botão de entrada Bluetooth no controlo remoto até o LED azul piscar no altifalante. Alternativamente, prima o botão Bluetooth na parte traseira do altifalante amplificado; o LED pisca a azul.
2. Selecione as definições Bluetooth no dispositivo e, nos dispositivos, procure Q M20 HD.
3. Selecione o dispositivo Q M20 HD na lista de novos dispositivos Bluetooth.  
*Depois de ligado, o LED para de piscar e permanece aceso a azul.*
4. Agora pode reproduzir áudio a partir do seu dispositivo.

Após emparelhar um dispositivo, a partir daí basta ligar ao Q M20, que se irá ativar, e selecionar a entrada Bluetooth.

Ao reproduzir áudio, pode utilizar o dispositivo, o controlo remoto ou os botões no altifalante amplificado para alterar o volume. Também pode utilizar o controlo remoto para reproduzir, pausar e saltar faixas.

### Apagar a lista de emparelhamentos Bluetooth


Pode apagar todos os dispositivos da memória da lista de emparelhamentos Bluetooth, se necessário, seguindo os seguintes passos:

1. Coloque os altifalantes no modo de emparelhamento Bluetooth mantendo premido o botão de fonte BLU no controlo remoto; o LED pisca a azul.
2. Mantenha premido novamente o botão de fonte BLU no controlo remoto até o LED apagar e, em seguida, pisca três vezes.

*A lista de emparelhamentos Bluetooth foi agora apagada da memória e é necessário voltar a emparelhar os dispositivos para estabelecer ligação.*


### Reproduzir áudio digital ótico

Utilize um cabo ótico TOSLINK padrão para ligar a fonte de áudio digital ao altifalante Q M20 amplificado.

- Prima o botão OPT no controlo remoto ou prima o botão  no altifalante até o LED acender a branco.

Pode utilizar o controlo remoto ou os botões no altifalante amplificado para alterar o volume.


### Reproduzir áudio analógico

- Utilize as entradas *phono* ou a entrada estéreo de 3,5 mm para ligar a fonte de áudio analógica. Prima o botão ANA no controlo remoto ou prima o botão  no altifalante até o LED acender a verde.

Pode utilizar o controlo remoto ou os botões no altifalante amplificado para alterar o volume.

### Reproduzir áudio por USB

Ligue um cabo do tipo USB A-B do computador ao altifalante amplificado Q M20.

- Prima o botão USB no controlo remoto ou prima o botão  no altifalante até o LED acender a amarelo.

Em seguida, tem de transferir o controlador USB correto a partir do website da Q Acoustics aqui:

[support.qacoustics.co.uk](http://support.qacoustics.co.uk)

Guarde o ficheiro no computador, em seguida siga estas instruções para o Windows 10

1. Abra 'Gestor de dispositivos'
2. Selecione 'USB2.0 High-Speed True HD Audio' em 'Controladores de som, vídeo e jogos'
3. Selecione 'Controlador' e, depois, 'Atualizar controlador'
4. Selecione 'Procurar controladores no computador' e, depois, procure a pasta transferida e selecione
5. O Windows irá atualizar o controlador
6. Depois de concluído, pode selecionar 'SPDIF (USB2.0 High-Speed True HD Audio)' a partir da seleção de altifalantes.
7. Abra a aplicação de reprodução de música e desfrute.

Pode utilizar o controlo remoto ou os botões no altifalante amplificado para alterar o volume.

## Funcionamento

### Estados do LED

|  |  |
|--|--|
| Vermelho   | O sistema está em standby  |
| Vermelho escuro  | O sistema está em standby profundo   |
| Branco   | O sistema está a reproduzir a fonte ótica  |
| Branco, intermitente                                     | A ajustar o volume   |
| Branco, intermitência dupla a cada 3 segundos            | A entrada ótica está a receber áudio multicanal ou dolby digital que não é possível reproduzir |
| Azul   | O sistema está a reproduzir a fonte Bluetooth  |
| Azul, pulsação lenta                                     | Nenhum dispositivo Bluetooth ligado  |
| Azul intermitente  | Modo de emparelhamento Bluetooth   |
| Azul, intermitência tripla                               | A lista de emparelhamento Bluetooth foi apagada  |
| Verde  | O sistema está a reproduzir a fonte analógica  |
| Amarelo  | O sistema está a reproduzir a fonte USB  |
| Cor da fonte (branco, azul, verde, amarelo) intermitente | Som desativado   |

## Especificações

### Desempenho do amplificador

|  |                        |
|--|------------------------|
| Potência de saída (<1% THD).....                           | 2 x 32 W/4 Ω           |
| THD (a 20 W/4 Ω).....                                      | <0,2%                  |
| Freq resp (DSP plano) .....                                | 20 Hz a 20 kHz ±0,5 dB |
| Relação S/N (aux, A-Wtd, vol máx, ref 1 W) >               | -81 dB                 |
| Sensibilidade de entrada analógica (para 32 W) .....       | 395 mV                 |
| Sobrecarga de entrada analógica .....                      | 2,2 V                  |
| Sensibilidade de entrada <i>Minijack</i> (para 32 W) ..... | 220 mV                 |
| Sobrecarga de entrada <i>Minijack</i> .....                | 1,2 V                  |
| Saída do Sub (100 Hz, a 32 W nos canais principais).....   | 380 mV                 |
| Entrada ótica .....  | Toslink                |
| Intervalo de taxa de amostragem da entr ótica.....         | 24 bit/192 kHz         |
| Intervalo de taxa de amostragem da entr USB .....          | 24 bit/192 kHz         |

### Altifalantes

|                                |                                  |
|--------------------------------|----------------------------------|
| Tipo de caixa.....             | reflex de 2 vias (com orifícios) |
| Controlador de médios.....     | 125 mm (5 pol)                   |
| Tweeter .....                  | 22 mm (0,9 pol)                  |
| Frequência de transição .....  | 2,4 kHz                          |
| Resp freq (livre, -6 dB) ..... | 55 Hz a 22 kHz                   |

### Alimentação

|                             |                         |
|-----------------------------|-------------------------|
| Tensão de alimentação ..... | 100 V - 240 V, 50-60 Hz |
| Consumo máximo .....        | 125 W                   |
| Consumo em standby .....    | <0,5 Watts              |

### Bluetooth®

|                               |   |
|-------------------------------|---|
| Especificação Bluetooth ..... | V5.0  |
| Melhoramentos de música ..... | apt X, aptX HD®<br>Baixa latência apt X, SBC, CAA |

### Dimensões

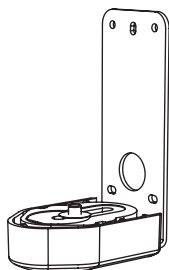
|                  |  |
|------------------|--|
| (L x A x D)..... | 170 mm x 279 mm x 296 mm<br>6 <sup>11</sup> / <sub>16</sub> " x 11" x 11 <sup>5</sup> / <sub>8</sub> " |
|------------------|--|

### Peso

|                               |                      |
|-------------------------------|----------------------|
| Altifalante amplificado ..... | 5,5 kg<br>12 lb 2 oz |
| Altifalante passivo .....     | 5,1 kg<br>11 lb 4 oz |

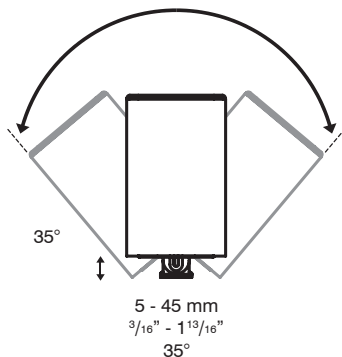
## Acessórios

Suporte de parede Q 3000WB



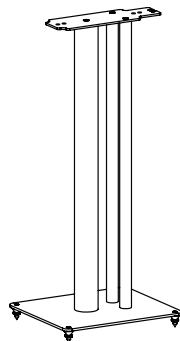
Dimensões (LxAxD): 70 x  
159 x 99 mm  
 $2\frac{3}{4}'' \times 6\frac{3}{32}'' \times 3\frac{7}{8}''$   
Ângulo de ajuste do Q

3000WB



5 - 45 mm  
 $\frac{3}{16}'' - 1\frac{13}{16}''$   
35°

Suporte de chão Q 3000FSi



Dimensões (L x A x D):  
250 x 682 x 290 mm  
 $9\frac{7}{8}'' \times 29\frac{13}{16}'' \times 1\frac{17}{16}''$

## Garantia

O sistema Q M20 tem uma garantia de isenção de defeitos materiais e de acabamentos durante um período de 1 ano a partir da data de compra. Durante o período da garantia, a Q Acoustics irá, a seu critério, reparar ou substituir qualquer produto considerado defeituoso após uma inspeção efetuada pela empresa ou pelo distribuidor ou agente nomeado.

A garantia não cobre a utilização indevida nem o desgaste razoável do produto.

Os artigos para reparação devem, em primeira instância, ser devolvidos ao fornecedor. Se tal não for possível, entre em contato com a Q Acoustics, ou com o distribuidor designado para a sua área, para determinar o procedimento de garantia correto. Se possível, deve-se utilizar a embalagem original para devolver o produto, uma vez que os danos sofridos durante o transporte para o centro de reparação não são cobertos pela garantia. A garantia não afeta de forma alguma os seus direitos legais.

A garantia pode ser alargada para 2 anos, ao registar o seu produto em -  
[www.qacoustics.co.uk/register](http://www.qacoustics.co.uk/register).

PT

## Contacto

### Administração central

Q Acoustics  
Woodside 2  
Dunmow Road  
Bishops Stortford  
Hertfordshire, Reino Unido  
CM23 5RG

### Base de dados de conhecimentos

Para qualquer informação adicional não contida neste manual, questões de apoio e/ou pedidos, visite o nosso Portal de Base de Dados de Conhecimentos online em:

[support.qacoustics.co.uk](http://support.qacoustics.co.uk)

### Informações de assistência

[support@qacoustics.co.uk](mailto:support@qacoustics.co.uk)



## M20 HD TRÅDLÖST SYSTEM ÄGARMANUAL

SE

### **EG-FÖRSÄKRAN OM ÖVERENSSTÄMMELSE**

M20 överensstämmer med följande EEG-direktiv, deras stödjande lagstadgar och tillämpliga standarder, där så är tillämpligt enligt följande:

Rådets direktiv om elektromagnetisk kompatibilitet 2004/108/EG

Tillämpliga normer med ändringar: SS-EN 55032, SS-EN 55035

Lågspänningsdirektivet 2006/95/EEG

Tillämplig standard med ändringar: SS-EN 62368

EU trådlöst: SS-EN 300328, SS-EN 301489, IEC 62321

Steg 1 i bilaga II i Kommissionens förordning (ErP) EG nr 1275/2008



Bluetooth-märket och -logotypen är registrerade varumärken som ägs av Bluetooth SIG, Inc. och all användning av sådana märken av Armour Home Electronics Ltd. sker under licens. AptX®-märket och aptX-logotypen är varumärken som tillhör CSR plc eller något av dess koncernbolag och kan vara registrerade i en eller flera jurisdiktioner. Andra varumärken och varumärkesnamn tillhör respektive ägare.

# Innehåll

|  |    |
|--|----|
| Säkerhetsinformation .....                                 | 1  |
| Viktig information – läs noggrant .....                    | 1  |
| Korrekt kassering av denna produkt .....                   | 1  |
| Service.....   | 2  |
| Viktigt meddelande för brittiska användare .....           | 2  |
| Anteckningar .....   | 2  |
| FCC-meddelande (för kunder i USA) .....                    | 2  |
| Industry Canada-meddelande (för kanadensiska kunder) ..... | 2  |
| Introduktion .....   | 2  |
| Förpackningens innehåll .....                              | 3  |
| Sammanfattning av funktioner .....                         | 4  |
| Kabelanslutning .....                                      | 4  |
| Trådlös anslutning .....                                   | 4  |
| Ljud.....  | 4  |
| Fjärbatterier.....   | 4  |
| Nyckel .....   | 5  |
| Bakre högtalaranslutningar och reglage .....               | 5  |
| Högtalkontroller .....                                     | 6  |
| Fjärrkontroll .....  | 6  |
| Användning .....   | 7  |
| Ansluta mellan högtalarna .....                            | 7  |
| Högtalarposition och montering .....                       | 7  |
| Automatisk standby .....                                   | 8  |
| Spela ljud via Bluetooth .....                             | 8  |
| Rensa Bluetooth-parkopplingslistan.....                    | 8  |
| Spela upp ljud med optisk digital .....                    | 8  |
| Spela ljud med analog .....                                | 8  |
| Spela ljud med USB.....                                    | 8  |
| LED-statusar.....  | 9  |
| Specifikation.....   | 9  |
| Förstärkarens prestanda .....                              | 9  |
| Högtalare.....   | 9  |
| Effekt .....   | 9  |
| Bluetooth® .....   | 10 |
| Mått.....  | 10 |
| Vikt.....  | 10 |
| Tillbehör .....  | 10 |
| Garanti.....   | 10 |
| Kontakt .....  | 10 |
| Huvudkontor .....  | 10 |
| Kunskapsbas.....   | 10 |
| Serviceinformation .....                                   | 10 |

## Säkerhetsinformation

### Viktig information – läs noggrant



dubbelisolerad elektrisk apparat. Den har utformats på ett sådant sätt att den inte behöver någon anslutning till jord.

Läs och spara dessa instruktioner.

Beakta alla varningar och följ alla instruktioner.

Använd inte apparaten i närheten av vatten.

Rengör endast med en torr, mjuk trasa.

Blockera inte ventilationsöppningarna.

Installera enligt tillverkarens anvisningar.

Installera aldrig intill värmekällor som värmeelement, varmluftsintag, spisar eller annan utrustning som producerar värme (inklusive förstärkare).

Undvik att strömkabeln blir trampad på eller kommer i kläm, särskilt intill kontakter, extrauttag och där kabeln kommer ut från apparaten.

Använd endast tillbehör som godkänts av tillverkaren.

Använd endast tillsammans med vagn, ställning, trebensstativ, fäste eller bord enligt tillverkarens specifikationer eller som säljs tillsammans med enheten. Vid användning av vagn, var försiktig när vagnen och enheten flyttas för att undvika personskador om ekipaget välter.

Koppla ur enheten vid åskväder eller när de ska stå oanvända under lång tid.

Motverka inte syftet med den polariserande eller jordade kontakten. En polariserande kontakt har två blad, det ena bredare än det andra. En jordad kontakt har två blad och ett tredje jordningsstift. Det bredare bladet eller jordningsstiftet är till för din säkerhet. Om den medföljande kontakten inte passar i ditt uttag, kontakta en elektriker för att få uttaget utbytt.

Inga öppna lågor som stearinljus ska placeras på produkten.

Batterier (ett batteripaket eller installerade batterier) ska inte utsättas för överdriven värme, t.ex. solsken, eld eller liknande.



Denna symbol visar att det finns viktiga anvisningar för drift och underhåll i den information som medföljer enheten.



Denna symbol visar att farlig spänning utgör en risk för elchock inom enheten.

Denna utrustning är en klass II- eller

Notera alla varningar på apparaten, och ta under inga omständigheter isär enheten eller ta bort höljen för att förhindra risken för brand eller elektriska stötar.

Nätdriftspänningen för denna enhet anges på en märkplåt på enhetens baksida. Kontrollera att spänningen är densamma som i elnätet innan du ansluter den till elnätet.

Varning: Ändringar eller modifieringar som inte uttryckligen har godkänts av tillverkaren kan medföra att enheten inte längre får användas.

Varning: Användning av kontrollor eller justeringar eller utförande av andra procedurer än de som anges här kan leda till farlig exponering.

Varning: AC-kontakten används som en säkerhetsbrytare. Den måste vara lättillgänglig efter installationen.

Varning: För att minska risken för brand eller elektriska stötar, utsätt inte produkten för regn eller fukt. Denna produkt får inte utsättas för dropp eller stänk. Placera inte heller några vätskefyllda behållare, såsom en vas med blommor, på enheten.

För att undvika risken för kvävning, håll alla polyetenpåsar och förpackning utom räckhåll för spädbarn och barn.

Tredje part: I den osannolika händelsen att du skulle lämna produkten vidare till en tredje part, inkludera denna bruksanvisning med produkten.

### Korrekt kassering av denna produkt



Denna märkning visar att produkten inte får kasseras med övrigt hushållsavfall någonstans i EU. För att förhindra möjliga skada på miljön eller människors hälsa på grund av okontrollerad sophantering, återvinn avfallet på rätt sätt för att främja hållbar återvinning av materiella resurser. Lämna din förbrukade enhet till en återvinningsstation eller kontakta återförsäljaren som sålde produkten. Återförsäljaren kan ta emot produkten för miljövänlig återvinning.



## Säkerhetsinformation

### Service

Överlåt all service till kvalificerad servicepersonal. Service är nödvändig när enheten har skadats på något sätt, om till exempel kabeln eller kontakten är skadad, vätska har spillts på eller föremål har kommit in i enheten, apparaten har utsatts för regn eller fukt, inte fungerar normalt eller har tappats.

Utrustning som behöver service ska returneras till återförsäljaren eller till servicerepresentanten för ditt område.

### Viktigt meddelande för brittiska användare

Den brittiska nätsladden avslutas med en i Storbritannien godkänd nätkontakt försedd med en 3 A-säkring. Om säkringen måste ersättas ska en ASTA- eller en BSI-godkänd BS1362-säkring på 3A användas.

## Anteckningar

### FCC-meddelande (för kunder i USA)

Enheten uppfyller del 15 i FCC-bestämmelserna. Följande två användningsvillkor gäller för enheten: (1) enheten får inte orsaka skadliga störningar, och (2) enheten måste acceptera alla störningar som tas emot, inklusive störningar som kan leda till önskad drift.

Utrustningen har testats och uppfyller gränserna för en digital enhet i klass B, i enlighet med del 15 i FCC-bestämmelserna. Gränserna har tagits fram för att ge rimligt skydd mot skadliga störningar vid installation i bostadshus. Utrustningen genererar, använder och kan sända ut radiofrekvensenergi, och om den inte installeras och används i enlighet med anvisningarna i bruksanvisningen, kan skadliga störningar uppstå på radiokommunikation. Det finns dock ingen garanti för att störningar inte inträffar, oavsett installation. Om utrustningen orsakar störningar på radio- och tv-mottagningen (du kan bekräfta om så är fallet genom att stänga av och slå på utrustningen) uppmanas användaren att försöka åtgärda störningarna med en eller fler av följande åtgärder:

- Ändra riktning på mottagarantennen eller placera den någon annanstans.
- Öka avståndet mellan utrustning och mottagare.
- Ansluta utrustningen till ett uttag som hör till en krets som din mottagare inte är ansluten till.
- Rådgör med återförsäljaren eller en erfaren radio-/tv-tekniker.

**WARNING!** Ändringar eller modifieringar av enheten som inte uttryckligen godkänts av tillverkaren kan ogiltigförklara användarens rätt att använda utrustningen.

Utrustningen uppfyller strålningsexponeringsgränserna för en okontrollerad miljö. Denna utrustning ska installeras och användas med minsta avstånd 20 cm mellan kylaren och användarens kropp.

### Industry Canada-meddelande (för kanadensiska kunder)

CAN ICES-3 (B)/NMB-3(B)

Enheten uppfyller undantaget från rutinutvärderingsgränserna som anges i avsnitt 2.5 i RSS 102 och uppfyller helt bestämmelserna i RSS-102 RF. Användare kan hämta information om RF-exponering och efterlevnad från Industry Canada.

Enheten uppfyller Industry Canadas licensundantagna RSS-standarder. Följande två användningsvillkor gäller för enheten:

1. Enheten får inte orsaka skadliga störningar och
2. Enheten måste acceptera alla störningar som tas emot, inklusive störningar som kan leda till önskad drift.

## Introduktion

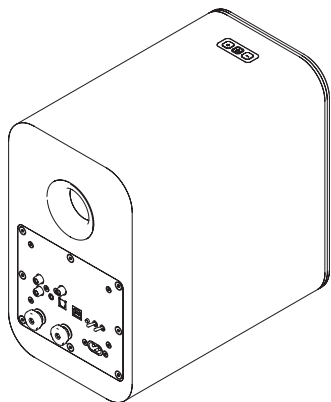
Tack för att du har köpt Q Acoustics M20 HD trådlöst musiksystem.

Denna bruksanvisning är avsedd att hjälpa dig med installationen så att du får optimal prestanda från produkten.

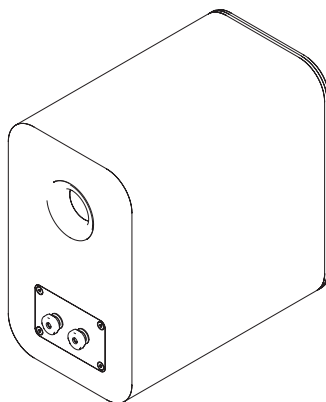
Läs instruktionerna, viktiga säkerhetsanvisningar och varningar innan du installerar och använder produkten för att säkerställa en säker och tillfredsställande användning av produkten.

Q M20-systemet kombinerar enastående stereoljudprestanda med bekväm anslutning och integrerad förstärkning.

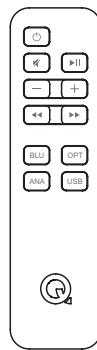
## Förpackningens innehåll



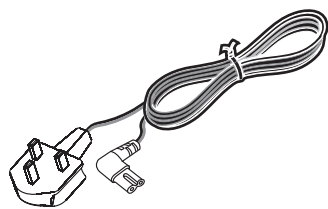
1 x förstärkt högtalare



1 x passiv högtalare



1 x fjärrkontroll



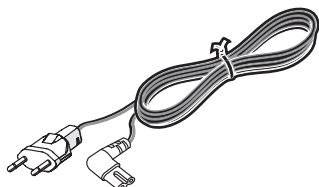
1 x brittisk nätkabel\*



2 x skumgummiproppar



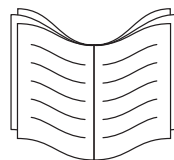
2 x fjärrbatterier



1 x EU-strömkabel\*



1 x 4 m högtalarkabel



1 x bruksanvisning

\* Strömkabel/strömkablar som medföljer kan variera beroende på marknadsversion.

SE

## Sammanfattning av funktioner

### Kabelanslutning

- Analog ljudingång\* – Stereo phono-uttag eller 3,5 mm stereouttag tillåter anslutning till en extern analog ljudkälla, till exempel en CD-spelare
- Optisk digital ingång – Möjliggör anslutning till en extern digital ljudkälla, till exempel en TV
- Högtalarutgång – 4 mm stereouttag som möjliggör anslutning från den förstärkta högtalaren till den passiva högtalaren
- USB – ett USB-uttag av typ B, vilket möjliggör anslutning till en dator/enhet
- Sub Out – En subwoofer-phonoutgång för anslutning till en extern subwoofer.

### Trådlös anslutning

- Bluetooth® HD – En internationell trådlös anslutning för strömning av ljud från alla kompatibla enheter.
- AVRCP – Ett kontrollprotokoll för Bluetooth som synkroniserar Volym och Tyst på din enhetskontroll för enkel integrering av vår Q Acoustics-högtalare.

### Ljud

Vänster/höger lägesbrytare – gör det möjligt för den förstärkta högtalaren att placeras som vänster eller höger högtalare i paret, beroende på vilken som är närmast ett eluttag.

Omkopplare för gränsförhållande – Användarkontroll för EQ-inställningar för bästa ljudprestanda. Dessa kan ändras utefter högtalarposition, montering eller användarpreferens.

## Fjärrbatterier

### Montera eller byta batterier

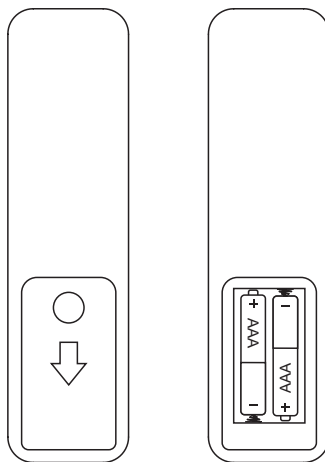
- Skjut batteriluckan från fjärrkontrollen i den riktning som visas.
- Lyft bort luckan från fjärrkontrollen.
- Ta bort de förbrukade batterierna (vid behov).
- Sätt i nya batterier och följ polariteten som på bilden.

Använd endast samma AAA-typ vid byte av batterier.

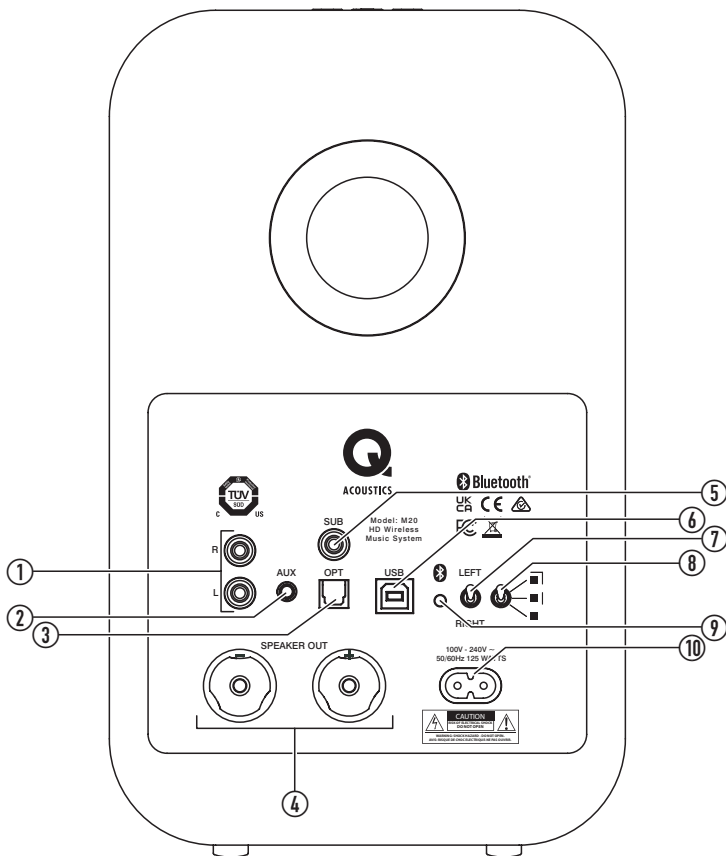
Alkaliska batterier rekommenderas. Andra typer av batterier kan läcka ut och orsaka skador.

### Kassering av batterier

Kassera förbrukade batterier med avseende på återvinningsföreskrifterna i ditt område. Kortslut INTE batterierna och släng dem inte i vatten eller i hushållsavfall och bränn dem inte.



## Bakre högtalaranslutningar och reglage



**1. Analog phono**

Anslut analog ljudkälla

**2. Analogt 3,5 mm-uttag**

Anslut analog ljudkälla (avaktiverar phono-uttag)

**3. Optisk Toslink**

Anslut digital optisk ljudkälla

**4. Högtalare ut**

Anslutning av passiv högtalare

**5. Sub**

Anslut valfri extern subwoofer

**6. USB**

Anslut datorns ljudkälla

**7. Högtalarposition**

Välj vänster eller höger position i rummet utifrån lyssnarposition

**8. EQ-brytare**

Justerar högtalarens basrespons

**9. Bluetooth**

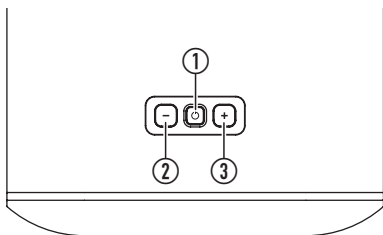
Tryck för att aktivera BT-parkopplingsläge

**10. Växelström**

Anslut till elnät 100 V/240 V

# Nyckel

## Högtalarkontroller



### 1. Standby/källa

Tryck för att slå på, tryck länge för standby-läge

Tryck för att byta källa

Håll in mycket länge i standby-läge för att gå till djup standby

### 2. —

Tryck för att minska volymen ett steg

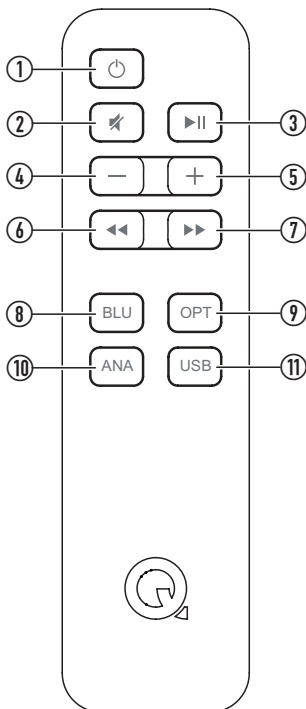
Håll nedtryckt för att minska volymen kontinuerligt

### 3. +

Tryck för att öka volymen ett steg

Håll nedtryckt för att öka volymen kontinuerligt

## Fjärrkontroll



### 1. ⏻

Försätter systemet i standby, slår på den optiska ingången

### 2. 🔇

Stänger av/slår på ljudet i högtalarna

### 3. ⏸

Pausar/spelar upp ljudet endast på Bluetooth-ingången

### 4. —

En kort tryckning minskar volymen med ett steg

Håll in för att kontinuerligt minska volymen

### 5. +

En kort tryckning ökar volymen med ett steg

Håll in för att kontinuerligt öka volymen

### 6. ⏮

Hoppar tillbaka ett spår på Bluetooth-ingången

### 7. ⏭

Hoppar ett spår framåt på Bluetooth-ingången

### 8. BLU

Väljer Bluetooth-ingång, ställer in systemet i parkopplingsläge med lång tryckning

### 9. OPT

Väljer optisk ingång

### 10. ANA

Väljer analog ingång

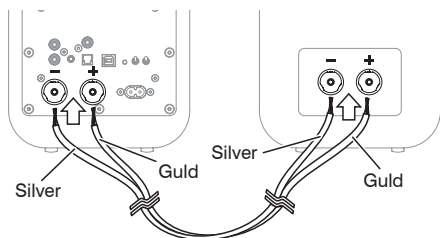
### 11. USB

Väljer USB-ingång

## Användning

### Ansluta mellan högtalarna

Anslut först den medföljande högtalarkabeln mellan de två högtalarna. Kablarna är olikfärgade på olika sätt för att identifiera polaritet + och -. Se till att du alltid använder guldråden för + och silverråden för - i båda ändrar.



### Högtalarposition och montering

Placera högtalarna på båda sidor om din huvudsakliga lyssnarposition på en lämplig plan yta, helst ca 2–4 meter från varandra.

Alternativt kan du använda Q M20 med Q 3000FSi golvstativ eller Q 3000WB-väggfäste (beställs separat). Följ instruktionerna som medföljer dessa.

- Den förstärkta högtalaren kan placeras antingen i höger eller vänster läge. Ställ helt enkelt in brytaren för vänster/höger korrekt.

### Justera EQ-brytaren

- Du kan justera högtalarnas basrespons efter önskad basnivå, vilket påverkas av högtalarpositionen i förhållande till en vägg, hylla eller ett hörn. Försök att lyssna på dina M20-högtalare i var och en av de tre positionerna och välj den som du är mest nöjd med.

■ *Den här positionen ger mest baseffekt och passar om högtalarna placeras på avstånd från väggar eller hörn.*

■ | *Denna position ger en medelnivå för baseffekten och lämpar sig om högtalarna placeras nära en vägg eller på en hylla.*

■ | | *Denna position ger minst baseffekt och passar om högtalarna placeras i rummets hörn.*

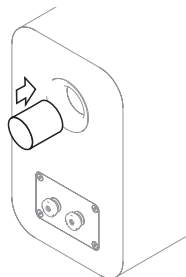
### Tillvals-subwoofer

En subwoofer kan anslutas till SUB-uttaget som ett tillval. Subwoofern ska ha nivå- och delningskontroller. När subwoofern är ansluten kan du spela upp musik med starkt basinnehåll och justera subwooferns reglage till det ljud du föredrar.

### Portdämpning

Högtalarna i Q M20-serien är portade bak och fungerar bäst med visst utrymme bakom dem, dvs ca 200 mm från väggen. Om du placerar dina högtalare nära en vägg eller i ett hörn ska skumgummipropparna sättas i de bakre portarna för att undvika för mycket bas.

- Se till att propparna sitter ordentligt i porten utan att skjuta in dem för långt.




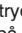

*Resultatet är att basnivån sänks men definitionen och basfrekvensen höjs.*

*Experimentera med placeringen av högtalarna för att se vad du föredrar och gör små ändringar åt gången för att optimera resultatet.*

### Slå på

- Anslut strömkabeln till den förstärkta högtalaren och anslut den till ett nätuttag.

*När standby-diodlampan har slagits på lyser den rött.*

- Slå på systemet genom att trycka på  på fjärrkontrollen eller kontrollpanelen.
- Ställ systemet i standby-läge genom att trycka på  på fjärrkontrollen eller trycka länge på  på kontrollpanelen.

### Automatisk standby

Q M20-systemet har energibesparande automatisk standbyfunktion. Om ingen musik har spelats i tjugo minuter kommer systemet automatiskt att ställas in standby-läge.

## Användning

### Spela ljud via Bluetooth

Du kan använda många Bluetooth-enheter för att spela upp ljud via Q M20-systemet. Först måste du parkoppla din Bluetooth-enhet med högtalaren på följande sätt:

1. Håll Bluetooth-ingångsknappen på fjärrkontrollen intryckt tills den blå lysdioden blinkar på högtalaren. Alternativt kan du trycka på Bluetooth-knappen på baksidan av den förstärkta högtalaren. Lysdioden blinkar blått.
2. Välj Bluetooth-inställningar på din enhet och leta efter Q M20 HD i enhetslistan.
3. Välj Q M20 HD-enheten i listan med nya Bluetooth-enheter.  
*När den är ansluten slutar lysdioden att blinka och lyser blått.*
4. Du kan nu spela upp ljud från din enhet.

När du har parkopplat enheten kan du enkelt ansluta den till Q M20 nästa gång. Då startas Bluetooth-ingången och väljs automatiskt.

När du spelar upp ljud kan du använda enheten, fjärrkontrollen eller knapparna på den förstärkta högtalaren för att ändra volymen. Du kan även använda fjärrkontrollen för att spela upp, pausa och hoppa över spår.

### Rensa Bluetooth-parkopplingslistan

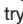
Du kan ta bort alla enheter från Bluetooth-parkopplingslistans minne om det behövs med hjälp av följande steg:

1. Placera högtalarna i läget för Bluetooth-parkoppling med ett långt tryck på BLU Source-knappen på fjärrkontrollen. Lysdioden blinkar blått.
2. Håll BLU Source-knappen på fjärrkontrollen intryckt igen tills lysdioden slocknar och sedan blinkar tre gånger.

*Bluetooth-parkopplingslistan har nu raderats från minnet och enheterna måste parkopplas igen för att kunna ansluta.*


### Spela upp ljud med optisk digital

Använd en standard optisk TOSLINK-kabel för att ansluta din digitala ljudkälla till den förstärkta Q M20-högtalaren.

- Tryck på knappen OPT på fjärrkontrollen eller tryck på -knappen på högtalaren tills lampan lyser vitt.

Du kan använda fjärrkontrollen eller knapparna på den förstärkta högtalaren för att ändra volymen.


### Spela ljud med analog

- Använd Phono-uttagen eller 3,5 mm stereouttaget för att ansluta din analoga ljudkälla. Tryck på ANA-knappen på fjärrkontrollen eller tryck på -knappen på högtalaren tills lysdioden lyser grönt.

Du kan använda fjärrkontrollen eller knapparna på den förstärkta högtalaren för att ändra volymen.

### Spela ljud med USB

Anslut en USB A-B-kabel från din dators enhet till den förstärkta Q M20-högtalaren.

- Tryck på USB-knappen på fjärrkontrollen eller tryck på -knappen på högtalaren tills lysdioden lyser gult.

Du behöver då hämta rätt USB-drivrutin från Q Acoustics webbplats här:

[support.qacoustics.co.uk](http://support.qacoustics.co.uk)

Spara filen på datorn och följ sedan dessa instruktioner för Windows 10

1. Öppna Enhetsshanteraren
2. Välj "USB 2.0 High-Speed True HD Audio" i "Ljud-, video- och spelenheter"
3. Välj "Drivrutin" och sedan "Uppdatera drivrutin"
4. Välj "Sök efter drivrutiner på min dator" och bläddra sedan till den hämtade mappen och välj
5. Windows uppdaterar sedan drivrutinen
6. När du är klar kan du välja "SPDIF (USB 2.0 High-Speed True HD Audio)" i högtalarvalet.
7. Öppna din applikation för musikuppspelning och njut.

Du kan använda fjärrkontrollen eller knapparna på den förstärkta högtalaren för att ändra volymen.

## Användning

### LED-statusar

|   |   |
|---|---|
| Röd                                       | Systemet är i standby-läge  |
| Mörkröd                                   | Systemet är i djupt standby-läge  |
| Vit                                       | Systemet spelar upp en optisk källa   |
| Vit, blinkande                            | Justerar volym  |
| Vit, dubbel blinkning var 3:e sekund      | Den optiska ingången tar emot flerkanaligt eller Dolby Digital-ljud som inte kan spelas upp |
| Blå                                       | Systemet spelar upp en Bluetooth-källa  |
| Blå, långsam puls                         | Ingen Bluetooth-enhet ansluten  |
| Blinkar blått                             | Bluetooth-parkopplingsläge  |
| Blå, blinkar tre gånger                   | Bluetooth-parkopplingslistan har raderats   |
| Grön                                      | Systemet spelar upp en analog källa   |
| Gul                                       | Systemet spelar upp en USB-källa  |
| Källfärg (vit, blå, grön, gul) pulserande | Tystkopplad   |

## Specifikation

### Förstärkarens prestanda

|   |                            |
|---|----------------------------|
| Uteffekt (< 1 % THD) .....                                      | 2 x 32 W//4 Ω              |
| THD (vid 20 W//4 Ω) .....                                       | < 0,2 %                    |
| Frekvenssvar (digital signalbehandling inställd neutralt) ..... | 20 Hz till 20 kHz ± 0,5 dB |
| S/N-förhållande (AUX, A-viktad, maxvolym, Ref 1 W) .....        | > -81 dB                   |
| Analog ingångskänslighet (för 32 W) .....                       | 395 mV                     |
| Analog ingångsöverlast .....                                    | 2,2 V                      |
| Minijack ingångskänslighet (för 32 W) .....                     | 220 mV                     |
| Minijack ingångsöverlast .....                                  | 1,2 V                      |
| Sub ut (100 Hz, vid 32 W huvudkanaler) .....                    | 380 mV                     |
| Optisk in .....   | Toslink                    |
| Optisk in i samplingsfrekvensområde .....                       | 24 bitar/192 kHz           |
| USB in i samplingsfrekvensområde .                              | 24 bitar/192 kHz           |

### Högtalare

|                                      |                        |
|--------------------------------------|------------------------|
| Kapslingstyp .....                   | 2-vägs reflex (portad) |
| Drivelement för mellanregister ..... | 125 mm (5,0 tum)       |
| Diskant .....                        | 22 mm (0,9 tum)        |
| Frekvens för delningsfilter .....    | 2,4 kHz                |
| Frekvenssvar (fritt, -6dB) .....     | 55 Hz - 22 kHz         |

### Effekt

|                           |                     |
|---------------------------|---------------------|
| Matningsspänning .....    | 100-240 V, 50-60 Hz |
| Maximal förbrukning ..... | 125 W               |
| Standby-förbrukning ..... | < 0,5 watt          |

### Bluetooth®

|                               |   |
|-------------------------------|---|
| Bluetooth-specifikation ..... | V5.0  |
| Musikförbättringar .....      | apt X, aptX HD®<br>apt X låg latens, SBC, AAC |

### Mått

|                   |  |
|-------------------|--|
| (B x H x D) ..... | 170 mm x 279 mm x 296 mm<br>6 <sup>11</sup> / <sub>16</sub> tum x 11 tum x 11 <sup>9</sup> / <sub>16</sub> tum |
|-------------------|--|

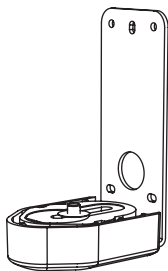
### Vikt

|                           |                    |
|---------------------------|--------------------|
| Förstärkt högtalare ..... | 5,5 kg<br>12lb 2oz |
| Passiv högtalare .....    | 5,1 kg<br>11lb 4oz |



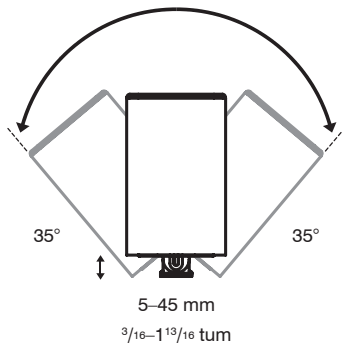
## Tillbehör

Q 3000WB väggfäste

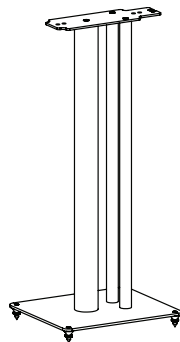


Mått (BxHxD): 70 x 159 x 99 mm  
2<sup>3</sup>/<sub>4</sub> tum x 6<sup>9</sup>/<sub>32</sub> tum x 3<sup>7</sup>/<sub>8</sub> tum

Q 3000WB justeringsvinkel



Q 3000FSi golvstativ



Mått (B x H x D):  
250 x 682 x 290 mm  
9<sup>7</sup>/<sub>8</sub> tum x 29<sup>13</sup>/<sub>16</sub> tum x 1<sup>17</sup>/<sub>16</sub> tum

## Garanti

Q 20-systemet garanteras vara fritt från defekter i material och utförande under en period av ett år från inköpsdatumet. Under garantiperioden kommer Q Acoustics att, efter eget val, reparera eller ersätta produkter som upptäckts vara defekta efter inspektion av företaget eller dess utsedda distributör eller agent.

Missbruk och normalt slitage omfattas inte av garantin.

Produkter som behöver lagas ska i första hand returneras till leverantören. Om detta inte är möjligt kontaktar du Q Acoustics eller vår utsedda distributör för ditt område för att få information om den korrekta garantirutinen. Om möjligt ska produkten returneras i originalförpackningen eftersom skador som kan uppstå under transporten till verkstaden inte omfattas av garantin. Garantin påverkar inte på något sätt dina juridiska rättigheter.

Garantin kan utökas till två år om du registrerar din produkt på

[www.qacoustics.co.uk/register](http://www.qacoustics.co.uk/register).

SE

## Kontakt

### Huvudkontor

Q Acoustics  
Woodside 2  
Dunmow Road  
Bishops Stortford  
Hertfordshire, Storbritannien  
CM23 5RG

### Kunskapsbas

För ytterligare information som inte ingår i den här handboken, supportfrågor och/eller förfrågningar, besök vår kunskapsbasportal på:

[support.qacoustics.co.uk](http://support.qacoustics.co.uk)

### Serviceinformation

[support@qacoustics.co.uk](mailto:support@qacoustics.co.uk)



## SYSTEM BEZPRZEWODOWY M20 HD

### INSTRUKCJA OBSŁUGI

#### **DEKLARACJA ZGODNOŚCI WE**

Produkt M20 jest zgodny z następującymi dyrektywami EWG, odpowiednimi rozporządzeniami i normami:

Dyrektywa Rady WE w zakresie zgodności elektromagnetycznej 2004/108/WE.

Odpowiednie normy ze zmianami: EN55032, EN55035.

Dyrektywa niskonapięciowa WE 2006/95/EWG.

Odpowiednia norma ze zmianami: EN62368.

Normy UE dotyczące sieci bezprzewodowych: EN300328, EN301489, IEC62321.

Etap 1 załącznika II rozporządzenia Komisji (ErP) WE nr 1275/2008.



Znak słowny i logo Bluetooth to zarejestrowane znaki towarowe Bluetooth SIG, Inc. i wszelkie ich użycie przez Armour Home Electronics Ltd. odbywa się na mocy udzielonej licencji. Znak aptX® oraz logo aptX to znaki towarowe CSR plc albo jednej z jej firm zależnych i mogą być one zarejestrowane w jednym lub większej liczbie krajów. Inne znaki towarowe i nazwy handlowe należą do odpowiednich właścicieli.

## Spis treści

|  |    |
|--|----|
| Informacje dotyczące bezpieczeństwa .....                            | 1  |
| Ważna informacja – przeczytaj uważnie .....                          | 1  |
| Odpowiednia utylizacja tego produktu .....                           | 1  |
| Serwis.....  | 2  |
| Ważna uwaga dla użytkowników w Wielkiej Brytanii .....               | 2  |
| Uwagi.....   | 2  |
| Oświadczenie FCC (dotyczy klientów ze Stanów Zjednoczonych) .....    | 2  |
| Deklaracja organizacji Industry Canada (dla klientów z Kanady) ..... | 3  |
| Wstęp.....   | 3  |
| Zawartość opakowania .....   | 4  |
| Krótki opis funkcji.....   | 4  |
| Połączenie za pomocą przewodu .....                                  | 4  |
| Połączenie bezprzewodowe.....  | 4  |
| Akustyka .....   | 5  |
| Baterie do pilota .....  | 5  |
| Legenda .....  | 6  |
| Złącza i elementy sterujące z tyłu głośnika .....                    | 6  |
| Elementy sterowania na głośniku .....                                | 6  |
| Pilot zdalnego sterowania .....                                      | 7  |
| Działanie .....  | 7  |
| Łączenie między głośnikami .....                                     | 7  |
| Rozmieszczenie i montaż głośników .....                              | 7  |
| Automatyczny tryb uśpienia .....                                     | 8  |
| Odtwarzanie audio przez Bluetooth .....                              | 8  |
| Czyszczenie listy parowania Bluetooth .....                          | 8  |
| Odtwarzanie dźwięku przy użyciu optycznego wejścia cyfrowego .....   | 9  |
| Odtwarzanie audio ze źródeł analogowych .....                        | 9  |
| Odtwarzanie audio za pomocą USB .....                                | 9  |
| Stany diod .....   | 9  |
| Specyfikacja.....  | 10 |
| Wydajność wzmacniacza .....  | 10 |
| Głośniki.....  | 10 |
| Zasilanie .....  | 10 |
| Bluetooth® .....   | 10 |
| Wymiary .....  | 10 |
| Waga .....   | 10 |
| Akcesoria .....  | 10 |
| Gwarancja .....  | 10 |
| Kontakt .....  | 10 |
| Siedziba główna.....   | 10 |
| Baza wiedzy .....  | 10 |
| Informacje serwisowe .....   | 10 |

## Informacje dotyczące bezpieczeństwa

### Ważna informacja – przeczytaj uważnie



Ten symbol wskazuje, że w dokumentacji dołączonej do tego zestawu zawarte są ważne instrukcje obsługi i konserwacji.



Ten symbol wskazuje, że w zestawie występuje niebezpieczne napięcie, stwarzające ryzyko porażenia prądem elektrycznym.



Ten produkt jest urządzeniem klasy II albo urządzeniem elektrycznym o podwójnej izolacji. Został zaprojektowany w taki sposób, że nie wymaga połączenia bezpieczeństwa z uziemieniem.

Przeczytaj i zachowaj te instrukcje.

Przestrzegaj wszystkich ostrzeżeń i instrukcji.

Nie używaj tego urządzenia w pobliżu wody.

Czyść wyłącznie suchą, miękką szmatką.

Nie zasłaniaj otworów wentylacyjnych.

Instaluj zgodnie z zaleceniami producenta.

Nie instaluj tego urządzenia w pobliżu źródeł ciepła, takich jak grzejniki, nawiewy ciepłego powietrza, kuchenki lub inne urządzenia (w tym wzmocniacze), które wytwarzają ciepło.

Zabezpiecz przewód zasilania sieciowego przed nadeptaniem lub zaciśnięciem, szczególnie przy wtyczce, gniazdku oraz w miejscu, w którym przewód wychodzi z urządzenia.

Używaj wyłącznie urządzeń dodatkowych / akcesoriów zalecanych przez producenta.

Używaj wyłącznie w połączeniu z wózkiem, statywem, trójnogiem, wspornikiem lub stolikiem określonym przez producenta albo dostarczonym z urządzeniem. W przypadku używania wózka zachowaj ostrożność podczas przemieszczania zestawu wózka / urządzenia, aby zapobiec jego przewróceniu.

Odcłóż ten zestaw podczas burzy oraz dłuższych okresów bezczynności.

Nie modyfikuj zabezpieczeń wtyczki dwubiegunowej lub wtyczki z uziemieniem. Wtyczka dwubiegunowa posiada dwa bolce, z których jeden jest szerszy. Wtyczka typu uziemionego posiada dwa bolce i trzeci bolec uziemienia. Szerszy bolec lub bolec uziemienia ma na celu zapewnienie bezpieczeństwa. Jeśli dostarczona wtyczka nie pasuje do gniazdka, skontaktuj się z elektrykiem w celu wymiany przestarzałego gniazdka.

Nie umieszczaj na tym produkcie źródeł otwartego ognia, takich jak świece.

Nie narażaj baterii (pakietu baterii lub baterii zainstalowanych) na nadmierną temperaturę, jak światło słoneczne, ogień itp.

Weź pod uwagę wszystkie ostrzeżenia umieszczone na urządzeniu i w żadnym wypadku nie rozbieraj zestawu ani nie zdejmuj pokryw, aby zapobiec ryzyku pożaru lub porażenia prądem elektrycznym.

Napięcie sieciowe tego zestawu podano na tabliczce znamionowej z tyłu zestawu. Przed podłączeniem do zasilania sprawdź, czy zasilanie jest takie samo, jak podane dla sieci.

Przeostrożenie: Zmiany lub modyfikacje bez wyraźnej zgody producenta mogą unieważnić prawo użytkownika do używania tego urządzenia.

Przeostrożenie: Wykorzystanie elementów sterujących lub regulacji bądź realizacja procedur innych, niż określono w niniejszym dokumencie, może prowadzić do narażenia na czynniki niebezpieczne.

Ostrzeżenie: Złącze wejściowe prądu przemiennego jest jednocześnie urządzeniem odcinającym. Po instalacji musi być ono łatwo dostępne.

Ostrzeżenie: Aby zmniejszyć ryzyko pożaru lub porażenia prądem elektrycznym, nie wystawiaj tego produktu na deszcz lub wilgoć. Produktu nie można narażać na kapanie ani rozpryski wody i nie można na nim ustawiać żadnych obiektów zawierających cieczę, na przykład wazonów z kwiatami.

Aby uniknąć niebezpieczeństwa uduszenia, trzymaj wszystkie torby polietylenowe i opakowania z dala od niemowląt i dzieci.

Strony trzecie: W mało prawdopodobnym przypadku przekazania tego produktu osobom trzecim należy do niego dołączyć tę instrukcję obsługi.

### Odpowiednia utylizacja tego produktu



Ten znak wskazuje, że tego produktu nie należy utylizować z innymi odpadami komunalnymi w UE. Aby zapobiec możliwej szkodzie dla środowiska lub zdrowia ludzkiego na skutek niekontrolowanego wyrzucania odpadów, produkt ten należy poddać w sposób odpowiedzialny recyklingowi w celu promowania ponownego wykorzystania zasobów materialnych. W celu zwrotu używanego urządzenia należy skorzystać z systemów zwrotu i zbiórki albo skontaktować się ze sklepem, w którym zakupiono produkt. Tego typu placówki mogą przyjąć ten produkt w celu jego recyklingu w sposób bezpieczny dla środowiska.

## Informacje dotyczące bezpieczeństwa

### Serwis

Wszystkie czynności serwisowe powierzaj wykwalifikowanemu personelowi serwisowemu.

Serwis jest konieczny w przypadku uszkodzenia zestawu w dowolny sposób, taki jak: uszkodzenie przewodu zasilania lub wtyczki, rozlanie cieczy lub upadek obiektu na zestaw, wystawienie zestawu na deszcz lub wilgoć, gdy zestaw nie działa prawidłowo albo zostanie upuszczony.

Urządzenie wymagające serwisu należy zwrócić do sprzedawcy albo do najbliższego punktu serwisowego.

### Ważna uwaga dla użytkowników w Wielkiej Brytanii

Przewód zasilania w wersji brytyjskiej jest zakończony zatwierdzoną brytyjską wtyczką zasilania z bezpiecznikiem 3 A. W przypadku konieczności wymiany bezpiecznika należy zastosować bezpiecznik 3 A z homologacją ASTA lub BSI BS1362.

## Uwagi

### Oświadczenie FCC (dotyczy klientów ze Stanów Zjednoczonych)

Niniejsze urządzenie jest zgodne z częścią 15 przepisów FCC. Eksploatacja urządzenia podlega następującym dwóm warunkom: (1) niniejsze urządzenie nie może powodować szkodliwych zakłóceń; oraz (2) niniejsze urządzenie musi dopuszczać wszelkie odbierane zakłócenia, w tym zakłócenia, które mogą powodować niepożądane działanie.

Urządzenie zostało przetestowane i spełnia wymagania klasy B urządzeń cyfrowych zgodnie z częścią 15 przepisów FCC. Przepisy te mają na celu świadomą ochronę przed niebezpiecznym oddziaływaniem przy instalacjach w mieszkaniach. Urządzenie wytwarza, wykorzystuje i może emitować energię o częstotliwości fali radiowych i w przypadku instalacji lub użytkowania niezgodnego z instrukcjami może powodować zakłócenia w łączności radiowej. Nie ma gwarancji, że zakłócenia takie nie wystąpią w określonych przypadkach. Jeżeli urządzenie wpływa niekorzystnie na odbiór radiowy lub telewizyjny, co można sprawdzić, wyłączając i włączając urządzenie, zaleca się skorygowanie zakłóceń przez użytkownika w jeden z następujących sposobów:

- Zmiana pozycji lub lokalizacji anteny odbiorczej
- Zwiększenie odległości między urządzeniami a odbiornikiem
- Podłączenie urządzenia do gniazda w innym obwodzie niż ten, do którego podłączony jest odbiornik
- Zastosowanie się do zaleceń otrzymanych od doświadczonego technika radiowego lub telewizyjnego

**PRZESTROGA!** Wszelkie zmiany lub modyfikacje urządzenia przez osoby niezatwierdzone wyraźnie przez producenta mogą unieważnić prawo użytkownika do korzystania z urządzenia.

Niniejsze urządzenie jest zgodne z limitami FCC dotyczącymi narażenia na promieniowanie, określonymi dla środowiska niekontrolowanego. Urządzenie należy zainstalować i obsługiwać z zachowaniem odstępów co najmniej 20 cm między radiatorem a ciałem.

### Deklaracja organizacji Industry Canada (dla klientów z Kanady)

CAN ICES-3 (B)/NMB-3(B)

Urządzenie spełnia limity wykluczenia z rutynowej oceny określone w części 2.5 normy RSS 102 i jest w pełni zgodne z normą RSS-102 RF. Użytkownicy mogą uzyskać informacje o narażeniu na promieniowanie o częstotliwości radiowej od organizacji Industry Canada.

Niniejsze urządzenie jest zgodne z wydanymi przez Industry Canada normami RSS, które nie są objęte licencją. Eksploatacja urządzenia podlega następującym dwóm warunkom:

1. Niniejsze urządzenie nie może powodować zakłóceń; oraz
2. Niniejsze urządzenie musi dopuszczać wszelkie odbierane zakłócenia, w tym zakłócenia, które mogą powodować niepożądane działanie urządzenia.

## Wstęp

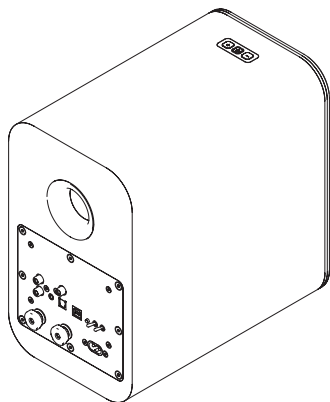
Dziękujemy za zakup bezprzewodowego systemu audio M20 HD firmy Q Acoustics.

Niniejsza instrukcja zawiera informacje dotyczące konfiguracji i instalacji mające na celu zapewnienie optymalnej wydajności działania produktu.

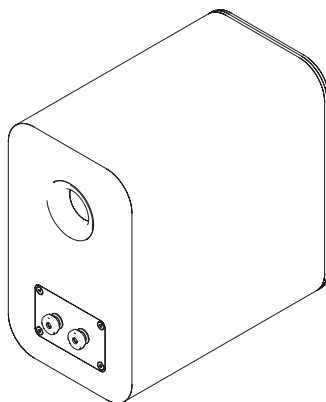
Przed instalacją i rozpoczęciem korzystania z produktu dokładnie zapoznaj się z instrukcjami, ważnymi informacjami dotyczącymi bezpieczeństwa oraz ostrzeżeniami w celu zapewnienia bezpiecznego i zadowolającego funkcjonowania produktu.

System Q M20 łączy wyjątkową jakość dźwięku stereo z dogodną łącznością i zintegrowanym wzmocnieniem.

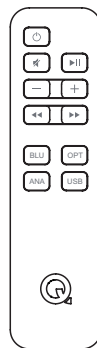
## Zawartość opakowania



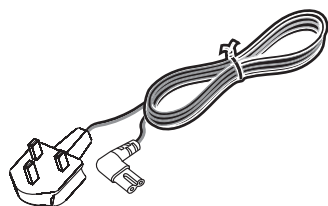
1 x głośnik ze wzmacniaczem dźwięku



1 x głośnik pasywny



1 x pilot zdalnego sterowania



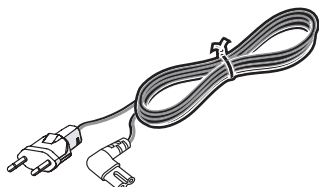
1 x przewód zasilający z brytyjską wtyczką\*



2 x tłumiki piankowe



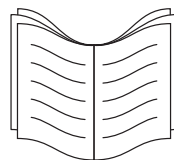
2 x baterie do pilota



1 x przewód zasilający z europejską wtyczką\*



1 x przewód do głośników 4 m



1 x instrukcja obsługi

\*Dostarczony przewód/przewody mogą się różnić zależnie od wersji rynkowej.

## Krótki opis funkcji

### Połączenie za pomocą przewodu

- Analogowe wejście audio — stereofoniczne gniazda phono lub wtyczka stereofoniczna typu jack 3,5 mm umożliwiają podłączenie do zewnętrznego analogowego źródła audio, takiego jak odtwarzacz CD.
- Optyczne wejście cyfrowe — umożliwia podłączenie do zewnętrznego cyfrowego źródła audio, takiego jak telewizor.
- Wyjście głośnika — stereofoniczne gniazda 4 mm, pozwalające na podłączenie głośnika ze wzmacniaczem dźwięku do głośnika pasywnego.
- USB — gniazdo USB typu B, umożliwiające połączenie z komputerem.
- Sub Out — wyjście phono subwoofera używane do podłączania zewnętrznego subwoofera.

### Połączenie bezprzewodowe

- Bluetooth® HD — międzynarodowy standard połączenia bezprzewodowego używany do strumieniowania audio ze wszystkich kompatybilnych urządzeń.
- AVRCP — protokół sterowania Bluetooth synchronizujący sterowanie głośnością i wyciszeniem urządzenia celem łatwej integracji z głośnikiem Q Acoustics.

### Akustyka

Przełącznik położenie lewe/prawe — umożliwia umieszczenie głośnika ze wzmacniaczem dźwięku z lewej lub prawej strony pary, zależnie od tego, która z nich jest bliższa gniazda sieciowego.

Przełącznik boundary control — kontrola użytkownika nad ustawieniami equalizera (EQ) zapewniająca optymalną akustykę. Ustawienia można zmieniać w zależności od położenia głośnika, mocowania lub preferencji użytkownika.

## Baterie do pilota

### Wkładanie lub wymiana baterii

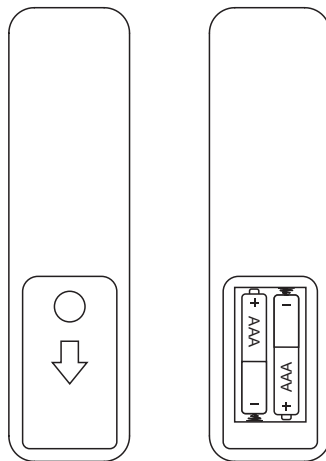
- Zsuń pokrywę baterii w pilocie w pokazanym kierunku.
- Zdejmij pokrywę z pilota.
- Wyjmij zużyte baterie (w razie potrzeby).
- Włóż nowe baterie, przestrzegając pokazanej biegunowości.

Podczas wymiany baterii wykorzystaj wyłącznie baterie AAA tego samego typu.

Zaleca się baterie alkaliczne. Inne typy baterii mogą wyciekać i powodować uszkodzenie.

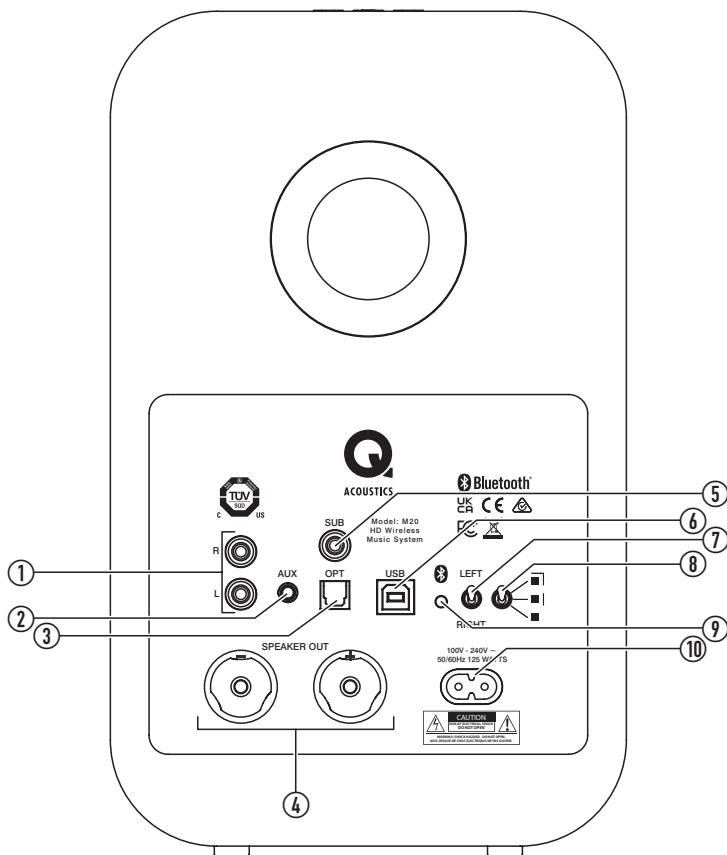
### Utylizacja baterii

Zutylizuj zużyte baterie zgodnie z przepisami dotyczącymi recyklingu obowiązującymi w Twoim rejonie. NIE dopuść do zwarcia baterii i NIE wrzucaj ich do wody, odpadów komunalnych ani do ognia.



## Legenda

### Złącza i elementy sterujące z tyłu głośnika



#### 1. Analogowe phono

Podłącz analogowe źródło dźwięku.

#### 2. Analogowa wtyczka typu jack 3,5 mm

Podłącz analogowe źródło dźwięku (dezaktywuje gniazda phono).

#### 3. Toslink optyczny

Podłącz cyfrowe optyczne źródło dźwięku.

#### 4. Wyjście głośnika

Podłącz głośnik pasywny.

#### 5. Sub

Podłącz opcjonalny subwoofer zewnętrzny.

#### 6. USB

Podłącz źródło dźwięku z komputera.

#### 7. Rozmieszczenie głośników

Wybierz pozycję lewą lub prawą w pomieszczeniu spośród pozycji odsłuchu.

#### 8. Przełącznik korektora

Reguluje poziom niskich tonów głośnika

#### 9. Bluetooth

Naciśnij, aby wejść w tryb parowania BT.

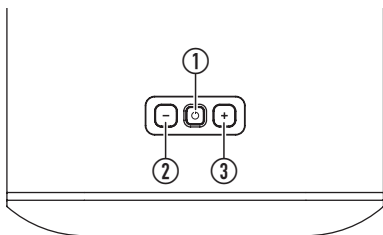
#### 10. Zasilanie prądem zmiennym

Podłącz do sieci zasilającej 100–240 V.



## Legenda

### Elementy sterowania na głośniku



#### 1. Tryb uśpienia / Źródło

Naciśnij, aby włączyć; naciśnij długo, aby wejść w tryb uśpienia.  
Naciśnij, aby zmienić źródło.

Naciśnij i przytrzymaj bardzo długo w trybie uśpienia, aby wejść w głęboki tryb uśpienia.

#### 2. —

Naciśnij, aby zmniejszyć głośność o jeden poziom.

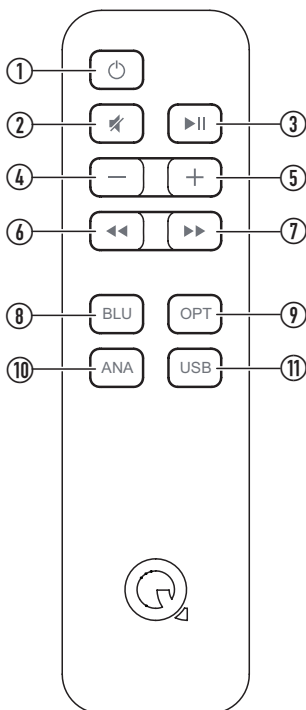
Naciśnij i przytrzymaj, aby zmniejszyć głośność w sposób ciągły.

#### 3. +

Naciśnij, aby zwiększyć głośność o jeden poziom.

Naciśnij i przytrzymaj, aby zwiększyć głośność w sposób ciągły.

### Pilot zdalnego sterowania



#### 1.

Przełącza system w tryb uśpienia, włącza się na wejście optyczne.

#### 2.

Wycisza / wyłącza wyciszenie głośników.

#### 3.

Zatrzymuje/odtwarza dźwięk wyłącznie na wejściu Bluetooth.

#### 4. —

Krótkotrwałe naciśnięcie zmniejsza głośność o jeden poziom.

Naciśnięcie i przytrzymanie zmniejsza głośność w sposób ciągły.

#### 5. +

Krótkotrwałe naciśnięcie zwiększa głośność o jeden poziom.

Naciśnięcie i przytrzymanie zwiększa głośność w sposób ciągły.

#### 6.

Pomija ścieżkę w tył jedynie na wejściu Bluetooth.

#### 7.

Pomija ścieżkę w przód jedynie na wejściu Bluetooth.

#### 8. BLU

Wybiera wejście Bluetooth, przełącza system w tryb parowania po długotrwałym naciśnięciu.

#### 9. OPT

Wybiera wejście optyczne.

#### 10. ANA

Wybiera wejście analogowe.

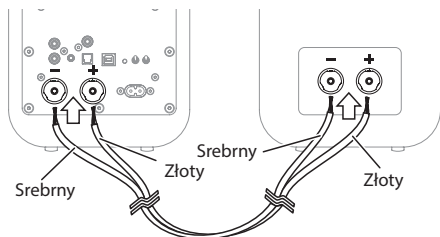
#### 11. USB

Wybiera wejście USB.

## Działanie

### Łączenie między głośnikami

Najpierw połącz głośniki dostarczonym kablem do głośników. Przewody mają różny kolor zależnie od biegunowości + i -. Zawsze użyj złotego przewodu dla + i srebrnego dla - na obu końcach.



### Rozmieszczenie i montaż głośników

Umieść głośniki po obu stronach głównej pozycji odsłuchowej na odpowiedniej płaskiej powierzchni, najlepiej w odległości od 2,0 m do 4,0 m (2–4 jardy) od siebie.

Możesz także użyć Q M20 ze statywem podłogowym Q 3000FSi lub wspornikiem ściennym Q 3000WB (dostępne oddzielnie). Przestrzegaj dołączonych do nich instrukcji.

- Głośnik ze wzmocnieniem można umieścić albo z lewej, albo z prawej strony, wystarczy prawidłowo ustawić przełącznik lewa/prawa.

### Regulacja przełącznika korektora

- Można wyregulować poziom niskich tonów głośników w celu dostosowania do wymaganego poziomu niskich tonów, który zależy od położenia głośników w stosunku do ścian, półek lub narożników. Należy posłuchać głośników M20 w każdym z trzech położen, wybierając jedno, które zapewnia najlepsze efekty.
  - Położenie to zapewni największe wyjście niskich tonów i jest korzystne, kiedy głośniki umieszczone są z dala od ścian lub narożników.
  - | Położenie to zapewni średnie wyjście niskich tonów i jest korzystne, kiedy głośniki umieszczone są w pobliżu ścian lub półek.
  - | Położenie to zapewni najmniejsze wyjście niskich tonów i jest korzystne, kiedy głośniki umieszczone są w narożnikach pomieszczenia.

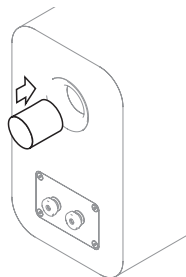
### Opcjonalny subwoofer

Subwoofer można opcjonalnie podłączyć do wyjścia SUB. Subwoofer powinien posiadać elementy do sterowania poziomem i zwrotnicą. Po podłączeniu subwoofera odtwórz muzykę zawierającą basy i dostosuj elementy do sterowania subwooferem do własnych preferencji dźwiękowych.

### Tłumienie wylotów

Głośniki serii Q M20 posiadają wyloty z tyłu i wymagają zapewnienia pewnej przestrzeni za nimi, to znaczy odległości około 200 mm od ściany. W przypadku umieszczenia głośników blisko ściany/narożnika włóż do tylnych wylotów tłumiki piankowe, aby zapobiec nadmiernej intensywności dźwięków niskotonowych.

- Upewnij się, że tłumiki są umieszczone w wylotach pewnie, ale niezbyt głęboko.


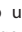



*Poziom dźwięków niskotonowych zostanie ograniczony, ale ich rozdzielczość i zakres ulegnie poprawie.*

*Wykonaj próby, zmieniając nieco ustawienie głośników, aby uzyskać optymalne rezultaty odpowiadające indywidualnym preferencjom.*

### Włączanie

- Podłącz przewód zasilający do głośnika ze wzmacniaczem dźwięku, a wtyczkę do gniazda sieciowego.

*Po podłączeniu do zasilania dioda trybu uśpienia będzie świecić na czerwono.*
- Aby włączyć system, naciśnij  na pilocie lub pulpicie sterowania.
- Aby przełączyć system w tryb uśpienia, naciśnij  na pilocie lub naciśnij długo  na pulpicie sterowania.

### Automatyczny tryb uśpienia

System Q M20 posiada funkcję automatycznego trybu uśpienia w celu oszczędzania energii. W przypadku braku odtwarzania muzyki przez dwadzieścia minut system automatycznie przejdzie w tryb uśpienia.

## Działanie

### Odtwarzanie audio przez Bluetooth

Przy pomocy systemu Q M20 można odtwarzać dźwięk z wielu urządzeń wyposażonych w technologię Bluetooth. Najpierw należy sparować urządzenie Bluetooth z koncentratorem, postępując według poniższych instrukcji.

1. Naciśnij i przytrzymaj przycisk wejścia Bluetooth na pilocie, aż zacznie migać niebieska dioda na głośniku. Możesz także nacisnąć przycisk Bluetooth z tyłu głośnika ze wzmacniaczem, aż zacznie migać niebieska dioda.
2. Wybierz ustawienia Bluetooth na urządzeniu i poszukaj Q M20 HD w urządzeniach.
3. Zaznacz urządzenie Q M20 HD na nowej liście urządzeń z technologią Bluetooth.

*Po podłączeniu dioda przestanie migać i będzie świecić na niebiesko światłem stałym.*

4. Teraz można odtwarzać audio ze swojego urządzenia.

Po sparowaniu urządzenia można po prostu następnym razem połączyć się z Q M20, który włączy i wybierze wejście Bluetooth.

Podczas odtwarzania dźwięku do zmiany głośności można użyć urządzenia, pilota lub przycisków na głośniku ze wzmacniaczem dźwięku. Można także użyć pilota do odtwarzania, zatrzymywania i pomijania ścieżek.

### Czyszczenie listy parowania Bluetooth


W razie potrzeby można usunąć wszystkie urządzenia z listy parowania Bluetooth w pamięci, wykonując poniższe czynności:

1. Długotrwałym naciśnięciem przycisku źródła BLUE na pilocie przełącz głośniki w tryb parowania Bluetooth, a dioda zacznie migać na niebiesko.
2. Ponownie naciśnij i przytrzymaj przycisk źródła BLU na pilocie, aż dioda zgaśnie, a później mignie trzy razy.

*Listę parowania Bluetooth usunięto z pamięci i konieczne jest ponowne parowanie urządzeń w celu połączenia.*


### Odtwarzanie dźwięku przy użyciu optycznego wejścia cyfrowego

Za pomocą przewodu optycznego TOSLINK podłącz swoje cyfrowe źródło dźwięku do głośnika Q M20 ze wzmacniaczem dźwięku.

- Naciśnij przycisk OPT na pilocie lub przycisk  na głośniku, aż zaświeci biała dioda.

Do zmiany głośności można użyć pilota lub przycisków na głośniku ze wzmacniaczem dźwięku.


### Odtwarzanie audio ze źródeł analogowych

- Użyj gniazd phono lub gniazda wtyczki stereofonicznej typu jack 3,5 mm do podłączenia analogowego źródła dźwięku. Naciśnij przycisk ANA na pilocie lub przycisk  na głośniku, aż zaświeci zielona dioda.

Do zmiany głośności można użyć pilota lub przycisków na głośniku ze wzmacniaczem dźwięku.

### Odtwarzanie audio za pomocą USB

Podłącz przewód USB typu A-B z komputera do głośnika Q M20 ze wzmacniaczem.

- Naciśnij przycisk USB na pilocie lub przycisk  na głośniku, aż zaświeci żółta dioda.

Następnie pobierz poprawny sterownik USB ze strony Q Acoustics tutaj:

[support.qacoustics.co.uk](http://support.qacoustics.co.uk)

Zapisz plik na komputerze, a następnie postępuj zgodnie z poniższymi instrukcjami dla systemu Windows 10.

1. Otwórz „Menedżera urządzenia”.
2. Zaznacz „USB2.0 High-Speed True HD Audio” w „Sterownikach dźwięku, wideo i gier”.
3. Zaznacz „Sterownik”, a następnie „Aktualizuj sterownik”.
4. Zaznacz „Wyszukaj sterowniki na moim komputerze”, a następnie przejdź do pobranego folderu i zaznacz.
5. System Windows zaktualizuje sterownik.
6. Po zakończeniu możesz zaznaczyć „SPDIF (USB2.0 High-Speed True HD Audio)” na liście głośników.
7. Otwórz aplikację do odtwarzania muzyki i ciesz się nią.

Do zmiany głośności można użyć pilota lub przycisków na głośniku ze wzmacniaczem dźwięku.

## Działanie

### Stany diod

|   |   |
|---|---|
| Czerwony  | System jest w trybie uśpienia   |
| Ciemnoczerwony  | System jest w głębokim trybie uśpienia  |
| Biały   | System odtwarza źródło optyczne   |
| Biały, migający   | Regulacja głośności   |
| Biały, dwukrotne mignięcie co 3 sekundy                     | Wejście optyczne otrzymuje dźwięk wielokanałowo lub dolby digital, którego nie można odtworzyć. |
| Niebieski   | System odtwarza źródło Bluetooth  |
| Niebieski, powolne pulsowanie                               | Nie podłączono urządzenia z technologią Bluetooth   |
| Niebieski migający  | Tryb parowania Bluetooth  |
| Niebieski, trzykrotne mignięcia                             | Wyczyszczono listę parowania Bluetooth  |
| Zielony   | System odtwarza źródło analogowe  |
| Żółty   | System odtwarza źródło USB  |
| Kolor źródła (biały, niebieski, zielony, żółty), pulsowanie | Wyciszony   |

## Specyfikacja

### Wydajność wzmacniacza

Moc (<1% THD) ..... 2 x 32 W//4 Ω  
THD (przy 20 W//4 Ω) ..... <0,2%  
Reakcja na częstotliwość (DSP bez korekcji).....  
20 Hz do 20 kHz ±0,5 dB

Stosunek sygnału do szumu (pomocn., odniesiony do A, maks. głośn., odn. 1 W)..... >-81 dB  
Czułość wejścia analogowego (dla 32 W)..... 395 mV  
Przeciążenie wejścia analogowego ..... 2,2 V  
Czułość wejścia mini jack (dla 32 W) ..... 220 mV  
Przeciążenie wejścia minijack ..... 1,2 V  
Sub out (100 Hz, przy 32 W kanały główne) ..... 380 mV  
Wejście optyczne..... Toslink  
Częstotliwość próbkowania wejścia optycznego.....  
24 bit / 192 kHz  
Częstotliwość próbkowania USB ..... 24 bit / 192 kHz

### Głośniki

Typ obudowy ..... 2-drożna reflex (z wylotami)  
Midrange driver ..... 125 mm (5,0 in)  
Tweeter ..... 22 mm (0,9 in)  
Częstotliwość zwrotnicy ..... 2,4 kHz  
Reakcja na częstotliwość (swobodna, -6 dB).....  
55 Hz - 22 kHz

### Zasilanie

Napięcie zasilania ..... 100V – 240 V, 50–60 Hz  
Maksymalne zużycie ..... 125 W  
Zużycie w trybie uśpienia..... <0,5 W

### Bluetooth®

Specyfikacja Bluetooth..... V5.0  
Lepsza jakość muzyki..... apt X, aptX HD®  
apt X o niskim opóźnieniu, SBC, AAC

### Wymiary

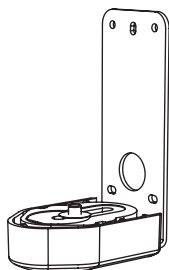
(szer. x wys. x gł.) ..... 170 mm x 279 mm x 296 mm  
6<sup>11</sup>/<sub>16</sub>" x 11" x 11<sup>5</sup>/<sub>8</sub>"

### Waga

Wzmacniacz dźwięku..... 5,5 kg  
12 lb 2 oz  
Głośnik pasywny ..... 5,1 kg  
11 lb 4 oz

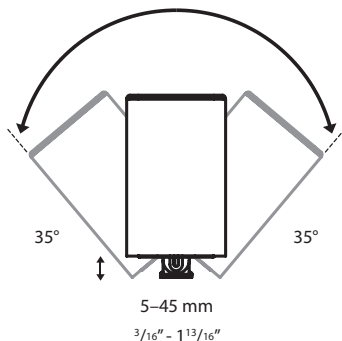
## Akcesoria

Wspornik ścienny Q 3000WB

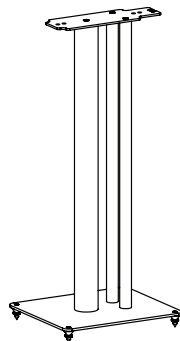


Wymiary (szer. x wys. x głęb.):  
70 x 159 x 99 mm  
 $2\frac{3}{4}'' \times 6\frac{9}{32}'' \times 3\frac{7}{8}''$

Kąt regulacji Q 3000WB



Statyw podłogowy Q 3000FSi



Wymiary (szer. x wys. x gł.):  
250 x 682 x 290 mm  
 $9\frac{7}{8}'' \times 29\frac{13}{16}'' \times 1\frac{17}{16}''$

## Gwarancja

System Q M20 jest objęty gwarancją braku wad materiałowych i wykonawczych w okresie 1 roku od daty zakupu. W okresie gwarancji firma Q Acoustics naprawi lub wymieni, wedle własnego uznania, wszelkie produkty uznane za wadliwe po ich sprawdzeniu przez firmę albo wyznaczonego przez nią dystrybutora lub przedstawiciela.

Nieprawidłowe użytkowanie oraz normalne zużycie eksploatacyjne nie są objęte gwarancją.

Produkty przeznaczone do naprawy należy przede wszystkim zwrócić do sprzedawcy. Jeśli jest to niemożliwe, należy skontaktować się z firmą Q Acoustics albo wyznaczonym przez nią dystrybutorem w danym regionie w celu ustalenia właściwej procedury gwarancyjnej. W miarę możliwości do zwrócenia produktu należy użyć oryginalnego opakowania, ponieważ uszkodzenia powstałe w trakcie transportu urządzenia do serwisu nie są objęte gwarancją. Niniejsza gwarancja w żaden sposób nie ogranicza praw użytkownika.

Istnieje możliwość przedłużenia gwarancji do 2 lat przez rejestrację produktu na stronie [www.qacoustics.co.uk/register](http://www.qacoustics.co.uk/register).

## Kontakt

### Siedziba główna

Q Acoustics  
Woodside 2  
Dunmow Road  
Bishops Stortford  
Hertfordshire, GB  
CM23 5RG

### Baza wiedzy

Aby uzyskać jakiegokolwiek dodatkowe informacje niezawarte w niniejszej instrukcji, odpowiedzi na pytania związane ze wsparciem i/lub wnioski, prosimy o odwiedzenie naszego Portalu wiedzy online pod adresem [support.qacoustics.co.uk](mailto:support.qacoustics.co.uk)

### Informacje serwisowe

[support@qacoustics.co.uk](mailto:support@qacoustics.co.uk)



# БЕСПРОВОДНАЯ АУДИОСИСТЕМА M20 СО ЗВУКОМ ВЫСОКОЙ ЧЕТКОСТИ

## РУКОВОДСТВО ПОЛЬЗОВАТЕЛЯ

### **ДЕКЛАРАЦИЯ О СООТВЕТСТВИИ ЕС**

Изделие M20 соответствует следующим директивам ЕЭС, их вспомогательным нормативным актам и соответствующим стандартам, где это применимо:

Директива Совета ЕС 2004/108/ЕС по электромагнитной совместимости

Применимые стандарты с поправками: EN 55032, EN 55035

Директива ЕС 2006/95/ЕЕС по низковольтному оборудованию

Применимый стандарт с поправками: EN 62368

Стандарты ЕС по беспроводной передаче данных: EN 300328, EN 301489, IEC 62321

Этап 1 приложения II к Регламенту Комиссии ЕС № 1275/2008



Словесный знак и логотипы Bluetooth являются зарегистрированными торговыми марками, принадлежащими компании Bluetooth SIG, Inc., и любое использование таких знаков компанией Armour Home Electronics Ltd. осуществляется согласно лицензии. Марка aptX® и логотип aptX являются торговыми марками корпорации CSR plc или одной из компаний ее группы и могут быть зарегистрированы в одной или нескольких странах или территориях. Другие товарные знаки и наименования принадлежат соответствующим владельцам.

## Содержание

|   |    |
|---|----|
| Информация по технике безопасности .....  | 1  |
| Важная информация — необходимо внимательно ознакомиться .....                   | 1  |
| Правильная утилизация этого продукта .....                                      | 2  |
| Техническое обслуживание.....   | 2  |
| Важное замечание для пользователей в Великобритании.....                        | 2  |
| Примечания .....  | 2  |
| Заявление FCC (для пользователей из США) .....                                  | 2  |
| Заявление Министерства промышленности Канады (для пользователей из Канады)..... | 4  |
| Введение .....  | 4  |
| Содержимое упаковки.....  | 4  |
| Обзор функций.....  | 5  |
| Проводное подключение .....   | 5  |
| Беспроводное подключение .....  | 5  |
| Акустические функции.....   | 6  |
| Батареи пульта дистанционного управления .....                                  | 6  |
| Обозначения .....   | 6  |
| Разъемы и элементы управления на задней панели колонки.....                     | 6  |
| Элементы управления на колонке .....  | 7  |
| Пульт дистанционного управления .....   | 7  |
| Эксплуатация.....   | 8  |
| Соединение между колонками .....  | 8  |
| Размещение и сборка системы .....   | 8  |
| Автоматический переход в режим ожидания.....                                    | 9  |
| Воспроизведение звука с помощью Bluetooth.....                                  | 9  |
| Очистка списка сопряженных устройств Bluetooth .....                            | 9  |
| Воспроизведение звука через оптический цифровой вход .....                      | 10 |
| Воспроизведение звука через аналоговый вход .....                               | 10 |
| Воспроизведение звука с устройства, подключенного через USB .....               | 10 |
| Состояния светодиодного индикатора .....  | 10 |
| Технические характеристики.....   | 10 |
| Характеристики усилителя .....  | 10 |
| Динамики .....  | 10 |
| Питание .....   | 10 |
| Bluetooth® .....  | 10 |
| Размеры .....   | 10 |
| Масса.....  | 10 |
| Принадлежности .....  | 10 |
| Гарантия.....   | 10 |
| Контактная информация .....   | 10 |
| Главный офис.....   | 10 |
| База знаний .....   | 10 |
| Информация о техническом обслуживании.....                                      | 10 |

# Информация по технике безопасности

## Важная информация — необходимо внимательно ознакомиться



Данный символ означает, что в информационных печатных материалах к этому оборудованию содержатся важные указания по эксплуатации и обслуживанию.



Этот символ указывает, что в этом изделии присутствует опасное напряжение, создающее риск поражения электрическим током.



Это оборудование представляет собой электроприбор класса II или электроприбор с двойной изоляцией. Оно спроектировано таким образом, что не требует защитного электрического заземления.

Необходимо прочесть и сохранить эти инструкции.

Важно обращать внимание на все предупреждения и следовать всем инструкциям.

Не использовать это оборудование вблизи воды.

Протирать только сухой мягкой тканью.

Не закрывать вентиляционные отверстия.

Оборудование необходимо устанавливать в соответствии с указаниями производителя.

Не устанавливать систему вблизи источников тепла, таких как батареи, регистры отопления, кухонные плиты или другое оборудование (в том числе усилители), излучающее тепло.

Не наступать на шнур питания и не допускать его заземления, особенно в области вилки, розетки и в точке выхода из устройства.

Необходимо использовать исключительно приспособления/дополнительное оборудование, рекомендованные производителем.

Оборудование необходимо использовать только с прилагающимися к нему или рекомендованными производителем тележкой, подставкой, штативом, кронштейном или столом. При использовании тележки для перемещения оборудования необходимо соблюдать осторожность, так как в случае ее опрокидывания можно получить травму.

Изделие необходимо отсоединять от сети во время грозы, или когда оно не используется в течение долгого времени.

Не нарушать безопасную конструкцию полярной вилки или вилки заземляющего типа. Поляризованная вилка имеет два ножевых контакта разной ширины. Вилка с заземлением имеет два ножевых контакта и заземляющий штырь. Широкий контакт или заземляющий штырь предназначены для обеспечения безопасности. Если вилка прилагаемого шнура питания не подходит к используемой розетке, следует обратиться к электрику для замены устаревшей розетки.

Не допускается размещать на изделии источники открытого пламени, например свечи.

Запрещается подвергать аккумуляторные батареи (в упаковке или в установленном виде) чрезмерному воздействию источников тепла, таких как прямые солнечные лучи, открытый огонь и др.

Необходимо принимать к сведению все предупреждения на устройстве, для предотвращения опасности возникновения пожара или поражения электрическим током ни при каких обстоятельствах запрещается разбирать изделие и снимать крышки.

Рабочее напряжение питания данного изделия указано на табличке электротехнического изделия, расположенной на задней панели. Перед подключением изделия к сети необходимо убедиться, что указанное напряжение совпадает с напряжением питающей сети.

Внимание! Изменения в оборудовании, которые не были прямо одобрены производителем, могут лишить пользователя права эксплуатировать данное оборудование.

Внимание! При использовании элементов управления, регулировок или выполнении процедур, отличных от описанных в данном документе, пользователь может подвергнуться опасным воздействиям.

Предупреждение! Разъем входа переменного тока используется как устройство безопасного отключения. Он должен быть легко доступен после установки.

Предупреждение! Во избежание воспламенения или удара электрическим током не подвергать оборудованию воздействию дождя или влаги. На продукт не должны попадать капли жидкости. Запрещается ставить на изделие предметы, наполненные жидкостью, такие как ваза с цветами.

Во избежание опасности удушья необходимо хранить все полиэтиленовые пакеты и упаковки в недоступном для младенцев и детей месте.

Касательно третьих лиц: к оборудованию в случае его передачи третьему лицу необходимо приложить данное руководство по эксплуатации.

### Правильная утилизация этого продукта



Эта маркировка означает, что на всей территории ЕС этот продукт не должен утилизироваться вместе с другими бытовыми отходами. Чтобы предотвратить возможный вред для окружающей среды или здоровья человека от неконтролируемой утилизации отходов, отнесите ответственно к переработке этого продукта, чтобы способствовать устойчивому повторному использованию материальных ресурсов. Для возврата устройства следует использовать системы возврата и сбора или обратиться в торговую организацию, где оно было приобретено. Там этот продукт может быть принят для экологически безопасной переработки.



## Информация по технике безопасности

### Техническое обслуживание

Все работы по техническому обслуживанию должны выполняться квалифицированным техническим персоналом.

Техническое обслуживание требуется в случае повреждения изделия любым способом, например, если был поврежден шнур питания или вилка, на изделие была пролита жидкость, или в него попали посторонние предметы, изделие подверглось воздействию дождя или влаги, не работает нормально или перенесло падение.

Оборудование, подлежащее техническому обслуживанию, должно быть возвращено дилеру-поставщику или сервисному агенту, действующему в регионе эксплуатации оборудования.

## Примечания

### Заявление FCC (для пользователей из США)

Это устройство соответствует части 15 правил FCC. Эксплуатация допускается при соблюдении следующих двух условий: (1) данное устройство не должно создавать вредные помехи, и (2) данное устройство должно выдерживать любые помехи, включая помехи, которые могут привести к сбоям в работе.

Оборудование проверено и признано соответствующим ограничениям для цифровых устройств класса B согласно части 15 правил FCC. Эти ограничения разработаны для обеспечения надлежащей защиты от вредного излучения при установке в жилых помещениях. Данное оборудование генерирует, использует и может излучать радиочастотные волны и, если оно установлено и используется не в соответствии с инструкцией по эксплуатации, может создавать помехи для радиосвязи. Однако нет гарантии, что помехи не будут возникать в тех или иных условиях установки. Если это оборудование создает вредные помехи для приема радио- или телесигнала (что можно определить, выключив и включив оборудование), рекомендуется попытаться устранить их одним или несколькими из следующих способов:

- переориентировать или переместить приемную антенну;
- увеличить расстояние между оборудованием и приемником;
- подключить оборудование к розетке в цепи, отличной от той, к которой подключен приемник;
- обратиться за помощью к дилеру или опытному специалисту по теле- и радиотехнике.

**ВНИМАНИЕ!** Любые изменения или модификации, которые внесены в это устройство, но не одобрены производителем явным образом, могут аннулировать права пользователя на эксплуатацию данного оборудования.

Данное оборудование соответствует пределам мощности радиочастотного излучения, установленным FCC для неконтролируемой среды. При установке и эксплуатации этого оборудования между излучателем радиоволн и телом пользователя должно быть обеспечено расстояние не менее 20 см.

### Важное замечание для пользователей в Великобритании

Сетевой шнур для Великобритании оснащен разрешенной в Великобритании сетевой вилкой с предохранителем с номиналом 3 А. Если необходимо заменить предохранитель, следует использовать одобренный Ассоциацией по испытаниям токами короткого замыкания (ASTA) или Британским институтом стандартов (BSI) предохранитель типа BS1362 с номиналом 3 А.

### Заявление Министерства промышленности Канады (для пользователей из Канады)

CAN ICES-3 (B)/NMB-3(B)

Устройство соответствует исключению из нормативов проверки на соответствие требованиям, изложенным в разделе 2.5 RSS 102, и полностью отвечает требованиям RSS-102 RF. Пользователи могут получить информацию о воздействии радиочастот и о соответствии от Министерства промышленности Канады.

Это устройство соответствует стандарту (стандартам) RSS Министерства промышленности Канады на оборудование, не требующее лицензии. Эксплуатация допускается при соблюдении следующих двух условий:

1. данное устройство не должно создавать вредные помехи;
2. данное устройство должно выдерживать любые помехи, включая помехи, которые могут привести к сбоям в работе.

## Введение

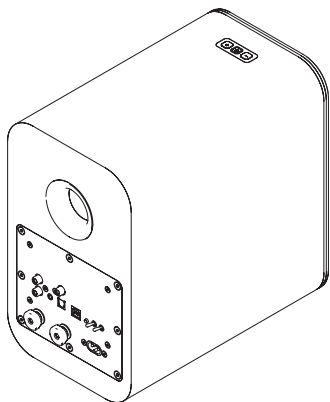
Благодарим за покупку беспроводной акустической системы Q Acoustics M20 HD.

Данное руководство предназначено для того, чтобы помочь вам осуществить установку и настройку акустической системы. Оно поможет обеспечить оптимальные рабочие характеристики продукта.

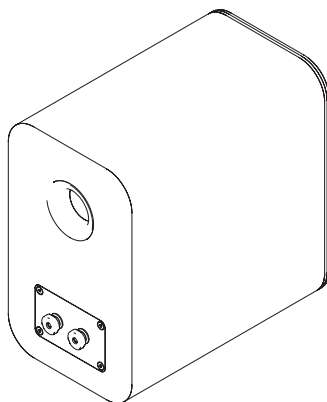
Чтобы обеспечить безопасную и удовлетворительную работу системы, перед установкой и эксплуатацией необходимо внимательно прочитать это руководство, важную информацию о технике безопасности и предупреждения.

Система Q M20 обеспечивает безупречное качество стереозвука, поддерживает удобные возможности подключения и оснащена встроенным усилителем.

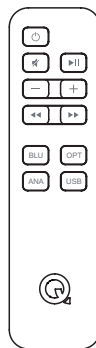
## Содержимое упаковки



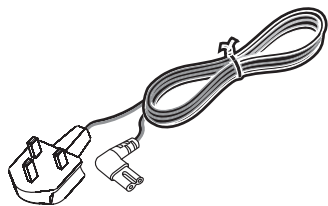
Колонка со встроенным усилителем — 1 шт.



Пассивная колонка — 1 шт.



Пульт дистанционного управления — 1 шт.



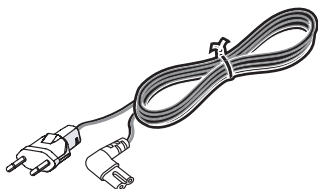
Сетевой кабель (Великобритания)\* — 1 шт.



Пенопластовая пробка — 2 шт.



Аккумуляторные батареи для пульт дистанционного управления — 2 шт.

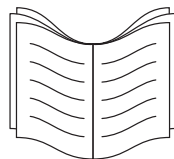


Сетевой кабель (ЕС)\* — 1 шт.

\*Вид сетевого кабеля зависит от версии системы для конкретного рынка.



Акустический кабель, 4 м — 1 шт.



Руководство пользователя — 1 шт.

## Обзор функций

### Проводное подключение

- Аналоговый аудиовход. Стереofонические разъемы или стереогнездо 3,5 мм позволяют подключать систему к внешнему аналоговому источнику звука, например, к проигрывателю компакт-дисков.
- Оптический цифровой вход позволяет подключать систему ко внешнему цифровому источнику звука, например, к телевизору.
- Выход на динамик. Стереоразъемы 4 мм позволяют подключать колонку с усилителем к пассивной колонке.
- USB — разъем USB типа B, позволяющий подключать систему к компьютеру.
- Sub Out — низкочастотный выход сабвуфера для подключения к внешнему сабвуферу.

### Беспроводное подключение

- Bluetooth® HD — международная спецификация беспроводного соединения, используемая для потоковой передачи звука со всех совместимых устройств.
- AVRCP — протокол управления Bluetooth, который синхронизирует управление громкостью и отключением звука устройства для простой интеграции колонки Q Acoustics.

### Акустические функции

Позиционный переключатель «лево-право» — позволяет устанавливать колонку с усилителем в качестве левой или правой колонки пары в зависимости от того, которая из них располагается ближе к сетевой розетке.

Переключатель граничного положения — пользовательское управление настройками эквалайзера для достижения оптимальных акустических рабочих характеристик. Настройки можно менять в зависимости от положения колонки, ее крепления или пожеланий пользователя.

## Батареи пульта дистанционного управления

### Установка и замена батарей

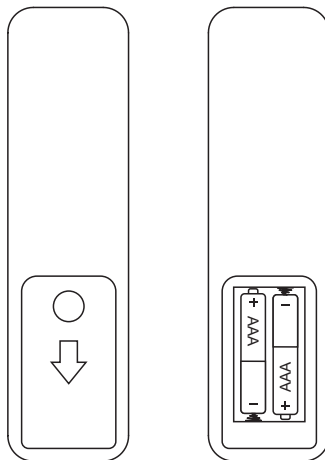
- Сдвинуть крышку батарейного отсека пульта ДУ в указанном направлении.
- Снять крышку с пульта ДУ.
- Извлечь старые батареи (если требуется).
- Установить новые батареи, соблюдая полярность, как показано на рисунке.

При замене батарей использовать только батареи типа AAA.

Рекомендуется использовать щелочные батареи. Батареи других видов могут протекать и наносить ущерб устройству.

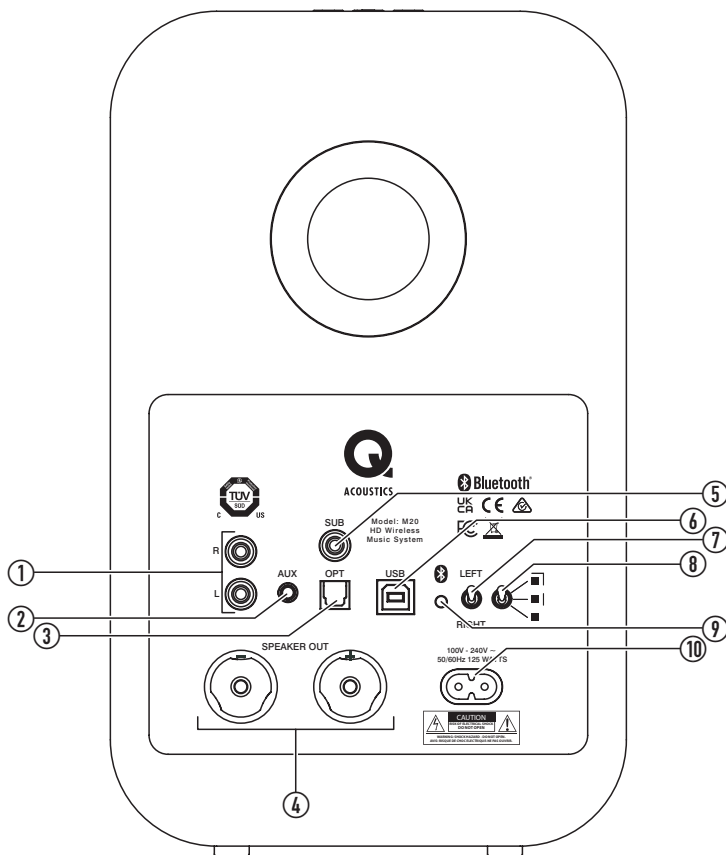
### Утилизация батарей

Использованные батареи должны утилизироваться в соответствии с правилами переработки, действующими в регионе использования продукта. НЕ допускать короткого замыкания батарей, НЕ бросать их в воду или в огонь, НЕ выбрасывать их с бытовыми отходами.



## Обозначения

### Разъемы и элементы управления на задней панели колонки



**1. Аналоговый стереофонический разъем**

*Подключение к аналоговому источнику звука.*

**2. Аналоговое гнездо 3,5 мм**

*Подключение аналогового источника звука (стереофонические разъемы при этом отключаются).*

**3. Оптический выход**

*Подключение цифровых оптических источников звука.*

**4. Выход на динамик**

*Подключение пассивной колонки.*

**5. Sub**

*Подключение дополнительного внешнего сабвуфера.*

**6. USB**

*Подключение компьютера как источника звука.*

**7. Положение колонки**

*Выбор расположения в помещении слева или справа относительно положения прослушивания.*

**8. Переключатель эквалайзера**

*Обеспечивает настройку воспроизведения колонками низких частот*

**9. Bluetooth**

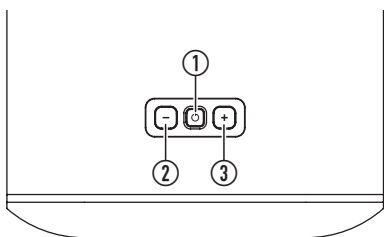
*Перевод системы в режим установления связи между устройствами Bluetooth.*

**10. Питание переменного тока**

*Подключение питания от сети 100–240 В.*

## Обозначения

### Элементы управления на колонке



#### 1. Режим ожидания/выбор источника

Для включения нажать. Нажать и удерживать для перехода в режим ожидания

Нажимать для выбора источника

Нажать и долго удерживать, когда устройство находится в режиме ожидания, для перевода его в глубокий режим ожидания.

#### 2. —

Нажать, чтобы уменьшить громкость на один шаг.

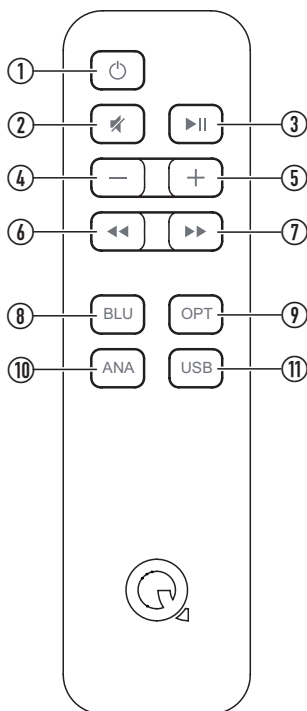
Нажать и удерживать, чтобы уменьшить громкость на несколько шагов.

#### 3. +

Нажать, чтобы увеличить громкость на один шаг.

Нажать и удерживать, чтобы увеличить громкость на несколько шагов.

### Пульт дистанционного управления



#### 1.

Перевод системы в режим ожидания, включение оптического входа.

#### 2.

Отключение/включение звука колонок.

#### 3.

Пауза/воспроизведение звука только через интерфейс Bluetooth.

#### 4. —

Краткое нажатие позволяет уменьшить громкость на один шаг.

Длительное нажатие позволяет уменьшить звук на несколько шагов.

#### 5. +

Краткое нажатие позволяет увеличить громкость на один шаг.

Длительное нажатие позволяет увеличить громкость на несколько шагов.

#### 6.

Возврат к предыдущему треку (только для интерфейса Bluetooth).

#### 7.

Переход к следующему треку (только для интерфейса Bluetooth).

#### 8. BLU

Выбор интерфейса Bluetooth, длительное нажатие переводит систему в режим установления связи между устройствами Bluetooth.

#### 9. OPT

Выбор оптического входа.

#### 10. ANA

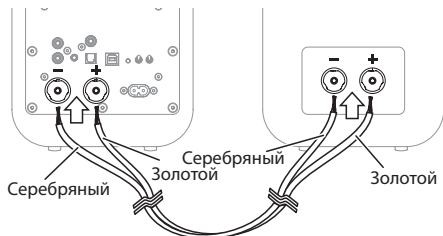
Выбор аналогового входа.

#### 11. USB

Выбор входа USB.

### Соединение между колонками

Сначала необходимо соединить колонки с помощью акустического кабеля (входит в комплект поставки). Провода имеют разный цвет для обозначения полярности («+» и «-»). Необходимо всегда использовать золотой провод для «+» и серебряный провод для «-» на обеих сторонах соединения.



### Размещение и сборка системы

Достаточно просто поставить колонки по обе стороны от основного положения прослушивания на подходящую ровную поверхность, оптимально — на расстоянии 2–4 м (2–4 ярда) друг от друга.

Также Q M20 можно разместить на напольной стойке Q 3000FSi или на стене с помощью кронштейна Q 3000WB (приобретается отдельно), следуя инструкциям, предоставляемым с этими аксессуарами.

- Подключенная к усилителю колонка располагается справа или слева. Выбор расположения осуществляется переключателями «левый» и «правый».

### Управление переключателем эквалайзера

- Характеристики воспроизведения колонками низких частот можно подстроить под поверхность, вблизи которой располагается колонка. Виды поверхности: стена, полка, угол. Прислушайтесь к звучанию колонки в каждом из трех положений и выберите наиболее удовлетворительное.

■ В этом положении обеспечивается наиболее полное воспроизведение низких частот. Подходит для случаев, когда колонка располагается вдали от стен и углов.

■ В этом положении обеспечивается умеренное воспроизведение низких частот. Подходит для случаев, когда колонка располагается вблизи стены или на полке.

■ В этом положении низкие частоты приглушены. Подходит для случаев, когда колонка располагается в углу комнаты.

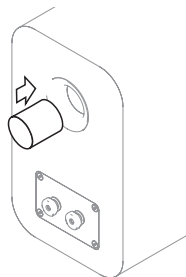
### Дополнительный сабвуфер

Сабвуфер можно подключить через гнездо SUB. Он должен быть оснащен элементами управления уровне и кроссовером. Подключение сабвуфера позволяет слушать музыку с качественным воспроизведением нижних частот. Управляя настройками сабвуфера, можно добиться предпочтительного звучания.

### Демпфирование портов

Колонки Q M20 оснащены задними портами и лучше всего работают в условиях, когда за ними имеется некоторое пространство, то есть около 20 см до стены. Если колонки располагаются близко к стене или в углу, необходимо вставить в задние порты пенопластовые пробки, иначе может создаваться слишком высокий уровень нижних частот.

- Следует удостовериться, что пробки плотно сидят в отверстиях и не вставлены слишком глубоко.




*В результате уровень нижних частот понизится, но при этом повысится четкость и нижняя граничная частота.*



*Можно поэкспериментировать и добиться желаемого звучания. Для достижения оптимального конечного результата можно попробовать немного изменить расположение колонок.*

### Включение питания

- Подключить кабель питания к колонке с усилителем и к сетевой розетке.

*После подключения питания светодиод режима ожидания будет гореть красным.*

- Для включения системы нажать  на пульте дистанционного управления или удерживать на панели управления.

- Для включения системы нажать  на пульте дистанционного управления или удерживать  на панели управления.

### Автоматический переход в режим ожидания

В системе Q M20 предусмотрена функция автоматического перехода в режим ожидания с целью экономии электроэнергии. Если музыка не воспроизводится в течение 20 минут, система автоматически переходит в режим ожидания.

### Воспроизведение звука с помощью Bluetooth

Для воспроизведения звука через систему Q M20 можно использовать несколько устройств Bluetooth. Сначала необходимо установить сопряжение устройства Bluetooth с колонкой согласно изложенным ниже инструкциям.

1. Нажать и удерживать кнопку интерфейса Bluetooth на пульте дистанционного управления, пока на колонке не замигает синий светодиод. Или нажать кнопку Bluetooth на задней панели колонки с усилителем, и светодиод замигает синим.
2. Открыть настройки Bluetooth на устройстве и найти систему Q M20 HD в списке обнаруженных устройств.
3. Выбрать устройство Q M20 HD в списке новых устройств Bluetooth.  
*Когда устройство подключится, светодиод перестанет мигать, но продолжит светиться синим.*
4. Теперь с этого устройства возможно воспроизводить звук.

После сопряжения устройства при следующем включении Q M20 система автоматически выберет интерфейс Bluetooth.

При воспроизведении звука его громкость можно регулировать с подключенного устройства, пульта дистанционного управления или кнопками на колонке с усилителем. Пульт дистанционного управления также позволяет воспроизводить, ставить на паузу и пропускать дорожки.


### Очистка списка сопряженных устройств Bluetooth

При необходимости из списка сопряженных устройств Bluetooth можно удалить все устройства, выполнив следующие действия:

1. Нажать и удерживать кнопку BLU, чтобы включить режим установления связи между устройствами Bluetooth. Светодиод начнет мигать синим.
2. Снова нажать и удерживать кнопку BLU на пульте дистанционного управления, пока светодиод не погаснет и затем не мигнет три раза.  
*Теперь список сопряженных устройств Bluetooth очищен. Для подключения устройств необходимо снова выполнить их сопряжение.*

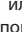
### Воспроизведение звука через оптический цифровой вход

Для подключения цифровых источников звука к колонке Q M20 с усилителем необходимо использовать стандартный оптический кабель TOSLINK.

- Нажать кнопку OPT на пульте дистанционного управления или нажать и удерживать кнопку  на колонке, пока светодиод не загорится белым.

Громкость звука можно регулировать с помощью пульта дистанционного управления или кнопок на колонке с усилителем.


### Воспроизведение звука через аналоговый вход

- Для подключения аналоговых источников звука необходимо использовать стереофонические разъемы или стереогнездо 3,5 мм. Нажать кнопку ANA на пульте дистанционного управления или нажать и удерживать кнопку  на колонке, пока светодиод не загорится зеленым.

Громкость звука можно регулировать с помощью пульта дистанционного управления или кнопок на колонке с усилителем.

### Воспроизведение звука с устройства, подключенного через USB

С помощью кабеля USB типа A-B подключить компьютер к колонке Q M20 с усилителем.

- Нажать кнопку USB на пульте дистанционного управления или нажать и удерживать кнопку  на колонке, пока светодиод не загорится желтым.

Затем загрузить подходящий USB-драйвер с сайта Q Acoustics:  
[support.qacoustics.co.uk](http://support.qacoustics.co.uk)

Необходимо сохранить этот файл на компьютере и следовать инструкции по установке для Windows 10.

1. Открыть Диспетчер устройств.
2. В разделе «Звуковые, игровые и видеодисстройства» выбрать устройство «USB 2.0 High-Speed True HD Audio».
3. Выбрать вкладку «Драйвер» и нажать «Обновить драйвер».
4. Выбрать вариант «Выполнить поиск драйверов на этом компьютере» и выбрать загруженный драйвер.
5. Windows выполнит обновление драйвера.
6. Когда обновление завершится, в списке аудиоустройств можно будет выбрать устройство «SPDIF (USB2.0 High-Speed True HD Audio)».
7. Далее можно открыть приложение для воспроизведения музыки и наслаждаться.

Громкость звука можно регулировать с помощью пульта дистанционного управления или кнопок на колонке с усилителем.

## Эксплуатация оборудования

### Состояния светодиодного индикатора

|  |  |
|--|--|
| Красный  | Система в режиме ожидания  |
| Темно-красный  | Система в глубоком режиме ожидания   |
| Белый  | Система воспроизводит звук из источника, подключенного по оптическому интерфейсу   |
| Белый (мигающий)   | Регулировка громкости  |
| Белый, мигает дважды каждые три секунды                        | На оптический вход поступает многоканальный или цифровой звук в формате Dolby Digital, который не может быть воспроизведен |
| Синий  | Система воспроизводит звук из источника, подключенного через Bluetooth   |
| Синий, медленное мигание                                       | Bluetooth-устройство не подключено   |
| Синий мигающий   | Режим сопряжения устройств Bluetooth   |
| Синий, три вспышки   | Список сопряженных устройств Bluetooth был очищен  |
| Зеленый  | Система воспроизводит звук из источника, подключенного через аналоговый интерфейс  |
| Желтый   | Система воспроизводит звук из источника, подключенного через USB   |
| Цвет порта-источника (белый, синий, зеленый, желтый), мигающий | Звук отключен  |

## Технические характеристики

### Характеристики усилителя

Выходная мощность (КНИ < 1 %) ..... 2 × 32 Вт/4 Ом  
 КНИ (при 20 Вт/4 Ом) ..... < 0,2 %  
 Частотная характеристика (цифровая обработка сигнала без эквалайзеров) ..... 20 Гц – 20 кГц ±0,5 дБ  
 Соотношение «сигнал-шум» (гнездо Aux, А-взвеш., макс. громкость, 1 Вт) ..... > -81 дБ  
 Чувствительность аналогового входа (32 Вт) ..... 395 мВ  
 Перегрузка аналогового входа ..... 2,2 Вт  
 Чувствительность входа 3,5 мм (32 Вт) ..... 220 мВ  
 Перегрузка входа 3,5 мм ..... 1,2 В  
 Выход Sub (100 Гц, на главных каналах 32 Вт) ..... 380 мВ  
 Оптический вход ..... Toslink  
 Частота дискретизации оптического входа .....  
 24 бит/192 кГц  
 Частота дискретизации USB-входа ..... 24 бит/192 кГц

### Динамики

Тип корпуса .....  
 2-канальный с фазоинвертором (оснащен портами)  
 Среднечастотный динамик ..... 125 мм (5 дюймов)  
 Высокочастотный динамик ..... 22 мм (0,9 дюйма)  
 Частота кроссовера ..... 2,4 кГц  
 Частотн. откл. (своб., -6 дБ) ..... 55 Гц – 22 кГц

### Питание

Напряжение питания ..... 100–240 В, 50–60 Гц  
 Максимальное потребление ..... 125 Вт  
 Потребление в режиме ожидания ..... < 0,5 Вт

### Bluetooth®

Спецификация Bluetooth ..... V5.0  
 Улучшение качества звука ..... кодеки aptX, aptX HD®  
 aptX Low Latency, SBC, AAC

### Размеры

(Ш × В × Г) ..... 170 × 279 × 296 мм  
 6<sup>11</sup>/<sub>16</sub>" × 11" × 11<sup>5</sup>/<sub>8</sub>"

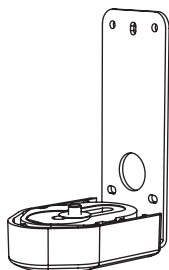
### Масса

Колонка с усилителем ..... 5,5 кг  
 12 фунтов 2 унции  
 Пассивная колонка ..... 5,1 кг  
 11 фунтов 4 унции



## Принадлежности

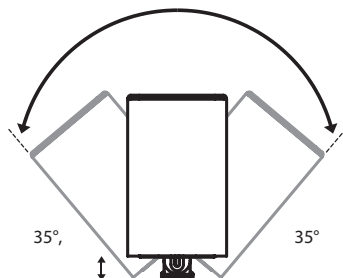
Настенный кронштейн Q 3000WB



Размеры (Ш × В × Г): 70 × 159 × 99 мм

$2\frac{3}{4}'' \times 6\frac{9}{32}'' \times 3\frac{7}{8}''$

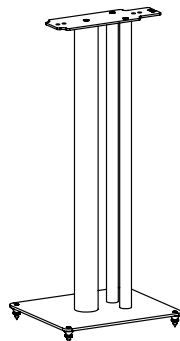
Угол поворота Q 3000WB



5–45 мм

$\frac{3}{16}'' - 1\frac{13}{16}''$

Напольная стойка Q 3000F5i



Размеры (Ш × В × Г):

250 × 682 × 290 мм

$9\frac{7}{8}'' \times 29\frac{13}{16}'' \times 1\frac{17}{16}''$

## Гарантия

На системы Q M20 предоставляется гарантия отсутствия дефектов качества материалов и изготовления сроком на 1 год с даты приобретения. В течение гарантийного срока компания Q Acoustics обязуется произвести ремонт изделия или заменить его, если после проведения проверки она или ее назначенный дистрибьютор или уполномоченный представитель обнаружат дефект в предоставленном на проверку изделии.

Гарантия не распространяется на случаи неправильного использования и естественного износа.

Товары для ремонта в первую очередь должны быть возвращены поставившему их дилеру. Если это невозможно, свяжитесь с Q Acoustics или назначенным компанией региональным дистрибьютором, чтобы определить надлежащую гарантийную процедуру. По возможности для возврата изделия следует использовать оригинальную упаковку, так как гарантия не распространяется на ущерб, причиненный во время транспортировки в центр ремонта. Эта гарантия никоим образом не ущемляет законные права потребителя.

Срок действия гарантии можно продлить до 2 лет, зарегистрировав изделие на сайте

[www.qacoustics.co.uk/register](http://www.qacoustics.co.uk/register).

## Контактная информация

### Главный офис

Q Acoustics

Woodside 2

Dunmow Road

Bishops Stortford

Hertfordshire, Великобритания

CM23 5RG

### База знаний

Чтобы получить дополнительную информацию, сведения о поддержке и/или оставить заявку, следует посетить онлайн-портал базы знаний:

[support.qacoustics.co.uk](http://support.qacoustics.co.uk)

### Информация о техническом обслуживании

[support@qacoustics.co.uk](mailto:support@qacoustics.co.uk)



## M20 HD 无线系统 用户手册



Bluetooth 文字商标和徽标是 Bluetooth SIG, Inc. 所有的注册商标, Armour Home Electronics Ltd. 所使用的任何这些标志均已获得授权。aptX® 标志和 aptX 徽标是 CSR plc 或其集团公司之一的商标, 并且可能已在一个或多个管辖区内注册。其他商标和商标名为其各自所有者所有。

|                        |    |
|------------------------|----|
| 安全信息.....              | 1  |
| 重要信息 - 请仔细阅读.....      | 1  |
| 本产品的正确处置.....          | 1  |
| 维修.....                | 2  |
| 面向英国用户的重要通知.....       | 2  |
| 注意.....                | 2  |
| FCC 声明（面向美国客户）.....    | 2  |
| 加拿大工业部声明（针对加拿大客户）..... | 2  |
| 简介.....                | 3  |
| 包装内容.....              | 3  |
| 功能摘要.....              | 4  |
| 有线连接.....              | 4  |
| 无线连接.....              | 4  |
| 音质.....                | 4  |
| 遥控器电池.....             | 4  |
| 按键.....                | 5  |
| 扬声器后部连接和控制.....        | 5  |
| 扬声器控制.....             | 6  |
| 遥控器.....               | 6  |
| 操作.....                | 7  |
| 连接扬声器.....             | 7  |
| 扬声器位置和组装.....          | 7  |
| 自动待机.....              | 7  |
| 使用蓝牙播放音频.....          | 8  |
| 清除蓝牙配对列表.....          | 8  |
| 使用光纤数字输入播放音频.....      | 8  |
| 使用模拟输入播放音频.....        | 8  |
| 使用 USB 输入播放音频.....     | 8  |
| LED 状态.....            | 9  |
| 规格.....                | 9  |
| 放大器性能.....             | 9  |
| 扬声器.....               | 9  |
| 电源.....                | 9  |
| Bluetooth®.....        | 9  |
| 尺寸.....                | 9  |
| 重量.....                | 9  |
| 配件.....                | 10 |
| 保修.....                | 10 |
| 联系信息.....              | 10 |
| 总公司.....               | 10 |
| 知识库.....               | 10 |
| 服务信息.....              | 10 |

## 安全信息

### 重要信息 - 请仔细阅读



此符号表示在本装置随附的印刷资料中有重要的操作和维护说明。



此符号表示本装置中存在会导致触电风险的电压。



该设备是一种 II 类或双重绝缘的电气设备。其设计方式不需要电气接地的安全连接。

阅读并保管好这些说明。

注意所有的警告并遵循所有说明。

请勿在靠近水的地方使用本设备。

只能使用柔软的干抹布进行清洁。

请勿堵塞任何通风孔。

按照制造商的说明进行安装。

请不要安装在散热器、热调节装置、炉灶或其他发热装置（包括放大器）等任何热源附近。

请保护好电源线，防止其被踩踏或挤压，尤其是插头和方便插座，以及从本装置中伸出的部分。

只能使用制造商指定的附件/配件。

请使用制造商指定的或随装置出售的转运车、支架、三脚架、托架或工作台。使用转运车、移动组合转运车/装置时，请务必当心，防止倾翻伤人。

在雷雨天气或长时间不使用本装置时，请拔下插头。

请勿让极性或接地型插头的安全功能失效。极性插头有两个扁平插脚，一个较宽，另一个较窄。接地型插头有两个插片和一个接地叉。较宽的插脚或第三插脚具有安全保护作用。如果本装置随附插头无法插入插座，则应联系电工更换旧插座。

不得将明火源（如蜡烛）放在本产品上。

电池（电池组或安装的电池）不得暴露在日光、火等过热环境中。

请注意装置上的所有警告，在任何情况下均不得拆卸装置或者取下护盖，以免出现火灾或电击风险。

本装置的主电源工作电压标在本装置背面的铭牌上。在连接主电源之前，请检查该电压是否与您的主电源电压相同。

**小心：**未经制造商明确批准而对本设备进行擅自变更或改动会导致用户丧失操作本设备的权利。

**小心：**使用此处未指定的控制、调整或执行某些流程可能会导致发生危险。

**警告：**交流输入连接器可用作安全断开设备。在安装后，它必须能够轻松拔插。

**警告：**为了降低火灾或触电的风险，请勿将本产品暴露在雨水或湿气下。切勿让水溅或滴到产品上，不得将任何带有液体的物品（例如花瓶）放在本产品上。

为了避免窒息的危险，请将所有塑料袋和包装放在婴儿及儿童接触不到的地方。

**第三方：**万一您要将本产品转让给第三方，请在产品中附带上述操作说明。

### 本产品的正确处置



该标志表示在欧盟不应将本产品与其他家庭废物一起处置。为了防止不受控制的废物处置对环境或人体健康可能产生的危害，请妥善回收本产品以促进材料资源的可持续重复利用。要回收用过的设备，请使用回收和收集系统，或者与当初出售产品的零售商联系。他们可以让本产品得到环保安全的回收。

## 安全信息

### 维修

要进行任何维修，请咨询合格的服务人员。

本装置受到任何形式的损坏都必须进行维修，例如电源线或插头被损坏，液体溢出或物体掉入装置，装置暴露在雨中或受潮，无法正常运行，跌落等。

要维修的设备应送返当地的经销商或维修机构。

## 注意

### FCC 声明（面向美国客户）

本设备符合 FCC 规则第 15 部分中的要求。其运行必须满足以下两个条件：(1) 该设备不得造成有害干扰，以及 (2) 此设备必须能够承受所接收到的任何干扰，包括可能造成意外运行的干扰。

本设备经测试证明其符合 FCC 规则第 15 部分中关于 B 类数字设备的限制要求。这些限制要求的目的是针对住宅安装环境中的有害干扰提供合理的保护。本设备会产生、利用并且能够辐射射频能量，如果未按照说明手册进行安装和使用，将可能会对无线电通信造成有害干扰。但是，不能保证在特定安装实例中不会发生干扰。如果此设备确实对无线电信号或电视信号的接收造成有害干扰（可以通过打开和关闭设备来确定），则建议用户尝试通过以下的一种或多种措施来消除这种干扰：

- 重新调整朝向或重新摆放接收天线。
- 增加本设备和信号接收设备之间的距离。
- 将本设备与接收设备分别连接到不同电路中的插座。
- 咨询经销商或有经验的无线电/电视技术人员寻求协助。

当心！未经制造商明确批准而擅自对本设备进行的任何更改或修改均可能使用户丧失操作使用该设备的权限。

本设备满足 FCC 规定的不受控环境辐射暴露限制。此设备的安装和操作使用必须确保发射器和人体之间至少有 20cm 距离。

### 面向英国用户的重要通知

英国电源线的末端采用了英国批准使用的电源插头，配备有 3A 保险丝。如果需要更换保险丝，则必须使用 ASTA 或 BSI 批准的 BS1362 3A 额定电流保险丝。

### 加拿大工业部声明（针对加拿大客户）

#### CAN ICES-3(B)/NMB-3(B)

本设备符合 RSS 102 第 2.5 节中规定的常规评估限制要求，且完全符合 RSS-102 RF 的要求。用户可从加拿大工业部获取有关射频暴露和合规性方面的信息。

此设备符合加拿大工业部的许可证豁免 RSS 标准要求。其运行必须满足以下两个条件：

1. 此设备不得造成有害干扰，以及
2. 此设备必须能够承受所接收到的任何干扰，包括可能造成意外运行的干扰。

## 简介

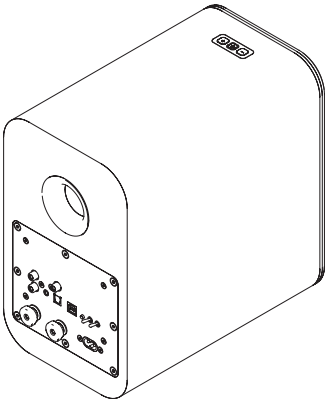
感谢您购买 Q Acoustics M20 HD 无线音乐系统。

本手册旨在引导您完成设置和安装过程，帮助实现产品最佳性能。

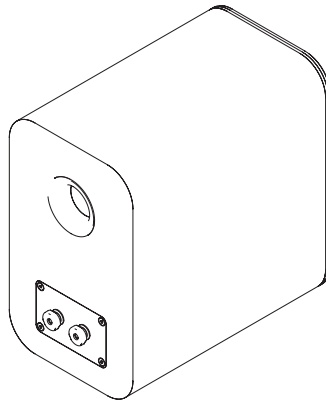
请在安装和使用之前仔细阅读操作指南、重要安全信息和警告，以确保本产品实现安全和令人满意的运行。

Q M20 系统将卓越的立体声性能与便捷的连接和集成的放大功能相结合。

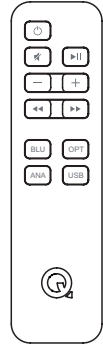
## 包装内容



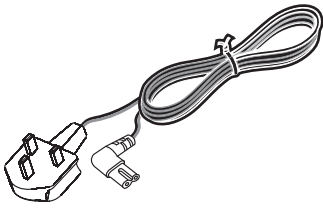
1 个放大扬声器



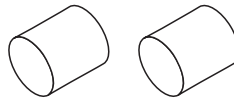
1 个无源扬声器



1 个遥控器



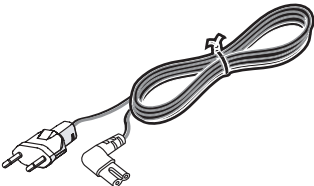
1 根英标电源线\*



2 个泡沫塑料塞



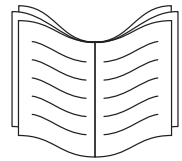
2 块遥控器电池



1 根欧标电源线\*



1 根 4m 扬声器线



1 本用户手册

\*提供的电源线可能因市场版本的不同而异。

## 功能摘要

### 有线连接

- 模拟音频输入 - 立体声唱机插孔或 3.5mm 立体声插口可连接 CD 播放器等外部模拟音频源
- 光纤数字输入 - 可连接电视等外部数字音频源
- 扬声器输出 - 立体声 4mm 插座，可从放大扬声器连接到无源扬声器
- USB - USB B 型插座，可连接到计算机设备
- 重低音输出 - 一种唱机重低音扬声器输出，可连接外置重低音扬声器。

### 无线连接

- Bluetooth® HD - 一种国际通用的无线连接方式，用于串流来自所有兼容设备的音频。
- AVRCP - 一个蓝牙控制协议，同步您的设备的音量和静音控制，以便捷地与我们的 Q Acoustics 扬声器集成。

### 音质

左/右位置开关 - 使放大扬声器可以作为一对扬声器中的左扬声器或右扬声器放置，以最接近主电源插座。

边界控制开关 - 用户可通过此开关控制 EQ 设置，从而获得最佳的声学性能。它可根据扬声器位置、安装方式或者用户喜好调整。

## 遥控器电池

### 安装或更换电池

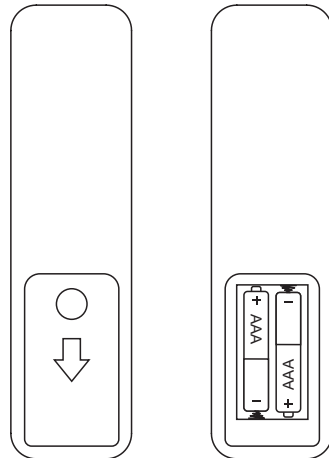
- 按所示方向从遥控器上滑下电池盖。
- 从遥控器上抬起电池盖。
- 取出过期的电池（如有必要）。
- 如图所示安装新电池，注意极性。

更换电池时，请仅使用相同的 AAA 电池。

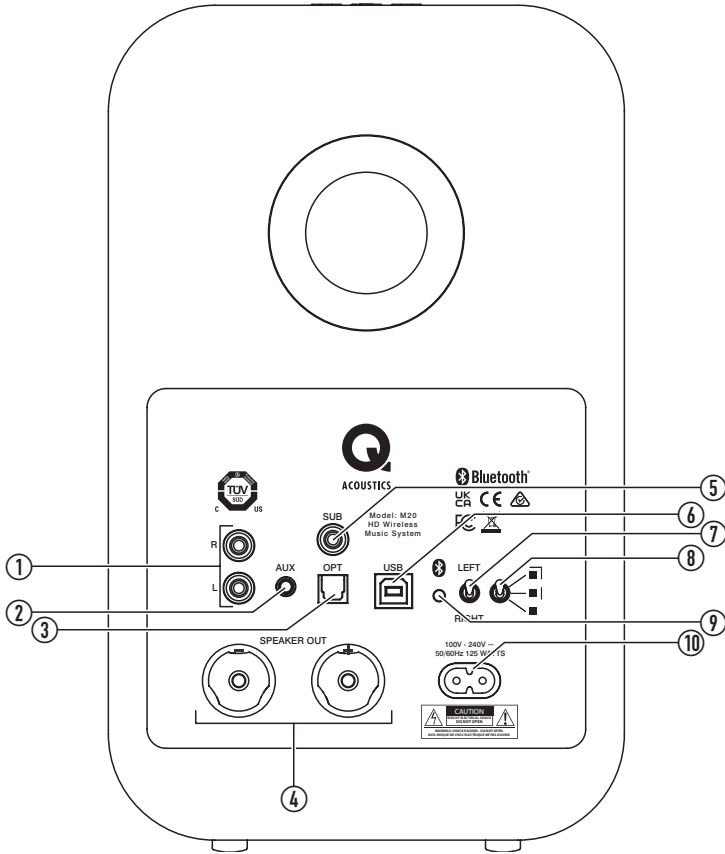
推荐使用碱性电池。其他类型的电池可能泄漏并导致损坏。

### 电池的处置

请根据您的当地的回收法规处置废旧电池。请勿使电池短路或将其扔到水中、一般垃圾中或火中。



扬声器后部连接和控制

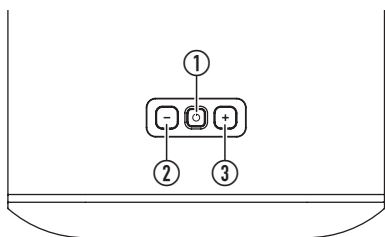


- |  |  |
|--|--|
| <ol style="list-style-type: none"> <li>1. 模拟唱机<br/>连接模拟音频源</li> <li>2. 模拟 3.5mm 插口<br/>连接模拟音频源（禁用唱机插座）</li> <li>3. 光纤 Toslink<br/>连接数字光纤音频源</li> <li>4. 扬声器输出<br/>连接无源扬声器</li> <li>5. SUB<br/>连接可选的外置重低音扬声器</li> </ol> | <ol style="list-style-type: none"> <li>6. USB<br/>连接计算机音频源</li> <li>7. 扬声器位置<br/>选择房间中收听位置左侧或右侧的位置</li> <li>8. 均衡器开关<br/>调节扬声器的低音响应</li> <li>9. 蓝牙<br/>按下可进入蓝牙配对模式</li> <li>10. 交流电源<br/>连接到主电源 100v - 240v</li> </ol> |
|--|--|



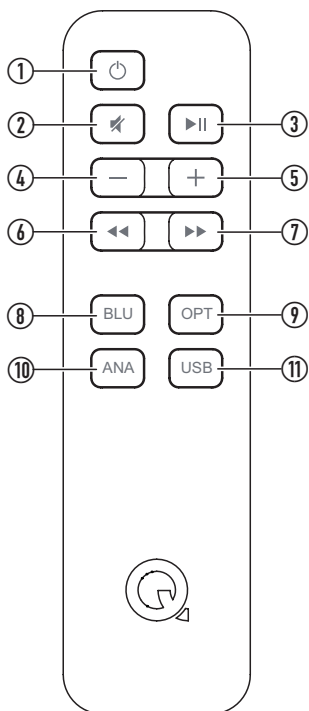
## 按键

### 扬声器控制



1. 待机/音源  
按下可开启，长按可进入待机状态  
按下可更改声源  
处于待机状态时长按将进入深度待机状态
2. **-**  
按下可将音量减小一级  
按住可持续减小音量
3. **+**  
按下可将音量增加一级  
按住可持续增加音量

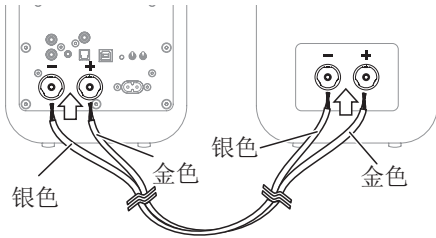
### 遥控器



1. **⏻**  
使系统进入待机状态，打开到光纤输入
2. **🔇**  
使扬声器静音/取消静音
3. **⏸**  
暂停/播放音频（仅限蓝牙输入）
4. **-**  
短按可将音量减小一级  
按住将持续减小音量
5. **+**  
短按可将音量增加一级  
按住将持续增加音量
6. **⏮**  
后退一个曲目（仅限蓝牙输入）
7. **⏭**  
前进一个曲目（仅限蓝牙输入）
8. BLU  
选择蓝牙输入，长按可将系统设置为配对模式
9. OPT  
选择光纤输入
10. ANA  
选择模拟输入
11. USB  
选择 USB 输入

## 连接扬声器

首先，在两个扬声器之间连接随附的扬声器线。导线通过不同的颜色来标识正负极。确保始终在两端的正极使用金色导线，在负极使用银色导线。



## 扬声器位置和组装

只需将扬声器放在主收听位置任意一侧的合适的平坦表面上，两者最好相距约 2.0-4.0 米（2-4 码）。

或者，可以将 Q M20 与 Q 3000Fsi 落地支架或 Q 3000WB 墙装支架（另售）一起使用，请按照这些支架随附的说明操作。

- 扬声器可以放置在右侧或左侧，只需正确设置左侧/右侧的开关即可。

## 调节均衡器开关

- 可根据您需要的低音水平调节扬声器的低音响应。低音水平会受到扬声器与墙壁、架子或角落之间的位置影响。可以在三个位置中分别试听 M20 扬声器的效果，然后选择最喜欢的音效。
- 这个位置可提供最大低音输出，适合扬声器放置在远离墙壁或角落的位置。
- | 这个位置为低音输出提供一个中点，适合扬声器放置在墙壁附近或放在支架上。
- | 这个位置可提供最低水平的低音输出，适合扬声器放置在房间的角落处。

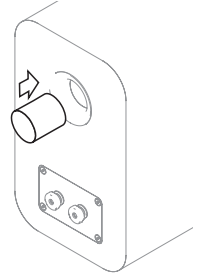
## 可选的重低音扬声器

可以将重低音扬声器作为选件连接到重低音插座。重低音扬声器应包含电平和交叉频率控制。连接重低音扬声器后，播放一些低音内容良好的音乐并根据您喜欢的声音调节重低音扬声器控制。

## 开孔

Q M20 扬声器背部有开孔，设计的最佳工作环境是在其背部与墙壁之间留出一定空间（大约 200mm）。如果将音箱紧靠墙/角落放置，则应该将泡沫塑料塞塞入背部的开孔中，以免低音过强。

- 确保将塞子妥善塞入开孔中而不要塞入过深。




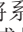

您将发现低音减轻了，但解析度和低频延伸均有改善。

反复试验，了解自己的喜好，微调音箱位置，优化最终音响效果。

## 开机

- 将电源线连接到放大扬声器并插入主电源插座。

通电后，待机 LED 将点亮为红色。

- 要打开系统，按遥控器或控制面板上的 。
- 要将系统设置为待机，按遥控器上的  或长按控制面板上的 。

## 自动待机

Q M20 系统具有省电自动待机功能。如果在二十分钟内没有播放音乐，系统将自动设置为待机状态。

### 使用蓝牙播放音频

您可以使用许多蓝牙设备通过 Q M20 系统播放音频。首先，需要根据以下说明将您的蓝牙设备与扬声器配对。

1. 按住遥控器上的蓝牙输入按钮，直到扬声器上的蓝色 LED 闪烁。或者，按放大扬声器背面的蓝牙按钮，LED 将以蓝色闪烁。
2. 选择设备上的蓝牙设置，并在设备中找到 Q M20 HD。
3. 在新的蓝牙设备列表中选择 Q M20 HD 设备。

连接后，LED 将停止闪烁并以蓝色常亮。

4. 现在，您可以从您的设备播放音频。

与设备配对后，下次只需连接到 Q M20，它就会打开并选择蓝牙输入。

播放音频时，可以使用该设备、遥控器或放大扬声器上的按钮调节音量。还可以使用遥控器播放、停止和跳过曲目。

### 清除蓝牙配对列表

如果需要，可以执行以下步骤，从蓝牙配对列表内存中清除所有设备：

1. 长按遥控器上的 BLU 音源按钮，将扬声器设置为蓝牙配对模式，LED 将以蓝色闪烁。
2. 再次按住遥控器上的 BLU 音源按钮，直到 LED 熄灭，然后闪烁三次。

现在，蓝牙配对列表即从内存中清除，设备必须再次配对才能连接。

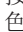
### 使用光纤数字输入播放音频

使用标准的 TOSLINK 光纤电缆将数字音频源连接到放大 Q M20 扬声器。

- 按遥控器上的 OPT 按钮或按扬声器上的  按钮，直到 LED 以白色亮起。

可以使用遥控器或放大扬声器上的按钮调节音量。

### 使用模拟输入播放音频

- 使用唱机插孔或 3.5mm 立体声插口连接模拟音频源。按遥控器上的 ANA 按钮或按扬声器上的  按钮，直到 LED 以绿色亮起。

可以使用遥控器或放大扬声器上的按钮调节音量。

### 使用 USB 输入播放音频

将 USB A-B 型线从计算机设备连接到 Q M20 放大扬声器。

- 按遥控器上的 USB 按钮或按扬声器上的  按钮，直到 LED 以黄色亮起。

然后，需要通过以下网址从 Q Acoustics 网站下载正确的 USB 驱动程序：

[support.qacoustics.co.uk](http://support.qacoustics.co.uk)

将文件保存到计算机，然后按照以下说明进行操作（针对 Windows 10）

1. 打开“设备管理器”
2. 在“声音、视频和游戏控制器”中选择“USB2.0 High-Speed True HD Audio”
3. 选择“驱动程序”，然后选择“更新驱动程序”
4. 选择“浏览计算机以查找驱动程序”，然后浏览到下载的文件夹并进行选择
5. Windows 将更新驱动程序
6. 完成后，可以从扬声器选项中选择“SPDIF (USB2.0 High-Speed True HD Audio)”。
7. 打开音乐播放应用程序并开始欣赏。

可以使用遥控器或放大扬声器上的按钮调节音量。

## 操作

### LED 状态

|                   |                         |
|-------------------|-------------------------|
| 红色                | 系统处于待机状态                |
| 暗红色               | 系统处于深度待机状态              |
| 白色                | 系统正在播放光纤音源              |
| 白色, 闪烁            | 正在调节音量                  |
| 白色, 每 3 秒钟双闪一次    | 光纤输入正在接收无法播放的多通道或杜比数字音频 |
| 蓝色                | 系统正在播放蓝牙音源              |
| 蓝色, 慢脉冲闪烁         | 未连接蓝牙设备                 |
| 蓝色闪烁              | 蓝牙配对模式                  |
| 蓝色, 三闪            | 蓝牙配对列表已清除               |
| 绿色                | 系统正在播放模拟音源              |
| 黄色                | 系统正在播放 USB 音源           |
| 源色 (白、蓝、绿、黄) 脉冲闪烁 | 已静音                     |

## 规格

### 放大器性能

电源输出 (<1% THD)..... 2 x 32W/4 Ω  
THD (在 20W/4 Ω 下) ..... <0.2%  
频率响应 (DSP 平整定形)  
..... 20Hz 至 20kHz ±0.5dB  
信噪比 (辅助, A 加权, 最大音量, 参考 1W)  
..... >-81dB  
模拟输入灵敏度 (对于 32W) ..... 395mV  
模拟输入过载..... 2.2V  
迷你插口输入灵敏度 (对于 32W) ..... 220mV  
迷你插口输入过载..... 1.2V  
重低音输出 (100Hz, 在 32W 主通道). 380mV  
光纤输入..... Toslink  
光纤输入采样率范围..... 24 位/192kHz  
USB 输入采样率范围..... 24 位/192kHz

### 扬声器

外壳类型..... 双向反射 (有开孔)  
中频驱动器..... 125mm (5.0in)  
高频扬声器..... 22mm (0.9in)  
交叉频率..... 2.4kHz  
频率响应 (自由, -6dB) .... 55 Hz - 22 kHz

### 电源

供电电压..... 100V - 240V, 50-60Hz  
最大功耗..... 125W  
待机功耗..... <0.5 Watts

### Bluetooth®

蓝牙规范..... V5.0  
音乐增强..... apt X、aptX HD®  
apt X Low Latency、SBC、AAC

### 尺寸

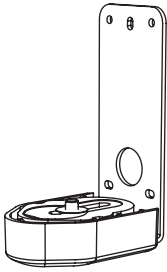
宽 x 高 x 深) .... 170mm x 279mm x 296mm  
6<sup>11</sup>/<sub>16</sub>" x 11" x 11<sup>5</sup>/<sub>8</sub>"

### 重量

放大扬声器..... 5.5kg  
121b 2oz  
无源扬声器..... 5.1kg  
111b 4oz

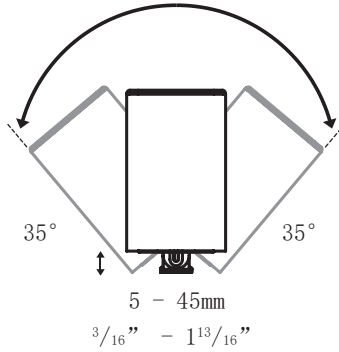
## 配件

Q 3000WB 墙装支架

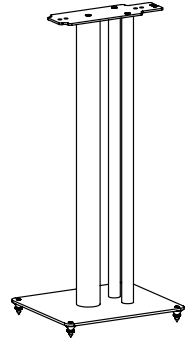


尺寸 (宽 x 高 x 深)  
: 70 x 159 x 99 mm  
 $2\frac{3}{4}$ " x  $6\frac{9}{32}$ " x  $3\frac{7}{8}$ "

Q 3000WB 调节角度



Q 3000FSi 落地支架



尺寸 (宽 x 高 x 深):  
250 x 682 x 290 mm  
 $9\frac{7}{8}$ " x  $29\frac{13}{16}$ " x  $1\frac{17}{16}$ "

## 保修

Q M20 系统自购买之日起享受 1 年材料和工艺缺陷的保修服务。在保修期内，经特约分销商或代理商检查确认存在故障的任何产品，将由 Q Acoustics 自行确定是进行维修还是更换。

误用和正常损耗不在保修范围内。

需要维修的商品应首先退回当地经销商处。如果无法退回商品，请联系当地 Q Acoustics 或特约分销商，以确定正确的保修程序。如果可能，请使用原包装将产品退回，因为在送往维修中心途中所出现的损坏将不在保修范围内。保修不会以任何方式影响您的法定权利。

您可以通过在 [www.qacoustics.co.uk/register](http://www.qacoustics.co.uk/register) 上登记您的产品，将保修期延长到 2 年。

## 联系信息

### 总公司

Q Acoustics  
Woodside 2  
Dunmow Road  
Bishops Stortford  
Hertfordshire, UK  
CM23 5RG

### 知识库

对于本手册中不包含的任何其他信息、支持问题和/或请求，请访问我们的在线知识库门户网站：

[support.qacoustics.co.uk](http://support.qacoustics.co.uk)

### 服务信息

[support@qacoustics.co.uk](mailto:support@qacoustics.co.uk)



# M 20 HD 無線系統

## 用戶手冊



藍牙 (Bluetooth) 文字標記及圖標為 Bluetooth SIG, Inc. 之註冊商標, Armour Home Electronics Ltd. 已獲許可使用該等標記。aptX® 標記及 aptX 圖標為 CSR plc 或其中一家集團公司之商標, 可在一個或多個司法管轄區註冊。其他商標及商標名稱均為其各自所屬之持有人所有。

|                                  |    |
|----------------------------------|----|
| 安全資訊.....                        | 1  |
| 重要資訊 - 請細心閱讀.....                | 1  |
| 正確棄置本產品.....                     | 1  |
| 維修.....                          | 2  |
| 英國用戶重要通知.....                    | 2  |
| 附註.....                          | 2  |
| 美國聯邦通訊委員會 (FCC) 聲明 (適用美國客戶)..... | 2  |
| 加拿大工業部聲明 (適用加拿大客戶).....          | 2  |
| 簡介.....                          | 3  |
| 包裝內容物.....                       | 3  |
| 功能概要.....                        | 4  |
| 有線連線.....                        | 4  |
| 無線連線.....                        | 4  |
| 音響組件.....                        | 4  |
| 遙控器電池.....                       | 4  |
| 主要項目.....                        | 5  |
| 揚聲器後方連線及控制.....                  | 5  |
| 揚聲器控制.....                       | 6  |
| 遙控器控制.....                       | 6  |
| 操作.....                          | 7  |
| 揚聲器之間連線.....                     | 7  |
| 揚聲器放置及安裝.....                    | 7  |
| 調整 EQ 域開關.....                   | 7  |
| 自動待機.....                        | 7  |
| 使用藍牙播放音訊.....                    | 8  |
| 清除藍牙配對列表.....                    | 8  |
| 使用光學數字模式播放音訊.....                | 8  |
| 使用類比模式播放音訊.....                  | 8  |
| 使用 USB 連接埠播放音訊.....              | 8  |
| LED 燈狀態.....                     | 9  |
| 規格.....                          | 9  |
| 擴大機性能.....                       | 9  |
| 揚聲器.....                         | 9  |
| 電源.....                          | 9  |
| 藍牙®.....                         | 9  |
| 尺寸.....                          | 9  |
| 重量.....                          | 9  |
| 配件.....                          | 10 |
| 保養.....                          | 10 |
| 聯絡方式.....                        | 10 |
| 總公司.....                         | 10 |
| 知識庫.....                         | 10 |
| 服務資訊.....                        | 10 |

## 重要資訊 - 請細心閱讀



此符號表示，本機件附帶之文字資料含有重要操作及維護指引。



此符號表示，本機件內帶有可構成觸電風險之危險電壓。



本設備屬第 II 類或雙重絕緣設備。該設備之設計使其無需連接安全接地線。

閱讀這些指引說明並予以保存。

留意所有經過並遵循一切指引。

切勿在有水地方附近使用本設備。

僅限使用乾燥的軟布清潔。

切勿阻塞通風口。

按照製造商之指引說明安裝。

切勿在諸如散熱器、熱記錄器、暖爐或其他散熱設備（包括擴大機）等產生熱量之熱源附近安裝。

保護主電源線免受踩踏或擠壓，特別是插頭、便利插座以及從散熱設備引出的地方。

僅使用製造商指定之附件/配件。

僅使用製造商指定，或與散熱設備一同出售的推車、支架、三腳架、托架或桌面。在使用推車時，務必小心移動推車/散熱設備組件，以避免因翻倒而受傷。

在雷雨天氣期間或長期不使用時，請拔出本機電源。

切勿破壞極性插頭或接地式插頭。極性插頭有兩片觸片，一片較另一片寬。接地型插頭有兩片觸片及第三個接地插腳。較寬的觸片或第三個接地插腳乃專為您的安全而設。如所提供之插頭不適合您的插座，請諮詢電工或更換原有插座。

不得在本產品上放置諸如蠟燭等明火源。

電池（電池組或已安裝之電池）不得受過多熱量影響，例如太陽照射、明火或類似熱源。

請注意設備上的所有警告字眼，無論任何情況均不得拆解設備或移除封蓋，以方式起火或觸點風險。

本機件的主電源工作電壓已在背面銘牌標示。請在檢查電壓是否與主電源相同之後連接主電源。

注意：未經製造商許可而加以更換或修改，或會引致用戶操作本設備之權限失效。

注意：使用未在此列出的控制、調整或執行步驟，或會引致出現危險。

警告：交流電輸入連接器應作為安全斷開設備使用。須在易於觸及之處安裝。

警告：為減少起火及觸電之風險，請勿將本產品暴露在雨水或潮濕環境下。請勿讓本產品掉落或滲水，同時不得在其上放置裝有液體的物件（例如花瓶）。

為避免窒息危險，請將所有包裝及膠袋放置於遠離嬰孩之處。

第三方：萬一您須將本產品轉交予第三方，請在本產品中附上這些操作指引說明。

## 正確處置本產品



此標記表明，在整個歐盟範圍內，本產品不得與其他家居廢物一同棄置。為防止無法控制的廢物棄置對環境及人類健康可能造成的傷害，請以負責任的方式將其作回收處理，以推動物質資源之可持續再利用。如要退回已使用之設備，請使用回收收集系統或聯絡購買本產品時之零售商。他們可透過對環境安全之方式將本產品予以回收。



## 安全資訊

### 維修

請將維修服務交予合資格人員執行。

如以任何方式損毀設備，例如電源線或插頭損壞、機件被濺水或有異物進入，均需予以維修，該設備在跌落後會無法正常運作。

需維修之設備應交回您所在區域的供應商或維修代理。

### 英國用戶重要通知

英式電源線應採用配有 3A 保險絲的英國認可電源插頭作為連線終端。如需更換保險絲，請使用獲 ASTA 或 BSI 許可、額定電流為 3A 的 BS1362 保險絲。

## 附註

美國聯邦通訊委員會 (FCC) 聲明 (適用美國客戶)

本設備符合 FCC 規則第 15 部分。操作須符合以下兩個條件：(1) 本設備不得引起有害之干擾，且 (2) 本設備須接受任何已接收之干擾，包括可能引致意外操作之干擾。

本設備經測試證明符合 FCC 規則第 15 部分所規定之 B 級數字設備規限。此等規限旨在提供合理保護，以防住宅內安裝的有害干擾。本設備產生、使用，並可發出無線電頻率能量，如不依據指引手冊安裝及使用，或會對無線電通訊構成有害干擾。然而，在特定安裝中不受干擾則無法保證。如本設備確實對無線電廣播或電視接收構成有害干擾 (可關閉再開啟設備以確認)，則鼓勵用戶採取下列一項或多項措施以修正干擾：

- 調整接收天線方向或重新安置天線。
- 增加設備與接收器之間的間隔。
- 將設備接入與接收器所連結的插座不同的另一插座。
- 諮詢經銷商或有經驗之無線電廣播/電視機技工獲取協助。

注意！未經製造商明確許可而對本設備加以更換或修改，則會引致用戶操作本設備之權限失效。

本設備符合針對非控制環境的 FCC 輻射暴露限定。安裝及操作本設備時，散熱器與您的身體之間須至少保持 20cm 距離。

加拿大工業部聲明 (適用加拿大客戶)

CAN ICES-3 (B)/NMB-3 (B)

該裝置符合 RSS 102 第 2.5 節常規評估限制之豁免事項，且完全符合 RSS-102 RF 之規定。用戶可從加拿大工業部獲取射頻發射及合規之資訊。

此裝置符合加拿大工業部豁免許可之 RSS 標準。操作須符合以下兩個條件：

1. 本設備不得引起有害之干擾，且
2. 本設備須接受任何已接收之干擾，包括可能引致意外操作之干擾。

## 簡介

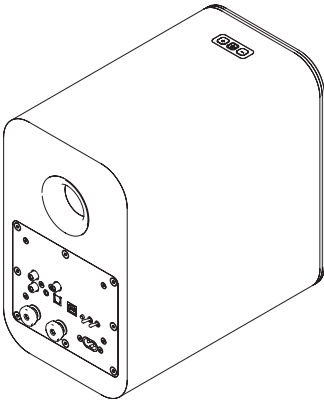
感謝選購 Q Acoustics M 20 HD 無線音樂系統。

本手冊旨在引導您完成設定及安裝，且將有助實現產品性能最佳化。

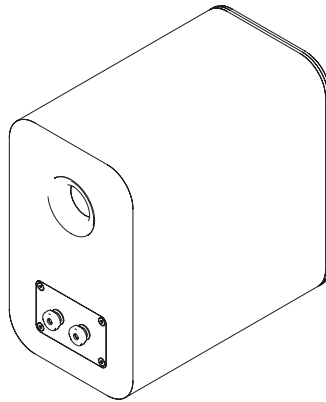
在安裝及使用前，請詳盡閱讀各項指引、重要安全資訊及警告，以保證本產品之操作安全且滿意。

Q M 20 系統結合了卓越的立體聲性能與方便的連線及綜合擴大機。

## 包裝內容物



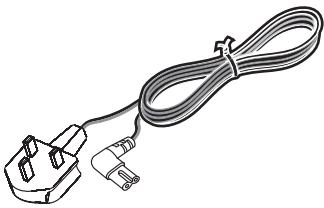
1 x 擴大機揚聲器



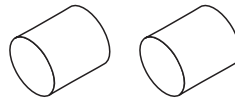
1 x 無源揚聲器



1 x 遙控器



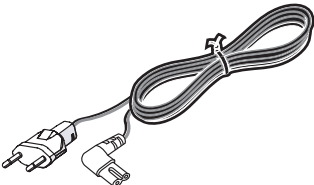
1 x 英式電源線\*



2 x 發泡膠墊



2 x 遙控器電池

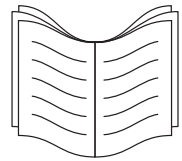


1 x 歐式電源線\*

\*供應之電源線會因市場版本而異。



1 x 4m 揚聲器電源線



1 x 用戶手冊

## 功能概要

### 有線連線

- 類別音訊輸入 - 立體聲唱頭插槽或 3.5mm 立體聲接頭可供連接諸如 CD 播放機等外部類比音訊
- 光學數字模式輸出 - 可供連接諸如電視機等外部數字音訊來源
- 揚聲器輸出 - 立體聲 4mm 插槽，可供從擴大機揚聲器連接至無源揚聲器
- USB 連接埠 - USB type B 插槽，可供連接電腦設備
- 重低音輸出 - 唱頭超低音揚聲器輸出，可供連接外部超低音揚聲器。

### 無線連線

- 藍牙® HD - 國際通用無線連線，用於各種相容設備的串流音訊。
- 音訊 / 視訊遙控協定 (AVRCP) - 可同步您設備的音量及靜音控制的藍牙控制通道，可輕鬆整合我們的 Q Acoustics 揚聲器。

### 音響組件

左/右位置開關 - 啟用擴大機揚聲器，讓其與放置為左方或右方的揚聲器配對（以靠近電源插座位置者為準）。

EQ 域開關 - 供用戶控制 EQ 設定，以達至最佳聲音效果。這可依據揚聲器位置、安裝情況及用戶喜好加以變更。

## 遙控器電池

### 放入或更換電池

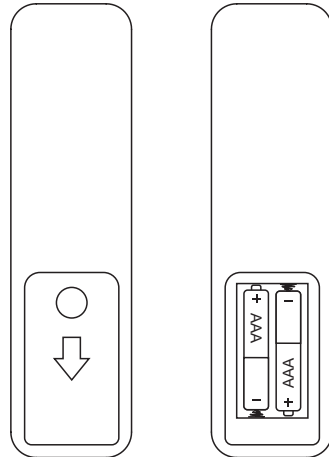
- 沿圖示方向將電池蓋從遙控器滑出。
- 將電池蓋取離遙控器。
- 移除失效電池（如有需要）。
- 按所示極性裝入新電池。

更換新電池時，務必使用同一種 AAA 電池。

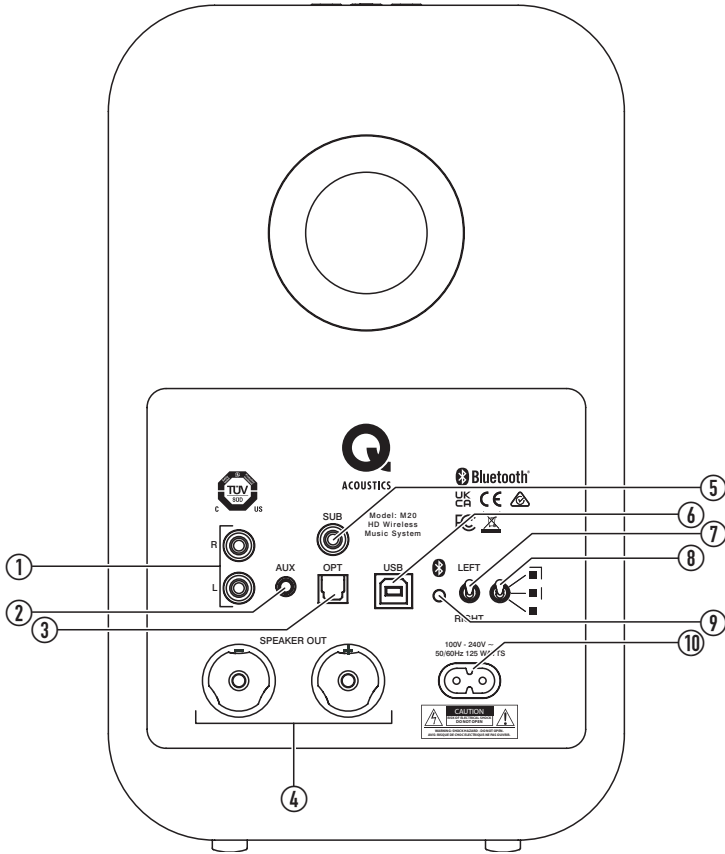
建議使用鹼性電池。其他種類電池可能出現漏液並引致損壞。

### 電池棄置

遵照您所在地區之回收法規棄置已使用之電池。切勿將電池短路，或投入水體、一般垃圾或明火中。



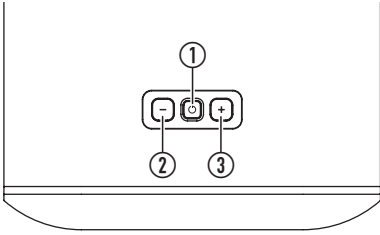
揚聲器後方連線及控制



1. 類比唱頭  
連接類比音訊源
2. 類比 3.5mm 接頭  
連接類比音訊源（停用從唱頭插槽）
3. 光纖端子  
連接數字光纖音訊源
4. 揚聲器輸出  
連接無源揚聲器
5. 重低音  
連接選裝外部超低音揚聲器
6. USB 連接埠  
連接電腦音訊源
7. 揚聲器位置  
從收聽位置選擇房間中的左側或右側位置
8. EQ 域開關  
調節揚聲器的低音效果
9. 藍牙  
按下以進入 BT 配對模式
10. 交流電源  
連接主電源 100v - 240v

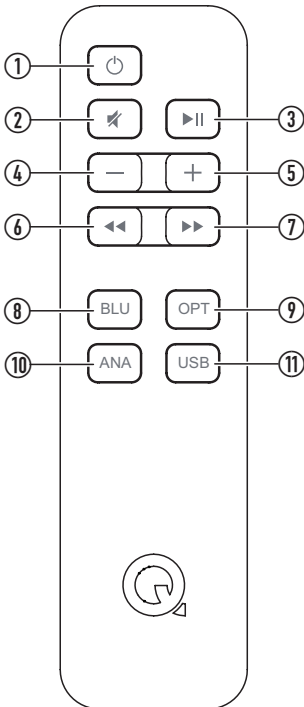
## 主要項目

### 揚聲器控制



1. 待機/播放源  
按下開關開機，長按以設定為待機狀態  
按下以更換播放源  
當待機狀態進入深層待機狀態時，請以更長的時間按下
2. **-**  
按下以單步指令降低音量  
按下並按住以持續降低音量
3. **+**  
按下以單步指令升高音量  
按下並按住以持續升高音量

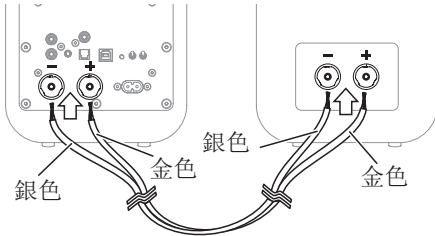
### 遙控器



1. 讓系統進入待機狀態，開啟光纖輸入
2. 將揚聲器設為靜音/取消靜音
3. 僅在藍牙輸入時暫停/播放音訊
4. **-**  
短按以單步指令降低音量  
按下並按住，將會持續降低音量
5. **+**  
短按以單步指令升高音量  
按下並按住，將會持續升高音量
6. 僅在藍牙輸入時跳至上一曲目
7. 僅在藍牙輸入時跳至下一曲目
8. BLU  
選取藍牙輸入，長按將系統設為配對模式
9. OPT  
選取光纖輸入
10. ANA  
選取類比輸入
11. USB 連接埠  
選取 USB 輸入

## 揚聲器之間連線

首先，以所提供的揚聲器線纜連接兩個揚聲器。這些纜線以不同顏色區分 + 及 - 兩極。務必保證兩端連結之極性相同，金色纜線為 +，銀色纜線為 -。



## 揚聲器放置及安裝

只需將揚聲器放在主收聽器任意一側的一個適當平面，最佳距離為 2.0 - 4.0 米 (2-4 碼)。

此外，您可依據此處所提供指引，將 Q M 20 與 Q 3000FSi 落地支架或 Q 3000WB 牆面支架（單獨使用）一同使用。

- 擴大機揚聲器可放置於左側或右側的任意一側，只需正確設定左側/右側開關即可。該可供為擴大機揚聲器設定左側或右側通道。

## 調整 EQ 域開關

- 您可調節揚聲器的低音效果，以適應您所需的低音水平，這受揚聲器相對牆壁、支架或角落的位置的影響。嘗試在這三個位置的每一個收聽您的 M 20 揚聲器，並選擇您認為最為理想的一個。
  - 這一位置的低音輸出最多，如揚聲器遠離牆壁或角落，則適合放置。
  - | 這一位置的低音處於中間點，如揚聲器靠近牆壁或有支架供放置，則適合放置。
  - | 這一位置的低音輸出最少，如揚聲器放置於房間角落，則適合放置。

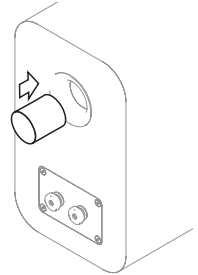
## 可選裝超低音揚聲器

可將可選裝的超低音揚聲器接入 SUB 插座。超低音揚聲器應包含電平及分頻控制。連接超低音揚聲器後，播放具有良好低音內容的音樂，並將超低音揚聲器控制調節至您喜愛的聲音。

## 連接埠減幅

Q M 20 揚聲器為後置式設計，在其後方留出部分空間以發揮最佳效果，例如，距離牆體 200mm。如將揚聲器放置於靠近牆壁/角落的地方，則應在後部連接埠放入，否則可能出現低音過多的情況。

- 務必將塞頭塞入連接埠並塞緊，但不要塞入過深。


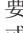



您會看見低音等級已降低，但清晰度和低音擴展性卻增加了。

做一個實驗看一下您喜歡什麼，並對揚聲器位置略為加以改變，以讓最終結果得以最佳化。

## 接通電源

- 將電線連結至擴大機揚聲器並插入主插座。

當電源接通，待機 LED 即變紅。
- 要開啟系統，按下遙控器或控制台的  按鈕。
- 要將系統設為待機，按下遙控器的  或控制台的  。

## 自動待機

Q M 20 系統含有一項節能自動待機功能。如在二十分鐘內未有播放任何音樂，則系統自動設定為待機。

### 使用藍牙播放音訊

您可使用藍牙設備透過 Q M 20 系統播放音訊。首先，您須依照下列指引將揚聲器配對您的藍牙裝置。

1. 按下並按住遙控器上的藍牙輸入按鈕，直至揚聲器上的藍色 LED 燈閃動。抑或，按下擴大機揚聲器背後的藍牙按鈕，LED 燈會閃動藍色燈光。
2. 在您的設備選擇藍牙設定，然後在設備列表中尋找 Q M 20 HD。
3. 在新的藍牙設備列表中選取 Q M 20 HD 設備。

在連線後，LED 燈會停止閃動並保持亮起藍色燈。

4. 您現可從您的設備播放音訊。

當您已將設備配對，即可在下一次連線 Q M 20 時開啟並選擇藍牙輸入。

播放音訊時，您可使用該設備、遙控器或擴大機揚聲器上的按鈕更改音量。您亦可使用遙控器播放、暫停或跳過曲目。

### 清除藍牙配對列表


如有需要，您可使用以下步驟清除藍牙配對列表記憶的所有設備：

1. 長按遙控器上的 BLU 播放源按鈕讓揚聲器進入藍牙配對模式，LED 燈即會閃動藍色燈。
2. 再一次按下並按住遙控器上的 BLU 播放源按鈕，直至 LED 燈完全熄滅然後閃動三次。

藍牙配對列表現已從記憶中清除，因此須重新配對設備方可連線。


### 使用光學數字模式播放音訊

使用標準 TOSLINK 光纖纜線將您的數字音訊播放源連接至擴大機 Q M 20 揚聲器。

- 按下遙控器上的 OPT 按鈕，或按下揚聲器上的  按鈕，直至 LED 燈亮起白色燈。

您可使用遙控器或擴大機揚聲器上的按鈕更改音量。


### 使用類比模式播放音訊

- 使用唱頭插槽或 3.5mm 立體聲接頭插槽連接您的類比音訊播放源。按下遙控器上的 ANA 按鈕，或按下揚聲器上的  按鈕，直至 LED 燈亮起綠色燈。

您可使用遙控器或擴大機揚聲器上的按鈕更改音量。

### 使用 USB 連接埠播放音訊

將 USB A-B type 纜線從您的電腦設備連接至 Q M 20 擴大機揚聲器。

- 按下遙控器上的 USB 按鈕，或按下揚聲器上的  按鈕，直至 LED 燈亮起黃色燈。

之後您需要在 Q Acoustics 網站下載正確 USB 驅動程式，網址為：

[support.qacoustics.co.uk](http://support.qacoustics.co.uk)

將該檔案保存在您的電腦，然後遵循此等 Windows 10 指引

1. 打開「設備管理員」
2. 在「聲音、影片及遊戲控制」中選擇「USB2.0 High-Speed True HD Audio」
3. 選擇「驅動程式」，然後「更新驅動程式」
4. 選擇「在我的電腦尋找驅動程式」，然後找到已下載的資料匣，接著選取該項
5. Windows 將在之後更新驅動程式
6. 完成後，您可從揚聲器選項中選擇「SPDIF (USB2.0 High-Speed True HD Audio)」
7. 開啟您的音樂播放應用程式並盡情欣賞。

您可使用遙控器或擴大機揚聲器上的按鈕更改音量。

## 操作

### LED 燈狀態

|                        |                                  |
|------------------------|----------------------------------|
| 紅色                     | 系統處於待機狀態                         |
| 深紅色                    | 系統處於深度待機狀態                       |
| 白色                     | 系統正在播放光纖播放源                      |
| 白色，閃動                  | 調節音量                             |
| 白色，每隔 3 秒閃動兩次          | 光纖輸入正在從多條通道接收訊號，或正在接收無法播放的杜比數字音訊 |
| 藍色                     | 系統正在播放藍牙播放源                      |
| 藍色，緩慢跳動                | 未有連接藍牙設備                         |
| 藍色，閃動                  | 藍牙配對模式                           |
| 藍色，閃動三次                | 藍牙配對列表已清除                        |
| 綠色                     | 系統正在播放類比播放源                      |
| 黃色                     | 系統正在播放 USB 播放源                   |
| 播放源顏色（白色、藍色、綠色、黃色）間隔跳動 | 靜音                               |

## 規格

### 擴大機性能

電源輸出 (<1% 總諧波失真)  
..... 2 x 32W//4 Ω  
總諧波失真 (at 20W//4 Ω)..... <0.2%  
頻率響應 (DSP 設為平坦模式)  
..... 20Hz 至 20kHz ±0.5dB  
訊噪比 (aux 接口、A-Wtd、最大音量、參考  
功率 1W) ..... >81dB  
類比輸入靈敏度 (適用於 32W) ..... 395mV  
類比輸入過載..... 2.2V  
迷你插孔輸入靈敏度 (適用於 32W)  
..... 220mV  
迷你插孔輸入過載..... 1.2V  
重低音輸出 (100Hz, 位於 32W 主通道)  
..... 380mV  
光纖輸入端子..... TOSLINK  
光纖輸入取樣頻率..... 24bit/192kHz  
USB 連接埠輸入取樣頻率..... 24bit/192kHz

### 揚聲器

附件類型..... 2-向反射 (經移植)  
中音揚聲器..... 125mm (5.0 吋)  
高音揚聲器..... 22mm (0.9 吋)  
交越頻率..... 2.4kHz  
頻率響應 (自由, -6dB) ..... 55Hz - 22kHz

### 電源

供電電壓..... 100V - 240V, 50-60Hz  
最大功耗量..... 125W  
待機功耗量..... <0.5 Watts  
藍牙®  
藍牙規格..... V5.0  
音樂播放工具..... apt X, aptX HD®  
apt X 低延遲、SBC、AAC

### 尺寸

(寬 x 高 x 深) ... 170mm x 279mm x 296mm  
6<sup>11</sup>/<sub>16</sub>" x 11" x 11<sup>5</sup>/<sub>8</sub>"

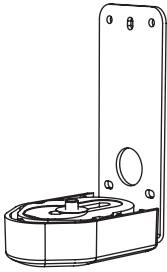
### 重量

擴大機揚聲器..... 5.5kg  
121b 2oz  
無源揚聲器..... 5.1kg  
111b 4 oz



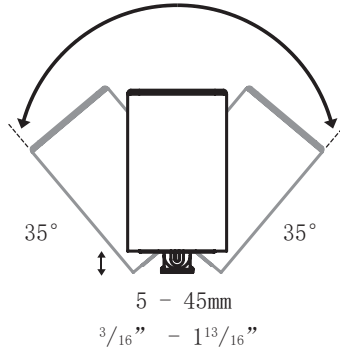
## 配件

Q 3000WB 壁掛支架

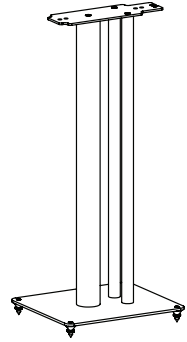


尺寸 (寬 x 高 x 深) :  
70 x 159 x 99mm  
2<sup>3</sup>/<sub>4</sub>" x 6<sup>9</sup>/<sub>32</sub>" x 3<sup>7</sup>/<sub>8</sub>"

Q 3000WB 調節角度



Q 3000FSi 落地支架



尺寸 (寬 x 高 x 深) :  
250 x 682 x 290mm  
9<sup>7</sup>/<sub>8</sub>" x 29<sup>13</sup>/<sub>16</sub>" x 1<sup>17</sup>/<sub>16</sub>"

## 保養

Q M 20 系統保養期為購買之日起計一年，保養範圍為材料及製造缺陷。在保養期內，Q Acoustics 將會全權決定為經公司，或指定經銷商或代理檢測有缺陷的產品予以修理或更換。

濫用及正常磨損不屬於保養範圍。

需修理的貨品應首先退回之前售出貨品的供應商。如若此項不可行，請聯絡 Q Acoustics 或其在您所在地的指定分銷商，以確認正確的保養程序。請盡可能以原有包裝退回本產品，因運輸至維修中心的過程中所受損壞不屬於保養範圍。保養不會以任何方式影響您的合法權利。

可在以下網址登記，以將保養期延長至 2 年：

[www.qacoustics.co.uk/register](http://www.qacoustics.co.uk/register).

## 聯絡方式

### 總公司

Q Acoustics  
Woodside 2  
Dunmow Road  
Bishops Stortford  
Hertfordshire, UK  
CM23 5RG

### 知識庫

本手冊未涵蓋之其他額外資訊、支援問題及/或申請，請瀏覽我們的知識庫入口：[support.qacoustics.co.uk](http://support.qacoustics.co.uk)

### 服務資訊

[support@qacoustics.co.uk](mailto:support@qacoustics.co.uk)



**ACOUSTICS**

Q A C O U S T I C S . C O . U K

Our policy is one of continuous product improvement.  
We reserve the right to change the designs and specifications without notice.  
This document contains information that is subject to change without notice.