



SLEDGE STA-1200D

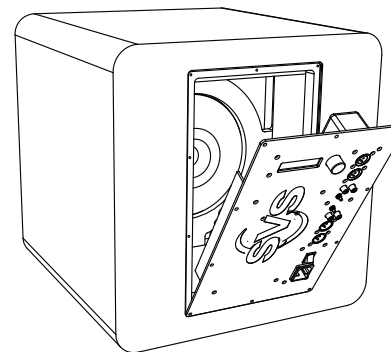
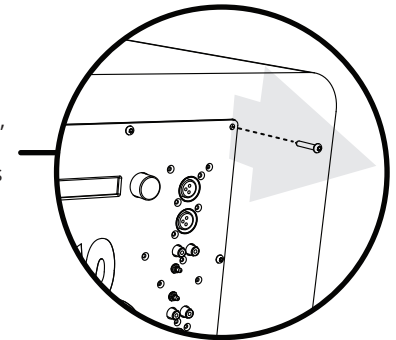
13-ULTRA UPGRADE INSTRUCTIONS

Thank you for upgrading to the Sledge STA-1200D. Your new amplifier delivers greater performance along with advanced control and calibration features only available via the SVS Subwoofer Control mobile app. Please follow all instructions carefully to ensure proper installation of your new amplifier.

- Parts and Tools needed:
- One #2 square drive bit (included).
 - Male spade output adapter for Sledge STA-1200D amplifier (included).
 - (10) replacement amplifier screws (included).
 - A hand-held or power bit driver.
 - A drive bit extender (optional for PC13-Ultra).

1. Turn off the main power switch. Disconnect the power cord and the input cable. Wait 30 minutes before continuing to the next step. This will ensure that all residual power has drained from the amplifier.

2. Remove the ten (10) #2 square drive outer perimeter wood screws from the amplifier plate with the provided bit. For the PC13-Ultra, a drive bit extender may be helpful to reach the top/bottom middle screws on the plate, as these are the most recessed relative to the curvature of the cylinder tubing.



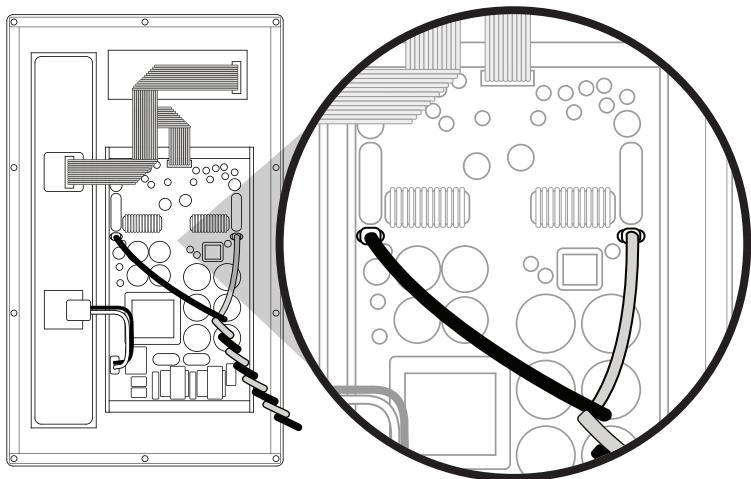
3. Partially remove the amplifier from the enclosure, taking care not to disconnect any wiring connections. If the amplifier seems stuck in the enclosure, please contact our SVS Sound Experts for advice on how to remove it.

Need Help?

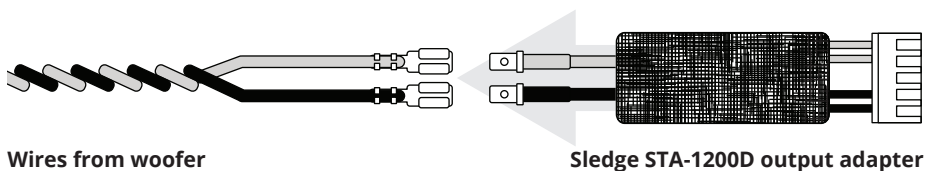
If you need assistance with any part of this process, SVS Sound Experts are standing by. They can also help with subwoofer placement, installation, calibration, AV receiver settings and any other AV-related questions you have. Just call, email or chat online with our SVS Sound Experts:

(877) 626-5623 | custservice@svsound.com | www.svsound.com

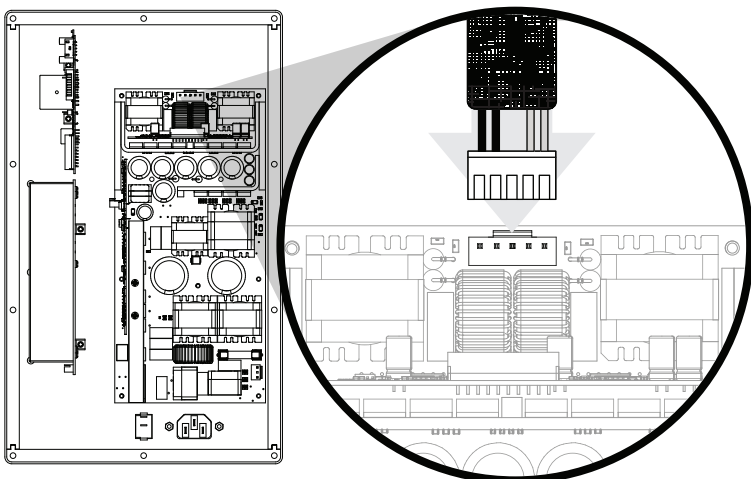
- Disconnect the two female spade woofer connection wires from the Sledge STA-1000D amplifier plate. Then remove the Sledge STA-1000D amplifier completely and set aside.



- Connect the female spades of the woofer wires to the male spades of the Sledge STA-1200D output adapter. Observe proper polarity (red positive, black negative). Make sure the female spade connections are tight and carefully crimp them as needed for a tight fit.



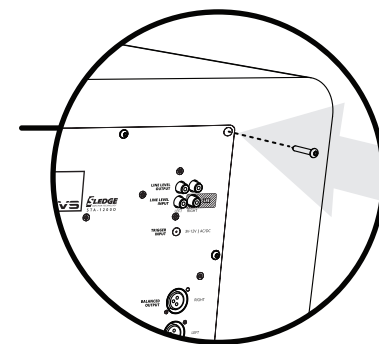
- While supporting the Sledge STA-1200D replacement amplifier partially in the subwoofer cabinet, connect the white plastic section of the included output adapter to the Sledge STA-1200D output board. Note, this is a one-way connection with a locking tab.



- Place the Sledge STA-1200D replacement amplifier fully into the cabinet. Press down gently and evenly around the perimeter of the amplifier to ensure it is fully seated into the cabinet opening.

- Carefully insert and tighten the ten (10) included #2 square drive wood screws. Hand-snug the screws in a cross-torque pattern (i.e., top-to-bottom, side-to-side, and opposite diagonal corners) to ensure uniform seating of the plate.

Do not over-tighten screws – a firm hand-snug is sufficient. If you are using a power bit driver with a slip clutch, use the #4 clutch setting.



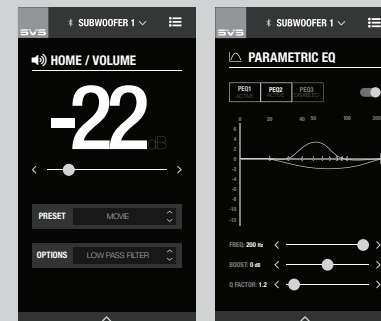
- Carefully reposition the subwoofer back to its original location, and reconnect the power cord and input cable.

- Turn on the main power switch.

- The Sledge STA-1200D replacement amp for the 13-Ultra subwoofers can only be controlled with the SVS Subwoofer Control mobile app. This app is available for free via the Apple® App® Store, Google Play™ Store and Amazon Appstore.

Download The App

Just search “SVS App” and follow the prompts to download to your mobile device. Once installed, there’s a helpful tutorial that will guide you through each option and provide common settings to simplify the process.



- If you’re using an AV processor with auto-setup, re-run that process. You may need a slightly different volume setting on the Sledge STA-1200D to achieve the same overall calibration level as you had with the Sledge STA-1000D.

For useful information about subwoofer placement, connections, DSP functions and more, an extended Owner’s Manual for the SVS 13-Ultra Subwoofers with Sledge STA-1200D amplifier upgrade can be found here: www.svsound.com/sta1200d-upgrade-manual