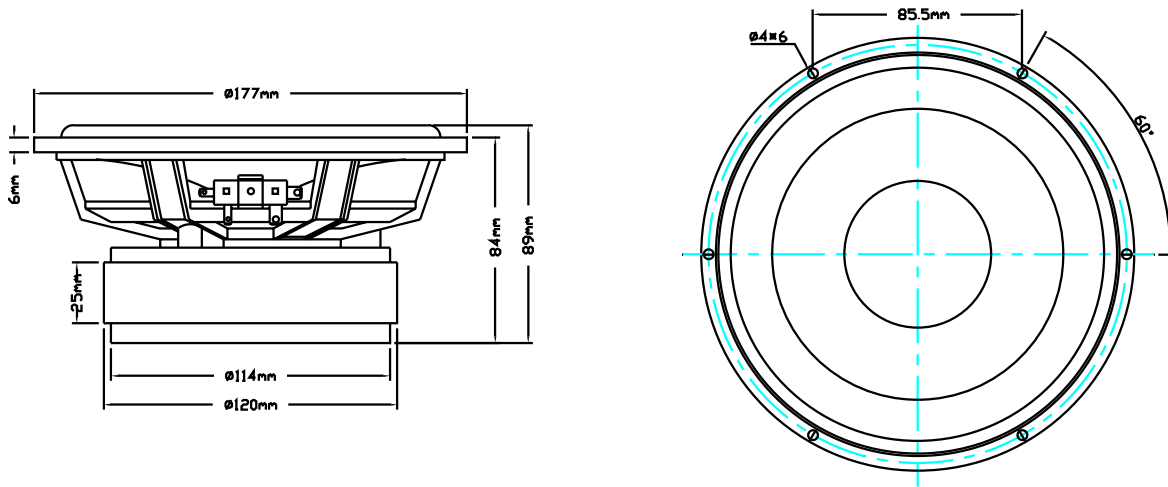


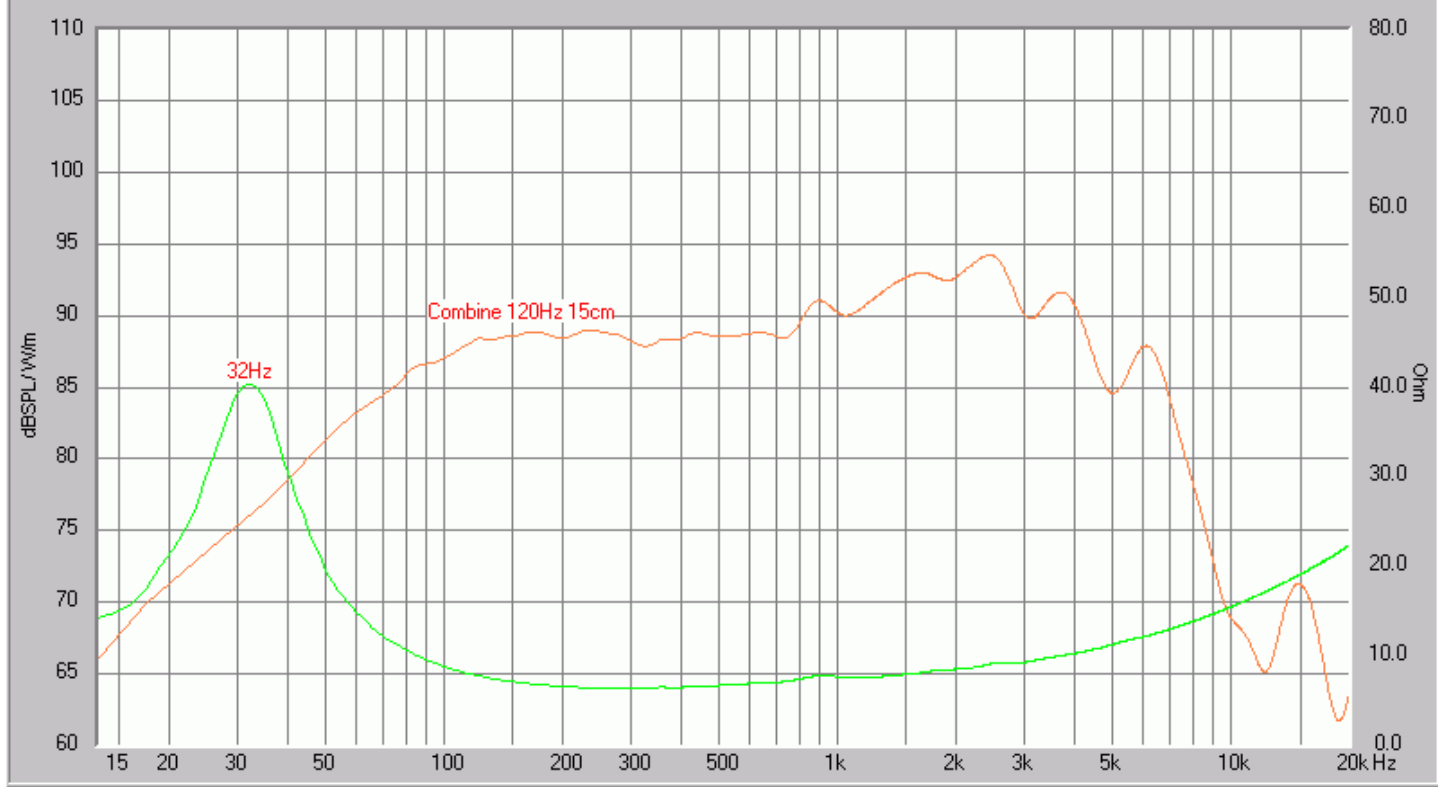
# 8948A

## WOOFER 7 Inch Driver



## Specifications

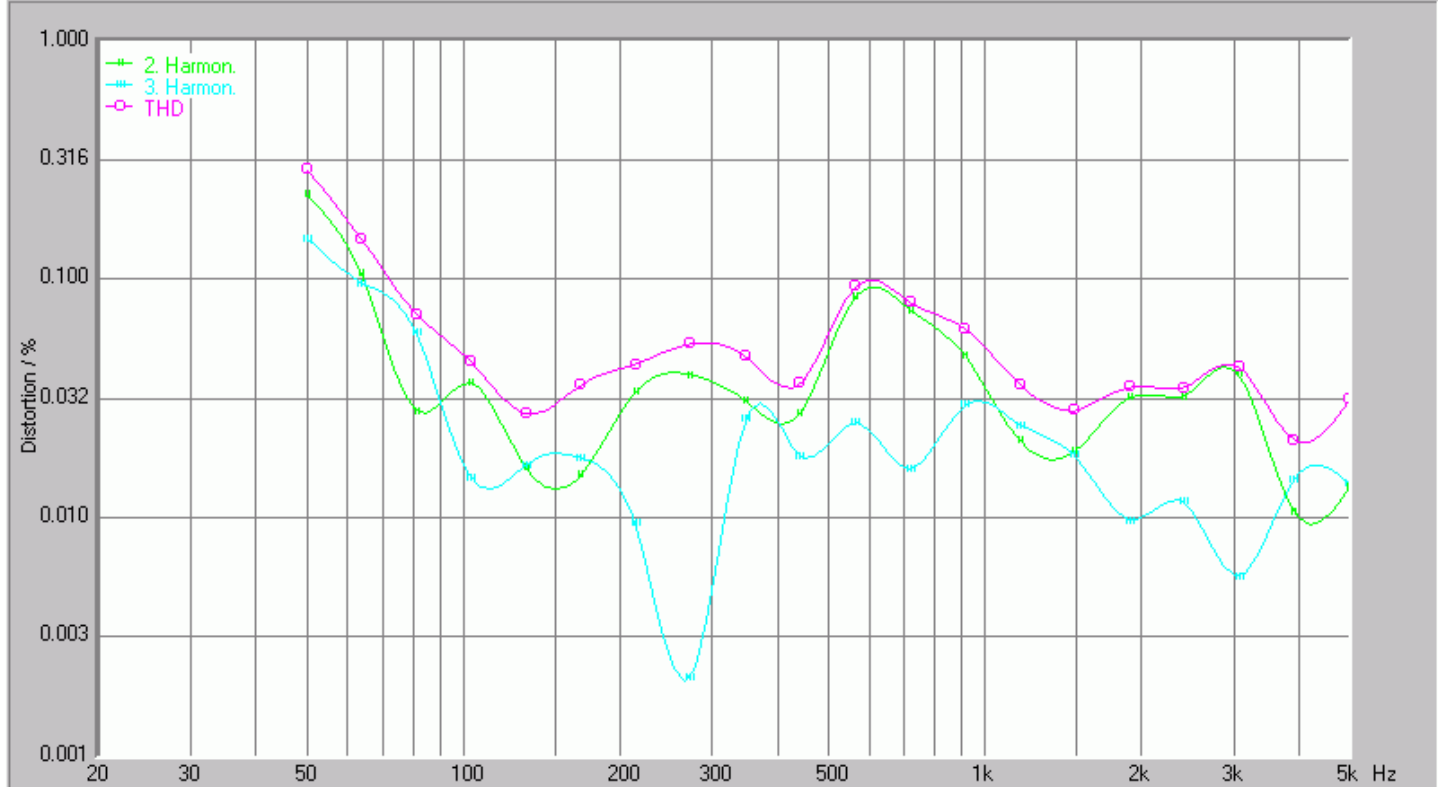
Nomial Impedance	8Ω ± 15% at 1.0V 1KHz
VC Nominal Dia	φ 42mm
Lowest Resonance Frequency	FO=31Hz ±5Hz at 1.0V
Effective Frequency Range	FO ~ 7.5KHz - 10dB 1M/1W
Output Sound Pressure Level	88dB/W/M ±3dB 300 , 400 , 500 , 600Hz AVE
Input	Rated Input 70W , Maximum Input 100W
Flux Density	11K ±10% GAUSS
Buzz & Rattle Test	8.0V
Polarity	POSITIVE - (LEFT) HAND TERMINAL
Baffle Opening	φ 138mm
Magnet Dimenion / Weight	120 x 60 x25(mm) / 1055g
Weight	2600g
Dropping Test	1150mm 75° ± 2°
Znom	8 Ω
Revc	5.6 Ω
Krm	12.954 mΩ
Kxm	14.698 mh
Erm	0.557
Exm	0.571
Sd	0.015 sqm
BL	8.1673 tm
Vas	43.6622 Litr
Cms	1366.549 um/n
Mms	19.3562 Gram
Mmd	18.2999 Gram
Fi	30.134 Hz
Fo	30.945 Hz
Qms	1.947
Qes	0.316
Qts	0.272
Pmx	70 Wrms
Hvc	18 mm
Hag	6 mm
Xmx	6 mm
Cmx	6 mm
Cmo	1
θVc	3.5714 C/W



Distance Speaker - Mic.: 50.0cm, dB SPL normalised on 1 Meter, Delay: 1.5ms

Test Signal: SWEEP

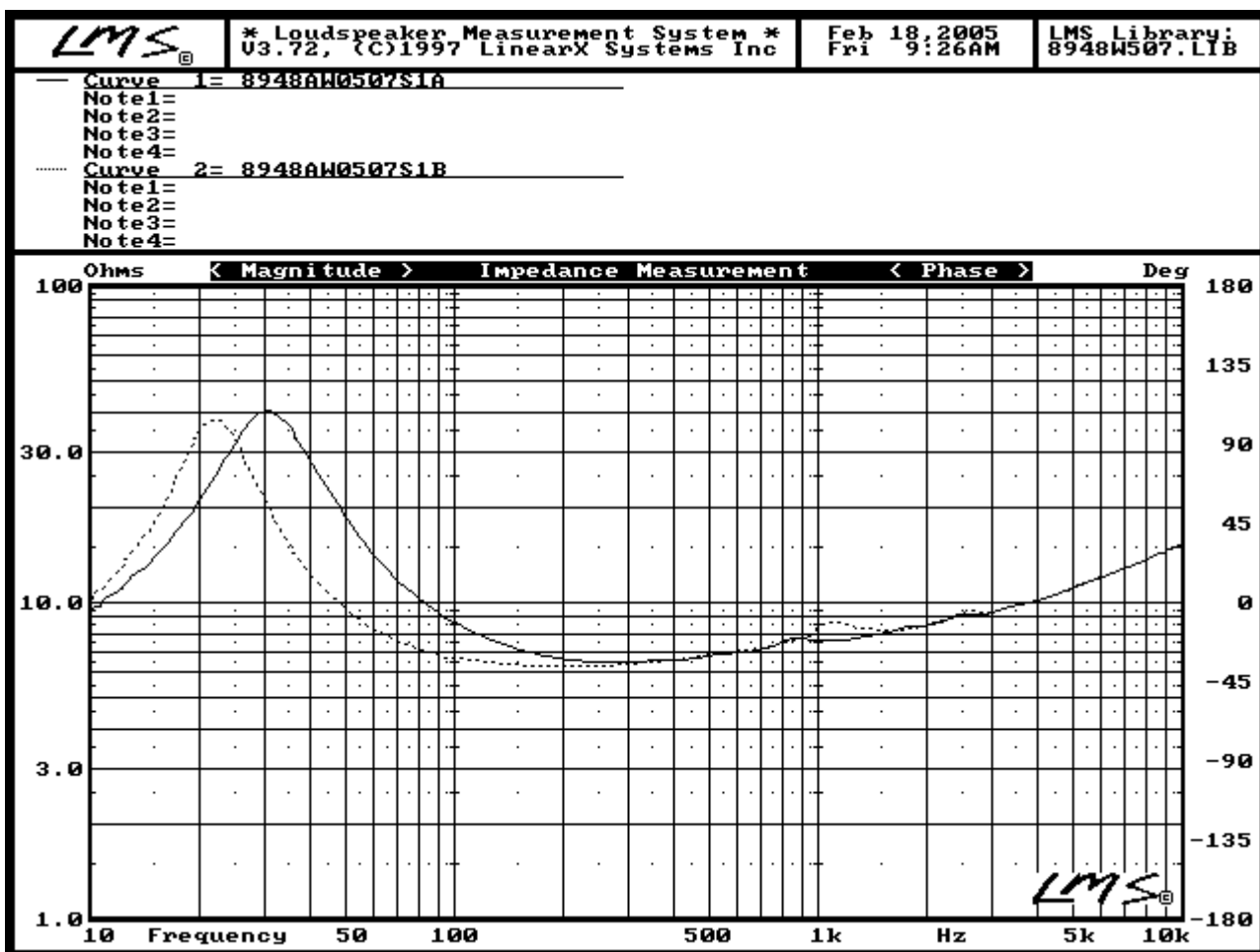
0.0V 0.9Pa 衰减 24 dB kHz 48 [DUT]: 8948A W0507S1~S2 [SN]: 0000 005/2/18 11:42:54 AM



FFT-len: 8192 Pt, Averages: 2

Test freq.: 20, 50-5000 Hz

0.0V 0.9Pa 衰减 23 dB kHz 6 [DUT]: 8948A W0507S1~S2 [SN]: 0000 005/2/18 11:44:43 AM




---

TSL Entry Num: 1 | SPLo= 88.01 dB | SPLi= 87.54 dB | SPLi= 89.09 dB |  
 TSL File Name:8948W507 | = 0.40 % | = 0.36 % | @ Eg= 2.83 V |  
 Name : 8948AW0507S1 Rem= 1.69 , Lem= 0.346 mH @ 1KHz  
 Model: Speaker- Woofer/ Midrange Rem= 8.97 , Lem= 0.096 mH @ 20KHz

---

Znom= 8.000	Sd= 0.0150 sqM	Fi= 30.134 Hz	Hvc= 18.0000 mM
Revc= 5.600	BL= 8.1673 TM	Fo= 30.945 Hz	Hag= 6.0000 mM
Krm= 12.954 m	Vas= 43.6622 Litr	Qms= 1.947	Xmx= 6.0000 mM
Kxm= 14.698 mH	Cms=1366.5490 uM/N	Qes= 0.316	Cmx= 6.0000 mM
Erm= 0.557	Mms= 19.3562 Gram	Qts= 0.272	Cmo= 1.0000
Exm= 0.571	Mmd= 18.2999 Gram	Pmx= 70.000 Wrms	Vc= 3.5714 C/W

---