

# 100 ICW 6

## Product Data Sheet



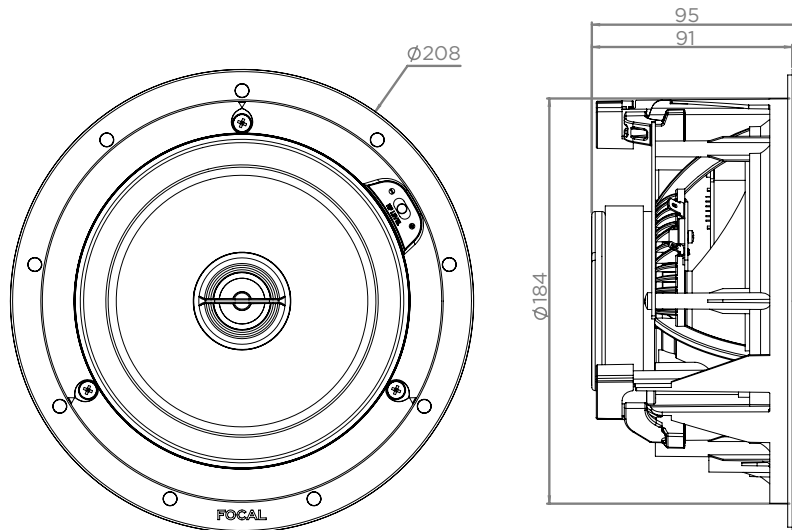
### Key Points

- Product designed and developed in France by Focal
- Compact product with shallow mounting depth
- For in-ceiling or in-wall loudspeakers (1 product, 2 uses)
- Possible to connect two loudspeakers to the same amplifier output
- Ready-to-paint grille

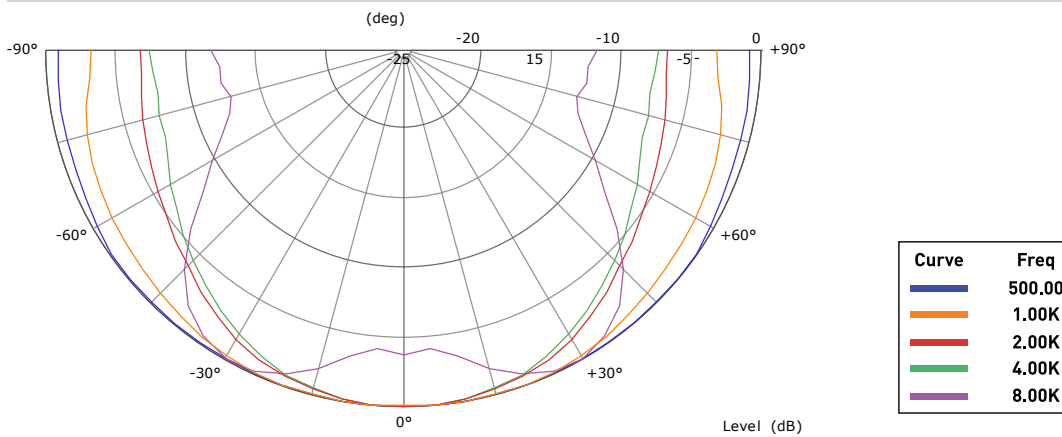
### Technical Specifications

Type	In-wall/In-ceiling - 2-way coaxial
Drivers	6 1/2" (16,5cm) Polyglass Midbass. 1" (25mm) Al inverted dome Tweeter
Sensitivity (2.83V/1m)	89dB
Frequency response (+/-3dB)	62Hz-23kHz
Low frequency point (-6dB)	50Hz
Nominal impedance	8Ω
Minimal impedance	7.3Ω
Recommended amplifier power	25-100W
External dimensions (Ø/Depth)	8 <sup>3/16"</sup> x3 <sup>47/64"</sup> (208x95mm)
Cut-Out diameter	7 <sup>1/4"</sup> (184mm)
Depth from wall	3 <sup>37/64"</sup> (91mm)
Net weight (with front grille)	3.3lbs (1.50kg)
Packing dimensions (WxDxH)	10 <sup>5/8"</sup> x10 <sup>5/8"</sup> x6 <sup>11/16"</sup> (270x270x170mm)
Total weight (with packaging)	4.96lbs (2.25kg)

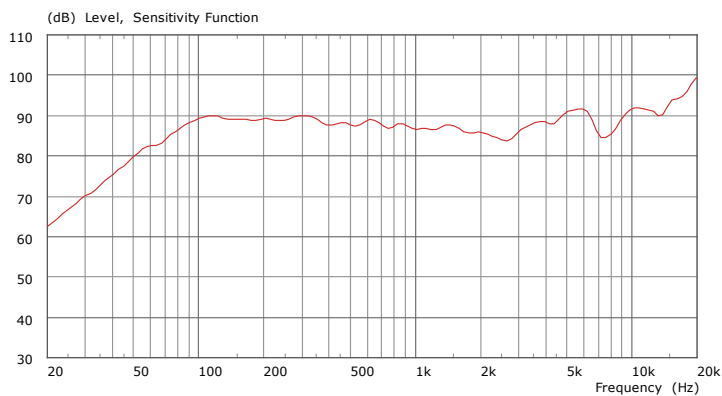
## Dimensions



## Measurements Directivity



## Frequency Response



## 100 ICW 6 Speaker level Calculation Table

Power/Distance	1 m	2 m	5 m
1 W (2,83 V)	89 dB	83 dB	75 dB
5 W (8,94 V)	96 dB	90 dB	82 dB
10 W (12,6 V)	99 dB	93 dB	85 dB
20 W (15,5 V)	102 dB	96 dB	88 dB

Summary	125 Hz	250 Hz	500 Hz	1kHz	2kHz	4kHz	8kHz
SPL (2.83 V/1 m) (dB)	90	89	89	88	87	89	87
Opening angle at -6dB	180°	180°	180°	180°	140°	120°	100°