



www.mksound.com

M&K Sound, the MK logo, Miller & Kreisel, the Miller & Kreisel logo and Tripole are trademarks of M&K Sound Aps. All trademarks are registered in some jurisdictions. All rights reserved.

The Choice of Professionals[®]

01 2018 - ver 2

The Choice of Professionals[®]

M&K Sound The Choice of Professionals®

The world's most eminent musicians, singers, producers, directors and engineers working in hundreds of film, music, broadcast and postproduction studios worldwide, choose M&K Sound loudspeakers.

Every day they make hundreds of artistic decisions based upon what they hear on their speakers. The trust they have in M&K Sound allows them to work quickly and effectively as they create the most breathtaking film soundtracks and music ever recorded.

**M&K Sound are used by
the world's finest filmmakers,
including:**



Content:

InWall Series	6-11
300 Series.	12-13
150 Series.	14-15
950 Series.	16-17
750 Series.	18-19
M Series	20-21
MP Series	22-23
PRO Series	24-25
X Series	26-27
V Series	28-29
Rear Panel Dimensions	30-31





"I Fell in Love With The Sound of MK Loudspeakers"

Mike Draghi, proprietor, The Mix Stage, Burbank, California



avforums

EDITOR'S CHOICE

MK MP300 S300T X12 Speaker Package

Best Home Cinema Speakers

2017



"I've mixed at least 10,000 songs on my M&K speakers"

Chris Lord-Alge, Mix LA, Los Angeles



"We value the transparency, clarity and presence that M&K Sound monitors bring to our work. Nobody does it better"

Eddie Simonsen, Mainstream, Copenhagen



"We'd listen to other speakers but we'd always end up back on the MK's."

Frank Morrone, independent re-recording mixer, Hollywood

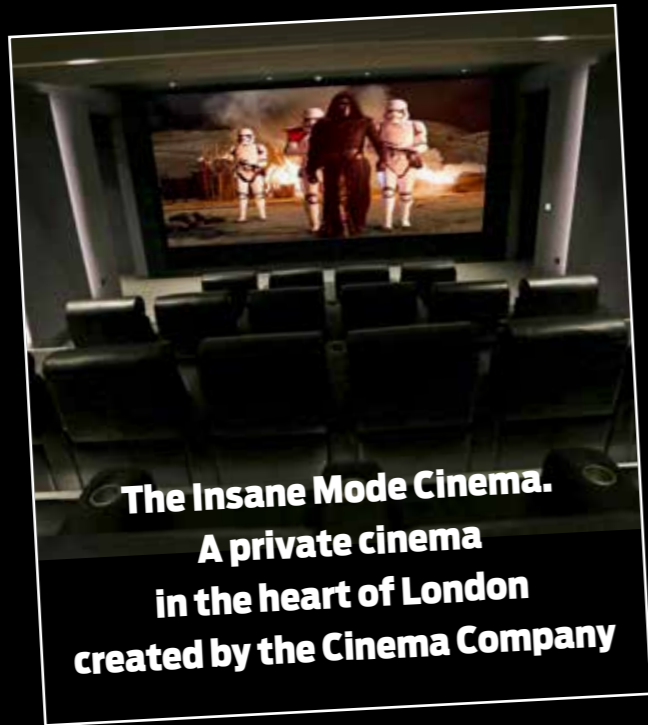


The 7.1 M&K Sound Home Theater Demo Room at THX, San Francisco

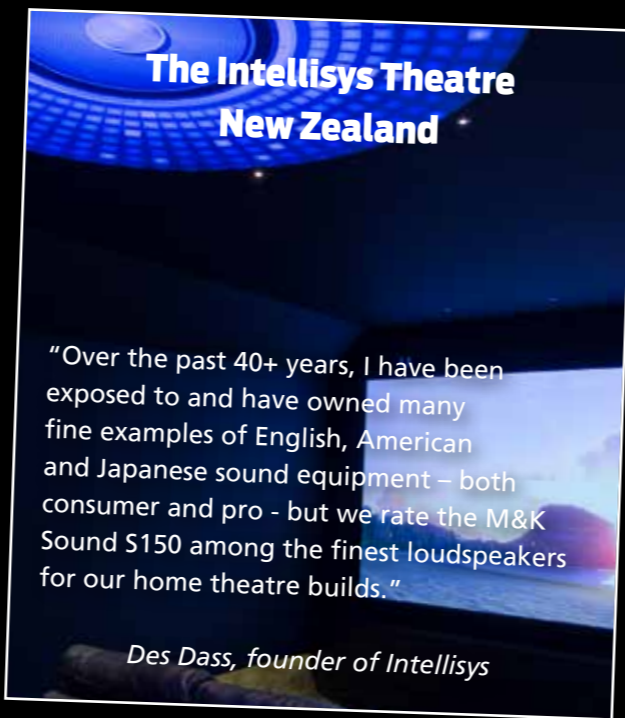
THX

"We are impressed with the performance of the new THX Ultra2 Certified M&K S300. It is evident that a lot of attention was paid to the design and component selection of this product and this effort shows in the system's ability to deliver a smooth response with high output and very low distortion."

THX Certification Testing Manager



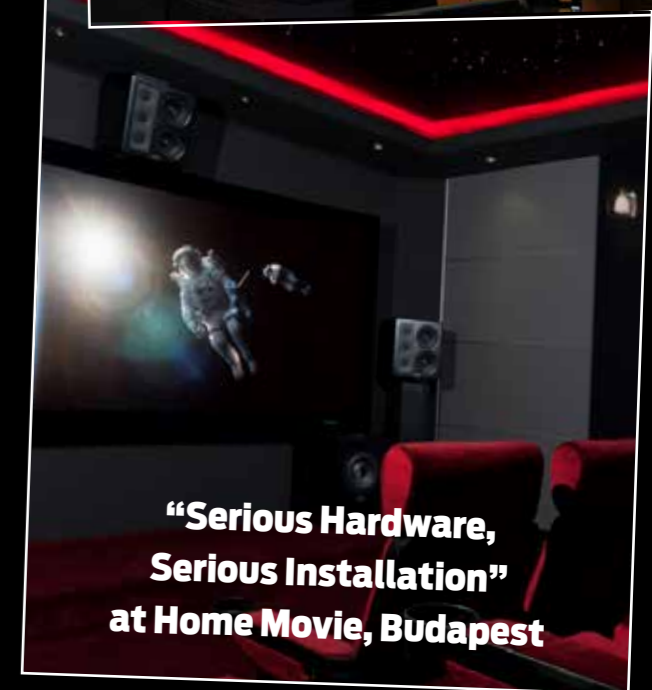
The Insane Mode Cinema. A private cinema in the heart of London created by the Cinema Company



The Intellisys Theatre New Zealand

"Over the past 40+ years, I have been exposed to and have owned many fine examples of English, American and Japanese sound equipment – both consumer and pro - but we rate the M&K Sound S150 among the finest loudspeakers for our home theatre builds."

Des Dass, founder of Intellisys



"Serious Hardware, Serious Installation" at Home Movie, Budapest

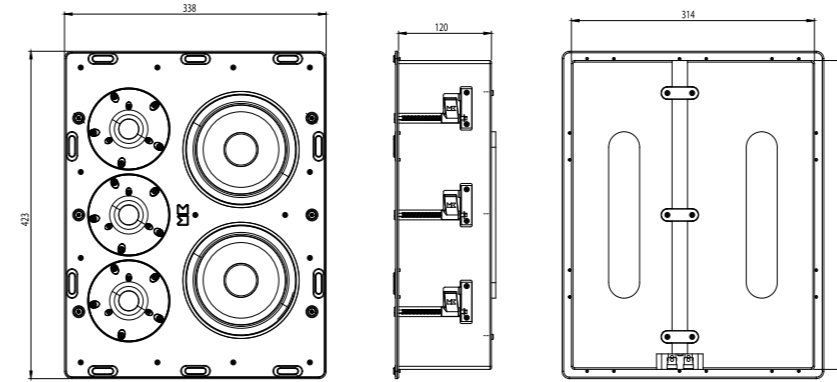


IW300 In-Wall Speaker

The IW300 features the same proprietary drivers and crossover as the famed Miller & Kresel S300 Series. The unique design allows critical audio professionals to hear exactly what's going on in the mix and listen for hours with no hint of fatigue. This is the ultimate choice for the music and cinema enthusiast seeking the finest In-Wall speakers available.



Impedance	4 Ohm
Recommended Amplifier Power	25 – 500W
Bass/Midrange	2 x 6.5" Glassfibre
High Frequency Driver	3 x 1" Soft fabric dome
Frequency Response	80 Hz – 22 kHz, ±3dB
Sensitivity	93 dB, 2.83V/1m
Grille Dimensions (HxW)	16.92 x 13.58", 430 x 345 mm
Baffle Dimensions (HxW)	16.65 x 13.30", 423 x 338 mm
Wall Cutout (HxW)	15.78 x 12.44", 401 x 316 mm
Mounting Depth	4.73", 120 mm
Weight	22.0 lbs / 10 kg
Grill Finish	White metal, paintable

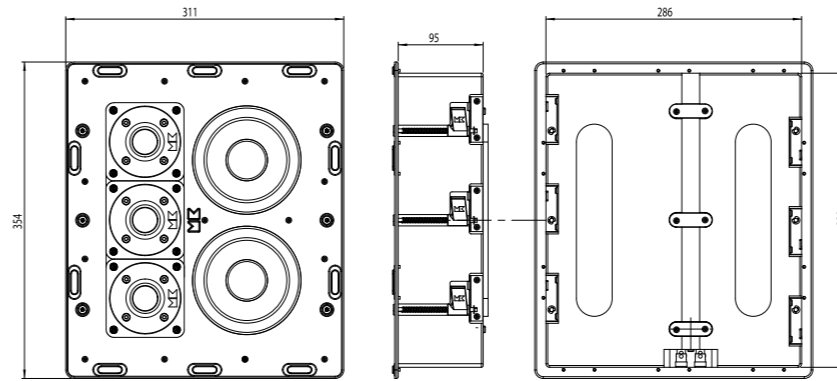


IW150 In-Wall Speaker

This award winning design is the In-Wall equivalent of M&K Sound's S150 Series used on a daily basis as the preferred monitoring tool in hundreds of professional film and music recording studios around the world and in thousands of serious home entertainment systems. Can there be any better choice than the speakers on which your favorite movies and music were actually created?



Impedance	4 Ohm
Recommended Amplifier Power	25 – 400W
Bass/Midrange	2 x 5.25" Polypropylene
High Frequency Driver	3 x 1" Soft fabric dome
Frequency Response	80 Hz – 20 kHz, ±3dB
Sensitivity	90 dB, 2.83V/1m
Grille Dimensions (HxW)	14.17 x 12.51", 360 x 318 mm
Baffle Dimensions (HxW)	13.93 x 12.24", 354 x 311 mm
Wall Cutout (HxW)	13.03 x 11.33", 331 x 288 mm
Mounting Depth	3.74", 95 mm
Weight	18.8 lbs / 8,5 kg
Grill Finish	White metal, paintable

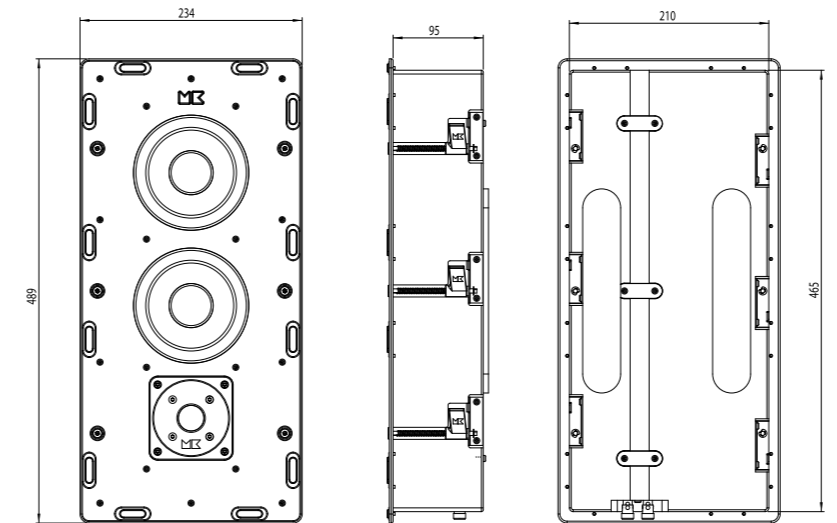


IW950 In-Wall Speaker

The IW950 incorporates proprietary M&K Sound drive units and technologies drawn from the classic 950 Series. Stable, smooth installation and the same sophisticated design philosophy developed for all M&K Sound speakers ensures even sound throughout any room with superior imaging, whether mounted In-Wall or In-Ceiling.



Impedance	4 Ohm
Recommended Amplifier Power	25 – 400W
Bass/Midrange	2 x 5.25" Polypropylene
High Frequency Driver	1" Soft fabric dome
Frequency Response	80 Hz – 20 kHz, ±3dB
Sensitivity	90 dB, 2.83V/1m
Grille Dimensions (HxW)	19.52 x 9.44", 496 x 240 mm
Baffle Dimensions (HxW)	19.25 x 9.21", 489 x 234 mm
Wall Cutout (HxW)	18.38 x 8.34", 467 x 212 mm
Mounting Depth	3.74", 95 mm
Weight	17.7lbs / 8 kg
Grill Finish	White metal, paintable



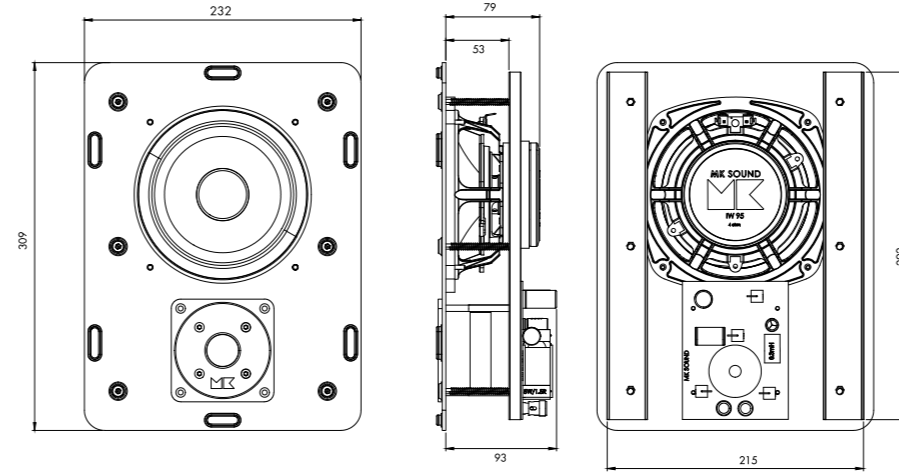
IW Series



IW95 In-Wall Speaker

As a direct descendent of M&K Sound's standard-setting professional studio monitors, the highly versatile IW95 is built on a thick rock-solid steel baffle and uses serious steel mounting brackets. The universal IW95 is suitable for any complex installation and deliver a seamless, holographic, three-dimensional listening experience.

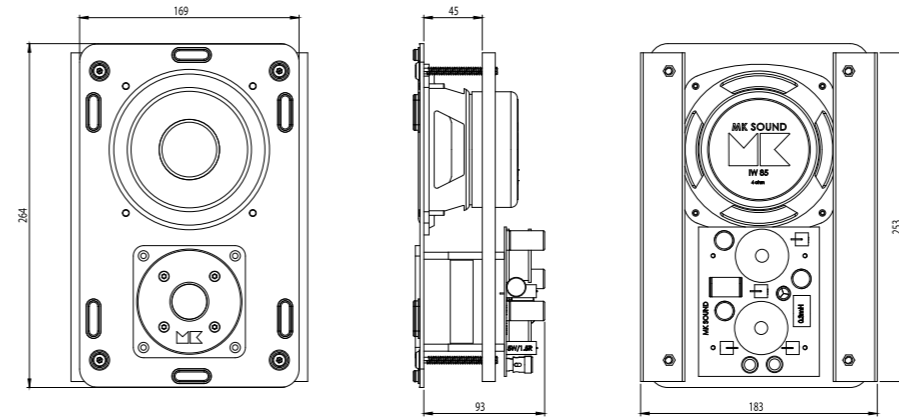
Impedance 4 Ohm
 Recommended Amplifier Power 25 – 300W
 Bass/Midrange 6.5" Polypropylene
 High Frequency Driver 1" Soft fabric dome
 Frequency Response 80 Hz – 20 kHz, ±3dB
 Sensitivity 91 dB, 2.83V/1m
 Grille Dimensions (HxW) 12.40 x 9.33", 315 x 237 mm
 Baffle Dimensions (HxW) 12,16 x 9.13", 309 x 232 mm
 Wall Cutout (HxW) 10.75 x 7.44", 273 x 189 mm
 Mounting Depth 3.67", 93 mm
 Weight 10.0 lbs / 4.6 kg
 Grill Finish White metal, paintable



IW85 In-Wall Speaker

Experience full-range, designer-friendly sound to rival many "audiophile" stand-alone speakers, in a compact package that integrates beautifully into walls or ceilings! The versatile IW85 is superb in two-channel or surround applications and can be combined with any M&K Sound speakers for a seamless sonic timber match.

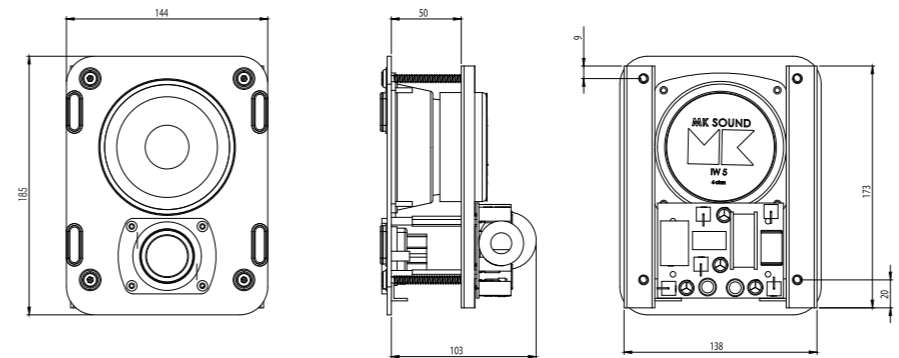
Impedance 4 Ohm
 Recommended Amplifier Power 25 – 200W
 Bass/Midrange 5.25" Polypropylene
 High Frequency Driver 1" Soft fabric dome
 Frequency Response 85 Hz – 20 kHz, ±3dB
 Sensitivity 88 dB, 2.83V/1m
 Grille Dimensions (HxW) 10.62 x 6.88", 270 x 175 mm
 Baffle Dimensions (HxW) 10.39 x 6.65", 264 x 169 mm
 Wall Cutout 9.4" x 6", 239 x 152 mm
 Mounting Depth 3.67", 93 mm
 Weight 9.0 lbs / 4.1 kg
 Grill Finish White metal, paintable



IW5 In-Wall Speaker

Designed with the same richly detailed sound as the M&K Sound M Series. The IW5 is supplied with a slim round grille making it the optimal choice as the In-Ceiling solution. The ultra compact IW5 is the invisible flush-mount speaker that delivers consistent sound quality across large spaces or multiple zones.

Impedance 4 Ohm
 Recommended Amplifier Power 25 – 125W
 Bass/Midrange 4" Polymer coated texture taper
 High Frequency Driver 1" Soft fabric dome
 Frequency Response 100 Hz – 20 kHz, ±3dB
 Sensitivity 85 dB, 2.83V/1m
 Grille Dimensions, round (Ø) 8.81", 224 mm
 Baffle Dimensions diagonal 8.66" / 220 mm
 Baffle Dimensions (HxW) 7.28 x 5.66", 185 x 144 mm
 Wall Cutout (HxW) 6.45 x 4.88", 164 x 124 mm
 Mounting Depth 4.05", 103 mm
 Weight 5.3 lbs / 2.4 kg
 Grill Finish White metal, paintable



IW Series



IW28S In-Wall Subwoofer

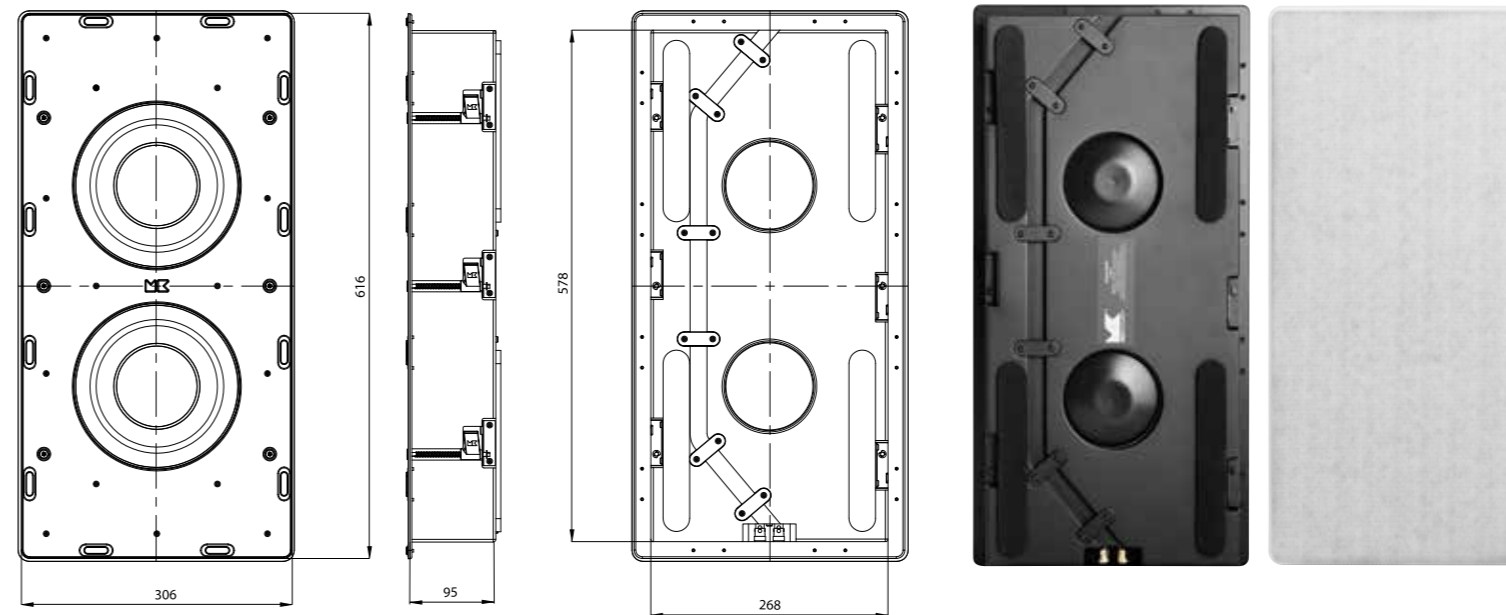
More than four decades of experience and insight have been applied to the design of this truly invisible subwoofer, based on high-performance 8" woofers specially developed for the M&K Sound V Series subwoofers and ingeniously adapted to meet the extreme demands of shallow, flush-mount installation while delivering the quantity and quality of deep bass that consumers and professionals expect from M&K Sound.

The specially tuned, ultra-fast, mass-loaded dual drivers employ aluminum shorting rings for minimal voice coil distortion at long excursion. Highly rigid paper pulp cones with high inner damping ensure stability at extreme levels and low resonance.

The ultra-linear solid ferrite magnet system provides effective dissipation of heat from the voice coil to prevent power compression from limiting the acoustic output of the system. The drivers are installed in full contact with the front baffle and the rear of the box for ideal mechanical stability to minimize driver resonances that can occur due to the limited volume of an In-Wall enclosure.



Impedance	4 Ohm
Bass Drivers	2 x 8" paper pulp
Frequency Response	28 Hz – 200 Hz, ± 3dB
Sensitivity (drive signal 100mVolt VA500 amp)	88 dB/1m
Grille Dimensions (HxW)	24.48 x 12.44", 622 x 312 mm
Baffle Dimensions (HxW)	24.25 x 12.04", 616 x 306 mm
Wall Cutout (HxW)	22.84 x 10.62", 580 x 270 mm
Mounting Depth	3.74", 95 mm
Weight	24.2 lbs / 11 kg
Grill Finish	White metal, paintable



VA500 Subwoofer Amplifier

This dedicated Class D amplifier with high efficiency, cool running and low standby voltage consumption is a further development of the amplifiers built into the popular M&K Sound V Series subwoofers. The Class D switch mode power module is designed with effective power reserves to effortlessly deliver copious amounts of clean power to the IW28S In-Wall sub for extraordinary, uncompromising handling of demanding deep bass transients.

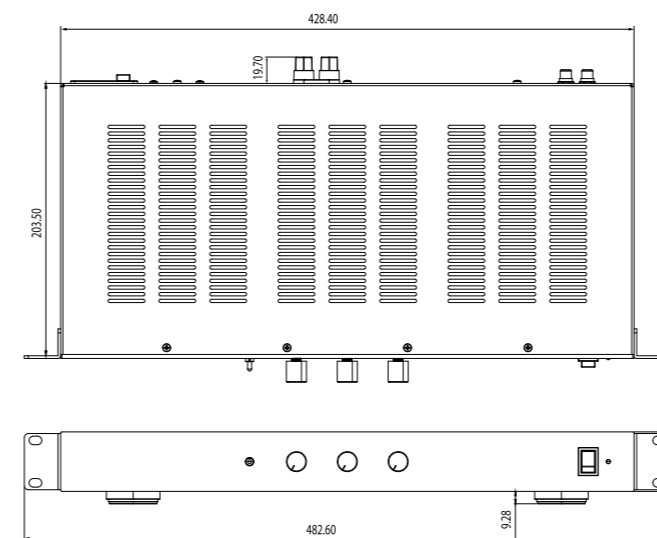
A precisely calibrated dynamic headroom control circuit constantly monitors the signal to prevent audible clipping, while maintaining the full dynamic range of modern digital audio formats.

Stereo inputs and line-level passthrough connections provide valuable flexibility for system building and future expansion. For perfect sonic integration with any satellite system, VA500 incorporates adjustable gain control including a fixed level position for reference set-up, continuously variable phase (0-180 degrees), variable crossover frequency (60Hz - 200Hz) and three-position room adaptation. The amp is one standard rack unit high and is supplied with removable handles for mounting in a 19" pro rack and feet for stand-alone placement.

Continuous Output Power	500W/4 Ohm, Class D
Peak Output Power	800W/4 Ohm
System Preamp	Analog
Line-Level Connections	Phono In, Phono Passthrough Out
Speaker Connections	5-way binding posts
Controls:	Volume, Phase, Crossover
EQ Switch	3-Position Room Adaptation:

1. For one sub placed away from corners
2. For one sub placed near a corner
3. For one or two subs placed in corner(s)

Input Voltage	100-240 VAC (switchable), Auto On/Off
Dimensions (WxHxD)	16.88 x 1.74 x 8.81"
Dimensions (WxHxD)	429 x 44,4 x 224 mm
Dimensions (WxHxD) Rack size	19 x 1.74 x 8.81"
Dimensions (WxHxD) Rack size	483 x 44,4 x 224 mm
Weight	8.8 lbs / 4 kg



V Series



Miller & Kreisel® S300 Speaker THX ULTRA 2

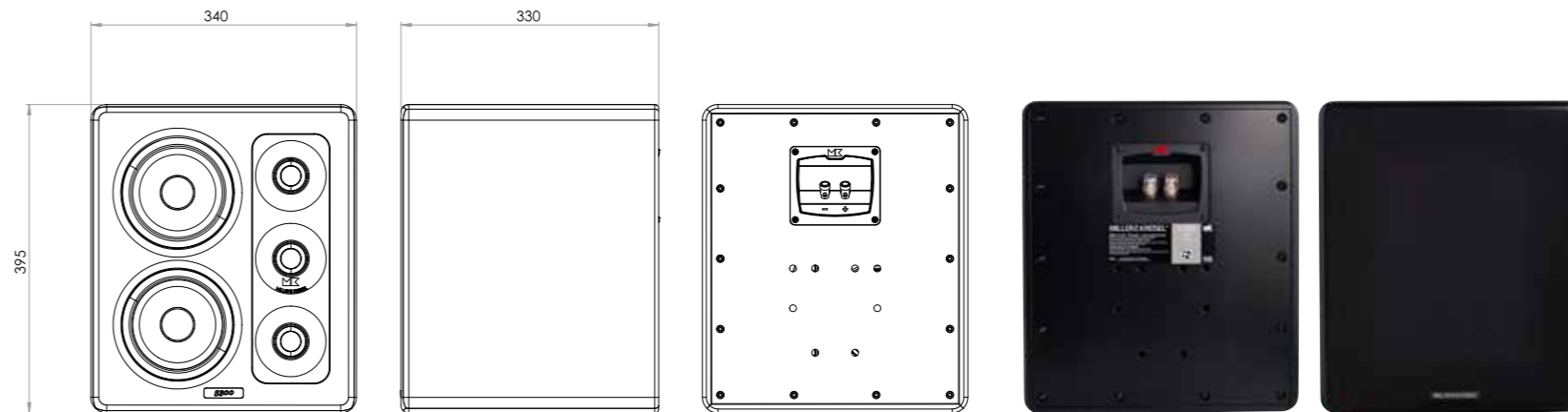
Destined to become the reference home entertainment speaker system, the S300 offers transparency and neutrality that surpasses far larger, more costly systems. More compact than any speaker capable of rendering such clarity and pinpoint detail, the ultra-smooth S300 ensures unsurpassed, effortless realism even in very large rooms.

While a dedicated left/right mirror-image pair provides optimal imaging for two-channel sources, the use of an identical third speaker for center channel duties guarantees a seamless, consistent sound field in all dimensions.

The S300 is the ultimate demonstration of our dedication to innovation and quality.



Impedance:4 ohm
 Recommended Amplifier Power: 25-500W
 Bass-Midrange: 2 x 6.5" Glassfibre
 High Frequency Drivers: 3 x 1" Soft fabric dome
 Frequency-response: 60 Hz – 22KHz +/- 3dB
 Sensitivity: 93 dB, 2.83V1m
 Dimensions HxWxD: 15,5x13,4x13,0" / 395 x 340 x 330 mm
 Weight 40.0 lbs / 18.2 kg
 Finish: Black satin



Miller & Kreisel® S300T Tripole® Speaker THX ULTRA 2

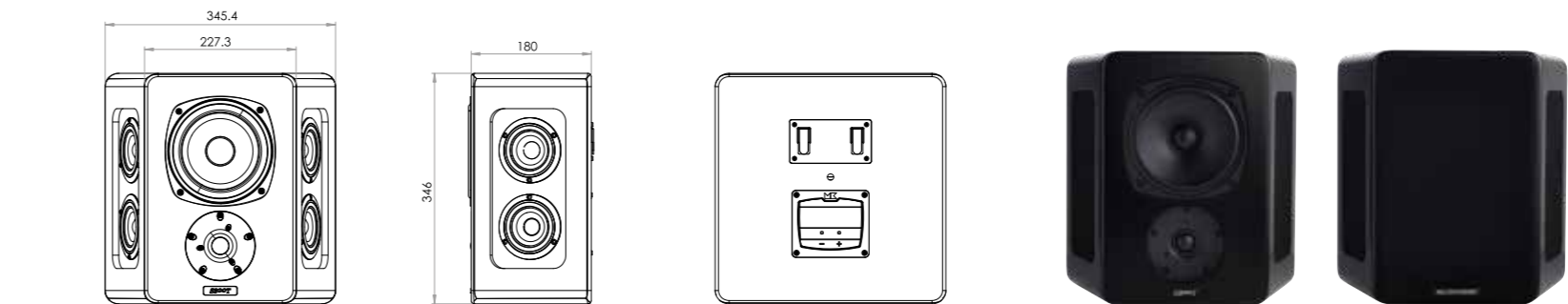
M&K Sound invented the Tripole® speaker configuration to do what no conventional surround loudspeaker can do. The installation of side and/or rear mounted S300T's enhances the solidity and pin-point placement of rear channel events such as fly-overs, voices, effects, music etc., as well as the realism of the ambient soundfield.

The S300T Tripole® with integral wall-mount bracket, employs the same front drivers and crossover technology as the S300, for a perfect acoustic match.

Independent, isolated side chambers house two 4" drivers per side for optimal surround coverage that rivals the huge array of speakers required in movie theaters.



Impedance:4 ohm
 Recommended Amplifier Power: 25-400W
 Bass-Midrange: 1 x 6.5" Glassfibre
 High Frequency Driver: 1" Soft fabric dome
 Side drivers: 4 x 3.5" Glassfibre
 Frequency-response: 80 Hz – 22KHz +/- 3dB
 Sensitivity: 89 dB, 2.83V1m
 Dimensions rear HxWxD: 13,5 x 13,5 x 7" / 346 x 345 x 180mm
 Dimensions front HxWxD: 13,5 x 8,9 x 7" / 345 x 227 x 180mm
 Weight 26.0 lbs / 12 kg
 Finish: Black satin / White satin



Miller & Kreisel® MP300 On-Wall Speaker

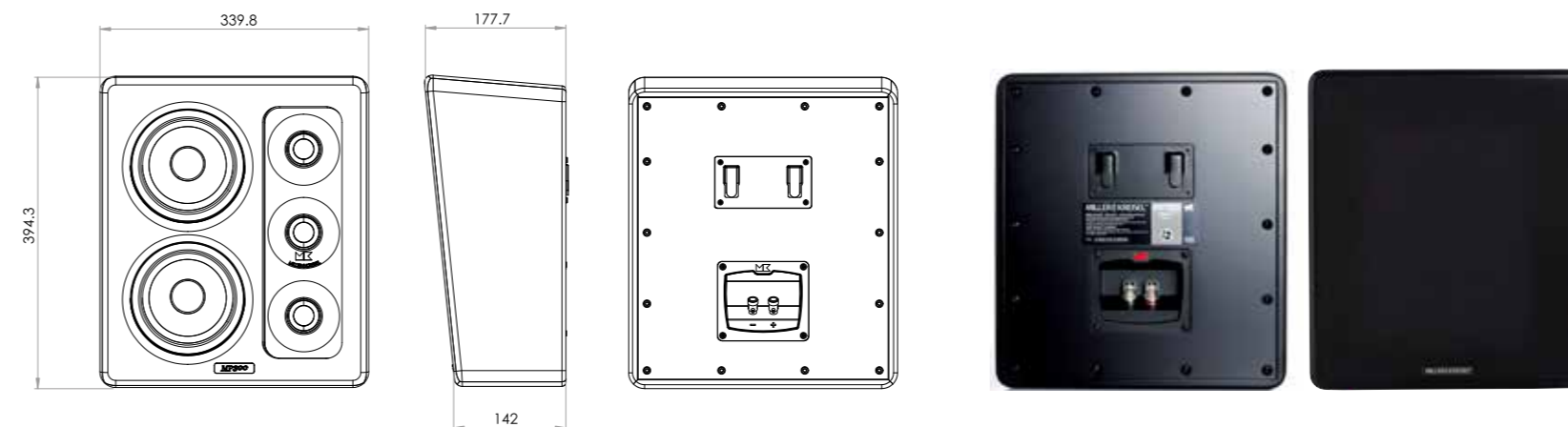
Recognizing a growing demand for a high level of audio performance from an unobtrusive, decorator-friendly enclosure, M&K Sound offers a shallower, wall-mount version of the S300.

By significantly reducing the cabinet depth and revising the overall dimensions, M&K Sound has created a discrete on-wall monitor that retains the audio quality of a full-size compact loudspeaker. By optimizing crossover and utilizing the effect of wall mounting the MP300 is a true member of the S300 family.

The modest dimensions and extended placement options of the MP300 will appeal to the style-conscious music/movie lover.



Impedance:4 ohm
 Recommended Amplifier Power: 25-500W
 Bass-Midrange: 2 x 6.5" Glassfibre
 High Frequency Drivers: 3 x 1" Soft fabric dome
 Frequency-response: 80 Hz – 22KHz +/- 3dB
 Sensitivity: 92 dB, 2.83V1m
 Dimensions top HxWxD: 15,5 x 13,4 x 6,3" / 394 x 339 x 177 mm
 Dimensions bottom HxWxD: 15,5 x 13,4 x 5,6" / 394 x 339 x 142 mm
 Baffle Angel 5°
 Weight 26.0 lbs / 12 kg
 Finish: Black satin / White satin



300 Series

S300



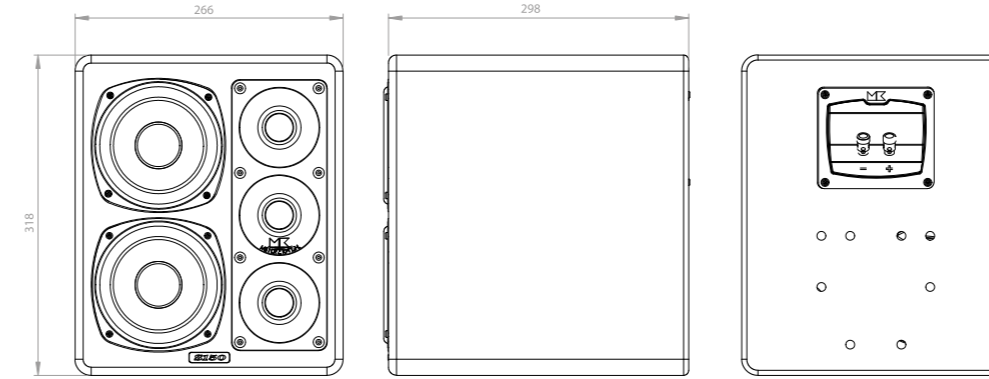
S150 Speaker CERTIFIED BY THX DESIGNED IN DENMARK New Edition

The legendary S150 is the culmination of more than 40 years of loudspeaker design and acoustic solution for any critical audio and video recordings.

What this updated version of the legendary studio monitor does in the conveyance of exactly what is there in the recorded source, no more and no less, is difficult to formulate in just a few words. Essentially, it does pretty much nothing, except open up a wide, clean, clear window on every aspect of recorded sound, allowing you to shift your personal focus as you choose between specific details, instruments or voices, while never losing sight of the totality of the overall musical experience.



Impedance: 4 ohms
Recommended Amplifier Power: 25-500W
Bass-Midrange: 2 x 5,25" Fiberglass
High Frequency Array: 3 x 1.1" Soft Fabric Dome
Frequency-repsonse: 75 Hz – 20KHz +/- 3dB
Sensitivity: 92 dB, 2.83V1m
HxWxD: 31,8 x 26,6 x 30,8 cm / 12,5 x 10,4 x 12,2"
Weight 11.5 kg / 25.4 lbs
Finish: Black Satin



S150T Tripole® Speaker CERTIFIED BY THX DESIGNED IN DENMARK New Edition

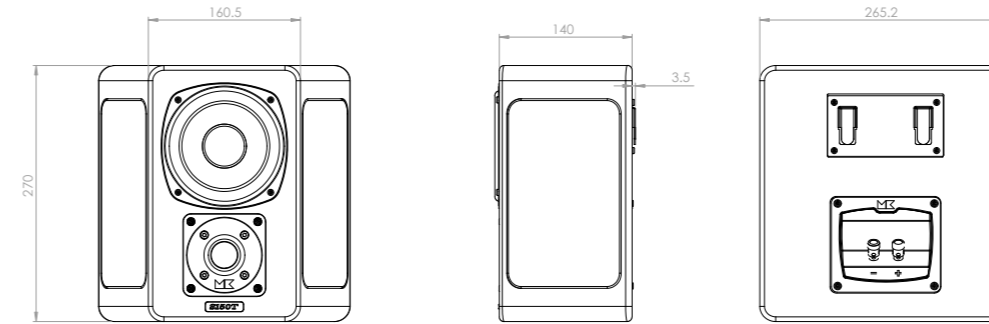
Side- or rear-mounted speakers in a multi-channel audio system pose a radically different set of performance challenges relative to conventional stereo systems, because surround speakers are typically positioned much closer to the listener and deliver sound to the ears from very different angles.

The proprietary M&K Sound Tripole® configuration, essentially two speakers mounted in a single cabinet, is the first and only technology to effectively address these major issues to deliver both image specificity and an enveloping surround field, without compromise.



The M&K Sound S150T Tripole® THX combines both front and side mounted drivers to direct the surround image both indirectly and directly into the listening area.

Impedance: 4 ohms
Recommended Amplifier Power: 5-200W
Bass-Midrange: 1 x 5,25" Fiberglass
High Frequency Driver: 1.1" Soft Fabric Dome
Side drivers: 2 x 3.5" Paper Pulp
Frequency-repsonse: 80 Hz – 20KHz +/- 3dB
Sensitivity: 86 dB, 2.83V1m
Back HxWxD: 27 x 26.5 x 15 cm / 10.6 x 10.4 x 5.9"
Front HxWxD: 27 x 16.5 x 15 cm / 10.6 x 6.4 x 5.9"
Weight 4.8 kg / 10,6 lbs
Finish: Black Satin



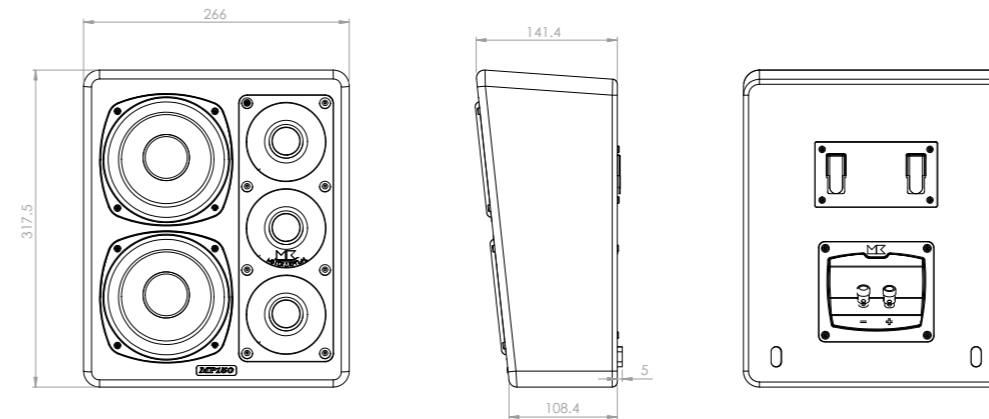
MP150II On-Wall Speaker

For environments where stand-mounting or desktop placement is not an option, M&K Sound offers MP150II, an On-Wall configuration of our state of the art S150II THX Ultra2.

The new MP150II now features the ultra-low compression tweeter as used in the M&K Professional Monitors as well as in the legendary S150II. With the "Professional" tweeter aboard the MP150II offers exactly identical components, drivers and technologies in order to deliver the same uncompromising sound quality heard in recording studios and post-production facilities worldwide.



Impedance: 4 ohms
Recommended Amplifier Power: 25-400W
Bass-Midrange: 2 x 5.25" Fiberglass
High Frequency Array: 3 x 1" Soft Fabric Dome
Frequency-repsonse: 75 Hz–20KHz +/- 3dB
Sensitivity: 92 dB, 2.83V1m
Back HxWxD: 30 x 26.6 x 14.1 cm / 11.8 x 10.4 x 5.5"
Front HxWxD: 31.7 x 26.6 x 10.8 cm / 12.4 x 10.4 x 4.2"
Weight 8.3 Kg / 18.3 lbs
Finish: Black Satin / White Satin



150 Series



LCR950 Speaker **THX** SELECT2

The LCR950 THX Select2 Series takes full advantages of M&K's legacy and are designed featuring exact same driver and x-over components as used in the active professional studio monitors and in the S150 Series.

The dual bass-midrange drivers specially designed for extended dynamic range and low compression at moderate to high listening level and combined with our 1" waveguide tweeter the LCR950 deliver the superior performance known from any M&K speaker and provides perfect imaging in both "on" and "off axis" listening positions.

Impedance	4 ohms
Recommended Amplifier Power	25-400 watt
Bass-Midrange	2 x 5.25" Polypropylene
High Frequency driver	1" Soft fabric dome
Frequency response	80-20Khz +/-3dB
Sensitivity	90 dB, 2,83V1m
Dimensions HxWxD	15,9 x 6,8 x 7,4" / 406 x 175 x 188 mm
Weight	15,2lbs / 6,9 kg
Finish	.Black satin



SUR95T Tripole® Speaker **THX** SELECT2

The Timbre matched SUR95T Tripole® are perfectly matched to the LCR950 Series. Featured with 2 side drivers to operate in dipole fashion, the side drivers emit diffuse sound throughout the room, and combined with the front mounted 1" professional wave guide dome tweeter and 5.25" woofer, the Tripole® design provides even distribution at the listening area with pin point accuracy, and an enveloping sound field.

Impedance	4 ohms
Recommended Amplifier Power	25-200 watt
Bass-Midrange	5.25" Polypropylene
High Frequency driver	1" Soft fabric dome
Side driver	2 x 3,5" Coated texture taper
Frequency response	80-20Khz
Sensitivity	85 dB, 2,83V1m
Dimensions HxWxD	10,1 x 6,8 x 7,4" / 257 x 175 x 188 mm
Weight	10,25 lbs / 4,7 kg
Finish	.Black satin



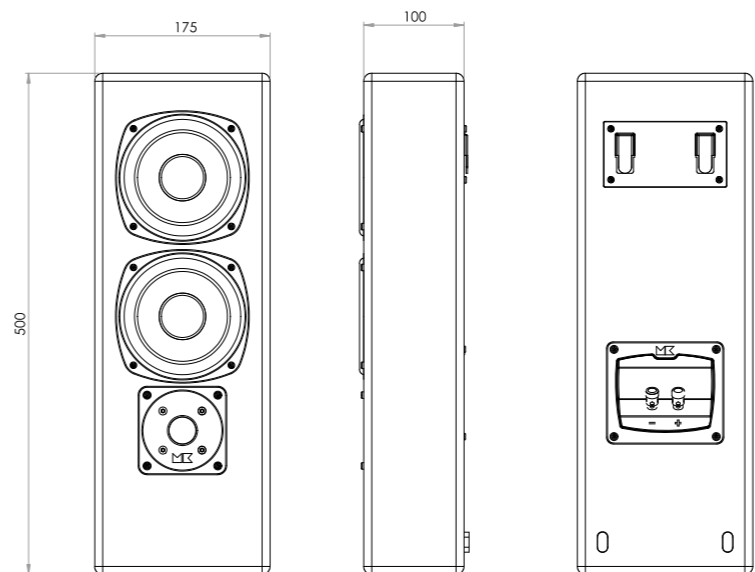
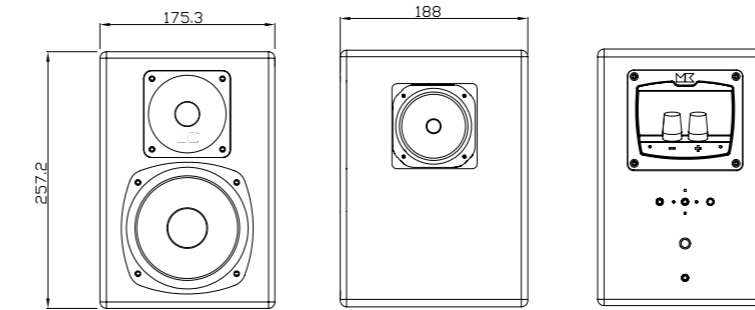
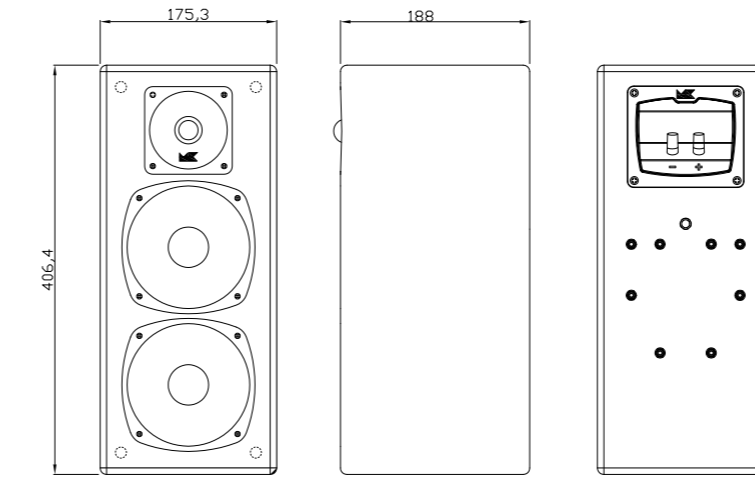
MP950 On-Wall Speaker

The Timbre matched shallow On-Wall speaker MP950 are a full member of the 950 Series.

MP950 are featured with same drivers as the LCR950 speaker, but are especially designed for On-Wall applications, having the crossover network to compensate for wall boundary effect.

MP950 has integrated bracket for vertical wall mount.

Impedance	4 ohms
Recommended Amplifier Power	25-200 watt
Bass-Midrange	2 x 5.25" Polypropylene
High Frequency driver	1" Soft fabric dome
Frequency response	80-20Khz +/- 3dB
Sensitivity	90 dB, 2,83V1m
Dimensions HxWxD	19,6 x 6,8 x 3,9" / 500 x 175 x 100 mm
Weight	14 lbs / 6,6 kg
Finish	.Black satin / White satin



950 Series



LCR750 Speaker **THX** SELECT

The classic LCR750 system featured with dual bass-midrange drivers specially designed for extended dynamic range and low compression at moderate to high listening levels.

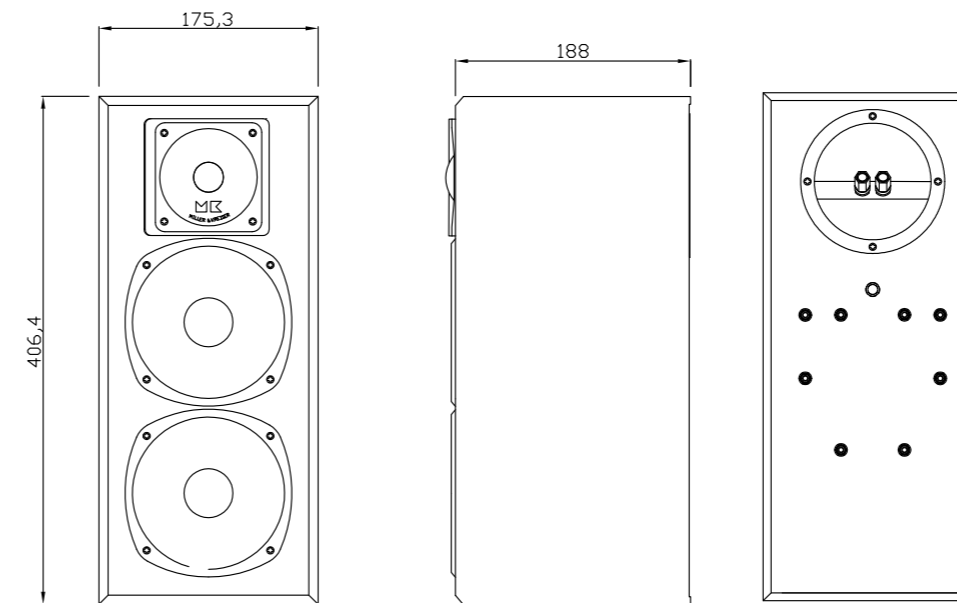
Matched with a 1" waveguide design dome tweeter, makes the 750 system appear with smooth response and perfect imaging in both "on" and "off axis" listening positions.



LCR750C Speaker **THX** SELECT

Identical with the above, but designed as a center speaker.

Impedance	4 ohms
Recommended Amplifier Power	25-400 watt
Bass-Midrange	2 x 5.25" Polypropylene
High Frequency driver	1" Soft fabric dome
Frequency response	80-20Khz +/-3dB
Sensitivity	90 dB, 2,83V1m
Dimensions HxWxD	15,9 x 6,8 x 7,4" / 406 x 175 x 188 mm
Weight	15,2 lbs / 6,9 kg
Finish	Black Vinyl

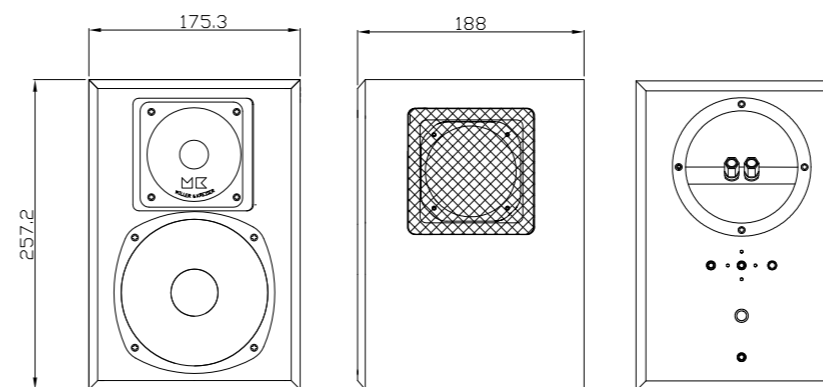


SUR55T Tripole® Speaker **THX** SELECT

The SUR55T is the most compact THX Tripole® solution we offer and is timbre matched to any of the 750 Series speakers.

Featuring two 3" mid-tweeters on each side of the speaker oriented in dipole fashion, combined with the front-mounted 1" soft-dome tweeter and a 5.25" midwoofer direct radiating, the SUR55T provides even distribution of sound throughout the listening area with pinpoint accuracy and an enveloping soundfield.

Impedance	4 ohms
Recommended Amplifier Power	25-200 watt
Bass-Midrange	5.25" Polypropylene
High Frequency driver	1" Soft fabric dome
Side driver	2 x 3,5" Coated texture taper
Frequency response	80-20Khz
Sensitivity	85 dB, 2,83V1m
Dimensions HxWxD	10,1 x 6,8 x 7,4" / 257 x 175 x 188 mm
Weight	10,25 lbs / 4,7 kg
Finish	Black Vinyl



750 Series



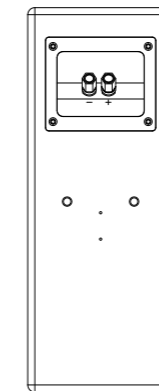
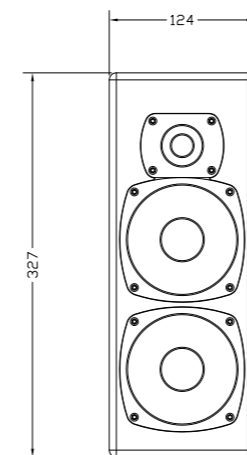
M7 Speaker **THX** COMPACT SYSTEM

With features like a high performance silk-dome tweeter, smooth, double 4" bass/midrange drivers, magnetic shielding and full-bodied sound with wide dynamic range reminiscent of the finest M&K Sound professional studio monitors, the M7 earns the right to bear the M&K Sound name.

The compact cabinet and distinctive metal mesh grille makes the M7 a stylish addition to any living space for critical or informal listening.

The delicate sonic transparency and tremendous dynamic capabilities of these speakers deliver a rare combination of minimal coloration and effortless handling of voices, percussive effects and musical instruments with life-like impact.

Impedance: 4 ohm
Recommended Amplifier Power: 25-200W
Bass-Midrange: 2 x 4" Coated texture taper
High Frequency Drivers: 1" Neodymium Soft fabric dome
Frequency-response: 80 – 20KHz +/- 3dB
Sensitivity: 88dB, 2,83V1m
Dimensions HxWxD: 12.8 x 4.8 x 5,5" / 327 x 124 x 140 mm
Weight 8.8 lbs / 4 kg
Finish: Black satin / White satin

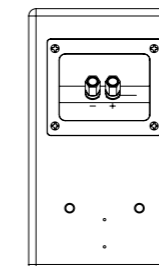
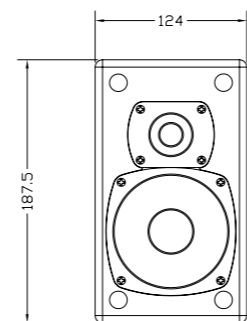


M5 Speaker

For smaller spaces or installations where high sound pressure levels and the full weight and power of the M7 or MP7 are not required, M&K Sound offers the smaller M5 speaker. Based on the same advanced proprietary crossover and driver technologies as the taller M7 and MP7, the M5 speaker utilizes a single 4" bass/midrange unit with cast basket to achieve sound quality, accurate imaging and detail identical to its larger siblings, but not quite the same high output levels.

The M5 produces an accuracy, tonal balance and clarity of sound far beyond ordinary speakers of comparable price and size.

Impedance: 4 ohm
Recommended Amplifier Power: 25 – 125 watt
Bass-Midrange: 4" Coated texture taper
High Frequency Drivers: 1" Neodymium Soft fabric dome
Frequency-response: 100 - 20KHz +/- 3 dB
Sensitivity: 85dB, 2,83V1m
Dimensions HxWxD: 7.3 x 4.8 x 5.5" / 186 x 124 x 140 mm
Weight: 4.8 lbs / 2.2 Kg
Finish: Black satin / White satin

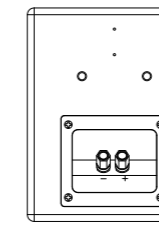
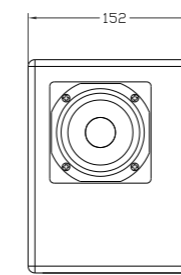
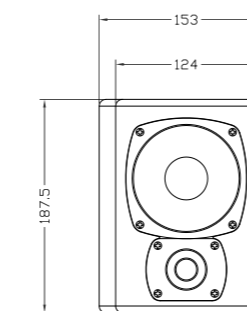


M4T Tripole® Speaker

The M4T Tripole® is the multi-polar side and rear channel speaker voice-matched for the M Series speakers, providing the benefits of exclusive M&K Sound Tripole® technology in a remarkably compact and affordable package.

Combining a direct-radiator speaker (front-mounted drivers) with a dipole speaker (side-mounted drivers) in the same cabinet and utilizing M&K Sound's proprietary Phase-Focused Crossover, the M4T Tripole® design provides extraordinarily even dispersion of sound throughout the room across a broad listening area with superior imaging and sound quality.

Impedance: 4 ohm
Recommended Amplifier Power: 25 – 125 watt
Bass-Midrange: 4" Coated texture taper
High Frequency Drivers: 1" Neodymium Soft fabric dome
Side drivers: 2 x 3" Coated texture taper
Frequency-response: 100 - 20KHz +/- 3 dB
Sensitivity: 85dB, 2,83V1m
Dimensions rear HxWxD: 7.3 x 6.1 x 5.9" / 186 x 155 x 150 mm
Dimensions front HxWxD: 7.3 x 4.7 x 5.9" / 186 x 120 x 150 mm
Weight: 6.5 lbs / 2.9 Kg
Finish: Black satin / White satin



M Series



MP7 On-Wall Speaker

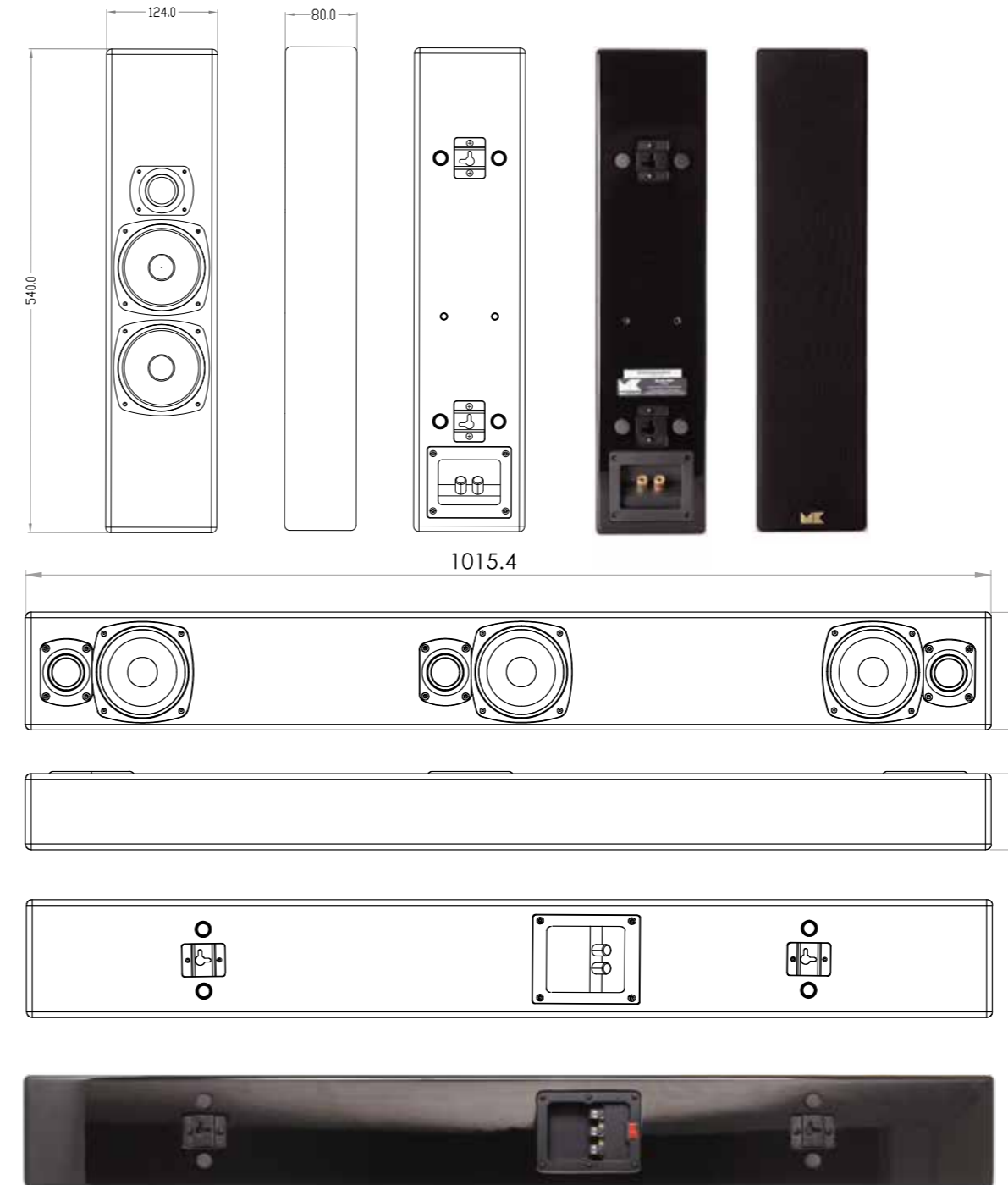
Essentially a half-depth, wall-mount version of the popular M7, the MP7 On-Wall speaker offers the attractive option of extremely shallow cabinet depth for décor-friendly, discrete On-Wall placement to bring vastly improved sound to any flatscreen TV. MP7 is designed specifically for direct On-Wall mounting and is fitted with integral rear panel brackets, along with specially designed damping pads to ensure easy and vibration-free installation.

Impedance: 4 ohm
 Recommended Amplifier Power: 25-200W
 Bass-Midrange: 2 x 4" Coated texture taper
 High Frequency Drivers: 1" Neodymium soft dome tweeter
 Frequency-response: 80 – 20KHz +/- 3dB
 Sensitivity: 88dB, 2,83V1m
 Dimensions HxWxD: 21.2 x 4.8 x 3.1" / 540 x 124 x 80 mm
 Weight 9.2 lbs / 4.2 Kg
 Finish: Black satin / White satin

MP9 On-Wall Soundbar Speaker

Precision engineered and stylishly crafted, MP9 integrates three completely independent two-way speakers in a single enclosure designed for all-in-one front or rear left/center/right coverage in a potent, yet elegantly unobtrusive surround system. MP9 essentially consists of three M5 speakers assembled in a single low-profile enclosure. The MP9 soundbar is designed specifically for direct On-Wall mounting and is fitted with integral rear panel brackets, along with specially designed damping pads to ensure easy and vibration-free installation. For quick and ease of installation the speaker terminal are removable for easy and speedy wire connection.

Impedance: 4 ohm (each LCR channel)
 Recommended Amplifier Power 25-125W (each LCR channel)
 Bass-Midrange:4" Coated texture taper (each LCR channel)
 High Frequency Drivers: . . . 1" Neodymium soft dome tweeter (each LCR channel)
 Frequency-response: 80 – 20KHz +/- 3dB
 Sensitivity: 85dB, 2,83V1m (each LCR channel)
 Dimensions HxWxD: 4.8 x 39.9 x 2.9" / 123 x 1015 x 75 mm
 Weight 19.8 lbs / 9 kg
 Finish: Black satin / White satin



M Series

Photo
Coming
Soon

MPS2520P Studio Monitor **New Edition**

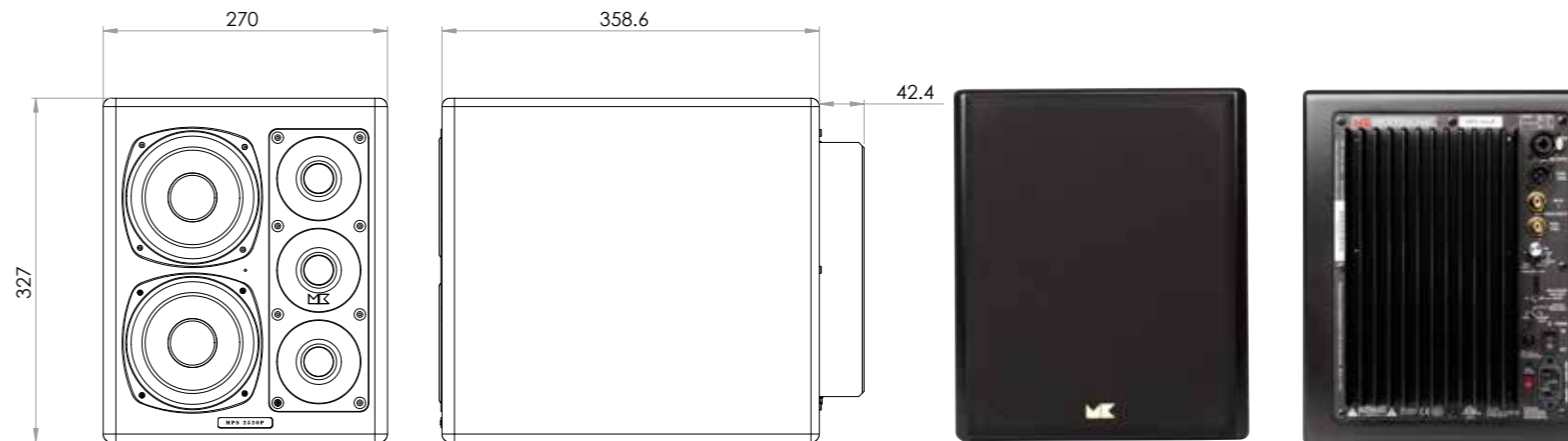
The MPS2520P studio monitor are featured with a total of 5 loudspeaker units providing impressive sound impact in an ultra-compact format.

The dual channel power amplifiers drive the bass-midrange and high frequency sections with great precision and full control of signal dynamics.

The 5.25" bass-midrange drivers are tuned for sealed box with 0.707 box Q to provide an absolute optimal system step response control. Combined with triple stacked tweeters operating down to 1.2Khz, makes the MPS2520P sound response become fast and sharp, with superior qualities to control reference recordings, editing, processing, and master mixing for music and movie productions.

MPS2520P are designed for easy system setup using the build in high pass filter for smooth integration with M&K subwoofers.

Amplifier power bass-midrange: 200watt RMS/400watt peak
 Amplifier power high frequency: 180watt RMS/360watt peak
 Bass-midrange: 2 x 5.25 Glassfibre
 High frequency drivers: 3 x 1,1" soft fabric dome
 Frequency response: 80-12KHz +/-1dB / 12-20KHz +/-2dB
 Total Harmonic distortion: <0.002% into 4 ohms LF Channel /
 0.03% into 4 ohms HF channel
 Signal to noise ratio: 100dB
 AC power consumption: Standby/Average/Max 17W, 45W, 360W
 AC line voltage: 115VAC/60Hz 5A - 230VAC/60Hz 3.15A
 Input impedance unbalanced 11Kohm / balanced 22Kohm
 Input sensitivity unbalanced 1 00mV 90dB 1m / balanced 200mV 90dB 1m
 Max output level: 110dB/100Hz
 Max input: 24dBu balanced
 High pass filter: Fixed 80 Hz (24dB)
 Vertical directivity control: Wide/Narrow – 50/30 Deg.
 Dimensions HxWxD: 12.8 x 10.6 x 15.8" / 327 x 270 x 401 mm
 Weight: 39.6 lbs / 18 kg
 Finish: Black satin



MPS1620P Studio Monitor **New Edition**

The MPS 1620P studio monitor feature a long stroke 6.5" driver and a low compression 1" dome tweeter to provide impressive sound impact for high resolution "sound productions"

The dual channel power amplifiers drive the bass-midrange and high frequency sections with great precision and full control of signal dynamics.

The MPS1620P can operate both as a sealed or a ported loudspeaker due to the removable "port plug system" at the rear side of speaker.

When operating with subwoofer, the choice of sealed box configuration and filter set to "normal" will provide the classic M&K Sound sub/sat crossover configuration, while when using the MPS1620P as a stand-alone monitor, the ported configuration with filter set to "full-range" will extend bass response and provider precise "broad band" response for near field monitor applications.

MPS1620P is a flexible high precision studio monitor to use for reference recordings, editing, processing, and master mixing for music and movie productions.

Amplifier power bass-midrange: 100watt RMS/200watt peak
 Amplifier power high frequency: 50watt RMS/100watt peak
 Bass-midrange: 1 x 6,5" polypropylene woofer
 High frequency drivers: 1 x 1" soft dome tweeter
 Frequency response: Sealed/normal setting 80-22KHz +/-2dB
 Frequency response: Sealed/full range setting/
 (wall or console loaded) 45-22KHz +/-2dB
 Frequency response: Ported/normal setting 45-22KHz +/-2dB
 Frequency response: Ported/full range setting/
 (wall or console loaded) 35-22KHz +/-2dB
 Total Harmonic distortion: < 0,025% into 8 ohms LF channel/
 < 0.025% into 4 ohms HF channel
 Signal to noise ratio: 100 dB
 AC power consumption: Standby/Average/Max (15W, 30W, 240W)
 AC line voltage: 115VAC/60Hz 2A – 230VAC/50Hz 1A
 Input impedance. unbalanced 11kohm / balanced 22Kohm
 Input sensitivity unbalanced 100mV 88dB 1m / balanced 200mV 88dB 1m
 Max output level: 106dB/100Hz
 Max input: 24dBu balanced
 High pass filter: Fixed 80 Hz (24dB)
 Dimensions HxWxD: 12.6 x 8.3 x 11.6" / 321 x 213 x 297 mm
 Weight: 20.3 lbs / 9,2 kg
 Finish: Black satin

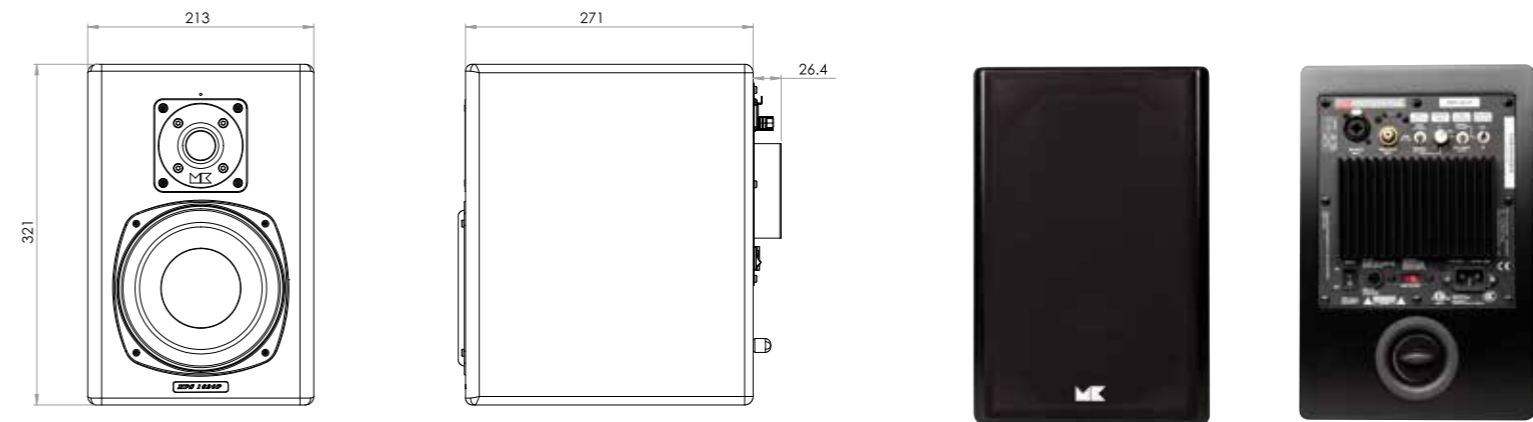


Photo
Coming
Soon

PRO
Series



X12 Subwoofer **THX** ULTRA 2

Featured with dual Push Pull coupled long stroke 12" drivers in sealed enclosure.

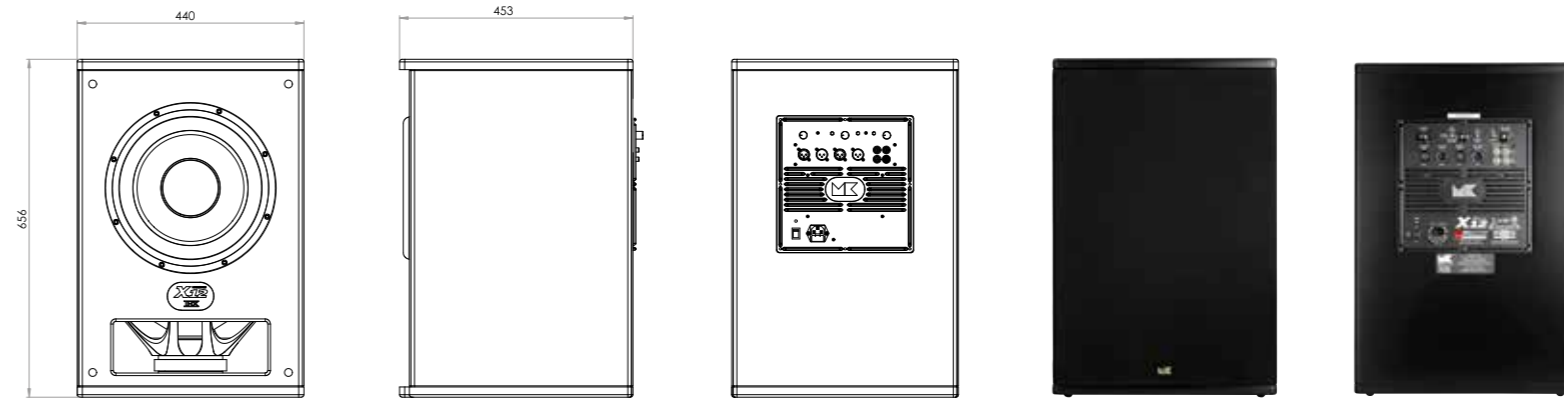
Combining digital switch mode power section of 400 watt RMS, with M&K proprietary analog "front-end" input stage, all designed for the legendary M&K Sound bass extension.

The M&K X12 subwoofer offer Ultra low distortion and the highest dynamic performance, as using "dual Push Pull coupled drivers" providing a total surface area most equivalent to a single 18" driver.



X12 is rewarded with "reference status" for music and movie production, and Home Theater applications.

Amplifier Power	400 Watts RMS / 700 Watts Peak
Frequency Response	20 - 200 Hz +/- 2 dB
Total Harmonic Distortion	< 0.5%, 400 Watts, 4 Ohm
AC Power Consumption	0.5W standby, 60W average, 500W max.
AC Line Voltage	100-230 VAC 50/60 Hz 5A
LFE Input	L/R Line level RCA & L/R XLR balanced
LFE Passthrough Output	L/R Line level RCA & L/R XLR balanced
Switchable Lowpass Filters	Fixed 80 Hz / Variable / No lowpass
Phase	0-180 degrees, continuously variable
Volume control	Continuously variable / Fixed THX
Switchable LFE	Optional THX or MK EQ mode
Dimensions HxWxD	25,8 x 17,3 x 17,8" / 656 x 440 x 453 mm
Weight	79.3 lbs / 36 kg
Finish	Black satin



X10 Subwoofer **THX** SELECT 2

Featured with dual Push Pull coupled long stroke 10" drivers in sealed enclosure.

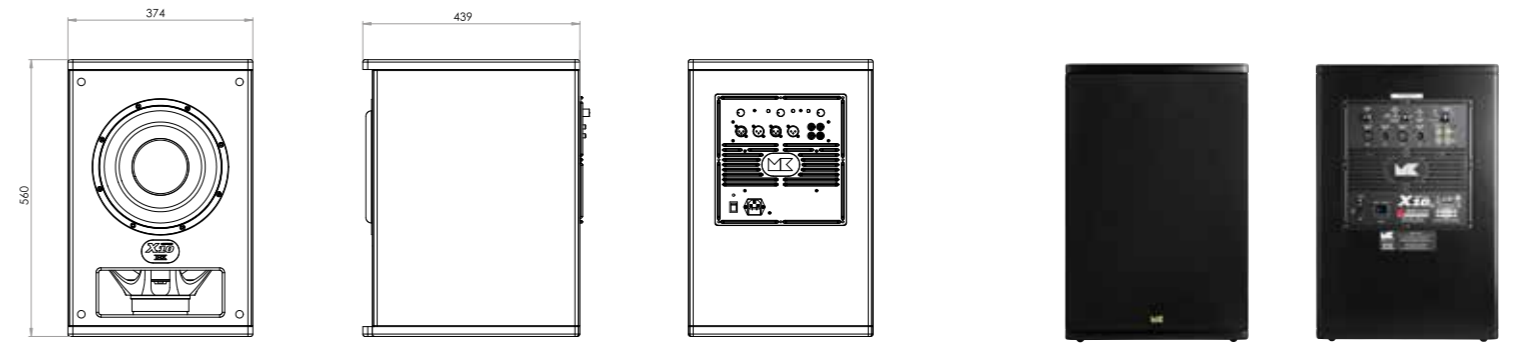
Combining digital switch mode power section of 350 watt RMS, with M&K proprietary analog "front-end" input stage, all designed for the legendary M&K Sound bass extension.

The M&K X10 subwoofer offer very low distortion and high dynamic performance, as using "dual Push Pull coupled drivers" providing a total surface area most equivalent to a single 15" driver.



X10 is multiple rewarded for high quality performance in music and movie production, and Home Theater applications.

Amplifier Power	350 Watts RMS / 650 Watts Peak
Frequency Response	20 - 200 Hz +/- 2 dB
Total Harmonic Distortion	< 0.5%, 350 Watts, 4 Ohm
AC Power Consumption	0.5W standby, 55W average, 450W max.
AC Line Voltage	100-230 VAC 50/60 Hz 5A
LFE Input	L/R Line level RCA & L/R XLR balanced
LFE Passthrough Output	L/R Line level RCA & L/R XLR balanced
Switchable Lowpass Filters	Fixed 80 Hz / Variable / No lowpass
Phase	0-180 degrees, continuously variable
Volume control	Continuously variable / Fixed THX
Switchable LFE	Optional THX or MK EQ mode
Dimensions HxWxD	22 x 14,7 x 17,3" / 560 x 374 x 439 mm
Weight	61.7 lbs / 28 kg
Finish	Black satin



X8 Subwoofer

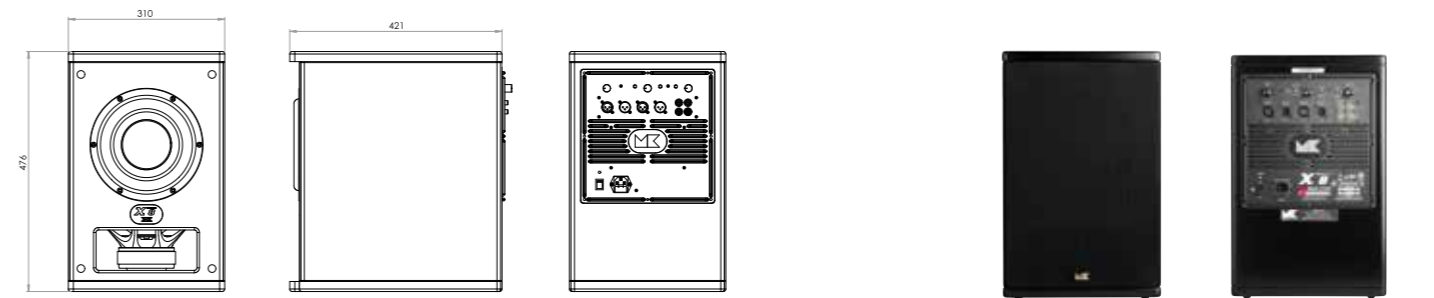
Featured with dual Push Pull coupled long stroke 8" drivers in sealed enclosure.

Combining digital switch mode power section of 300 watt RMS, with M&K proprietary analog "front-end" input stage, all designed for the legendary M&K Sound bass extension.



The M&K X8 subwoofer offer the Push Pull technology in a compact size, performing with remarkable low distortion and extended dynamic range. The Push Pull coupled 8" drivers" provide a total surface area most equivalent to a single 12" driver.

Amplifier Power	300 Watts RMS / 600 Watts Peak
Frequency Response	20 - 200 Hz +/- 2 dB
Total Harmonic Distortion	< 0.5%, 300 Watts, 4 Ohm
AC Power Consumption	0.5W standby, 50W average, 400W max.
AC Line Voltage	100-230 VAC 50/60 Hz 5A
LFE Input	L/R Line level RCA & L/R XLR balanced
LFE Passthrough Output	L/R Line level RCA & L/R XLR balanced
Switchable Lowpass Filters	Fixed 80 Hz / Variable / No lowpass
Phase	0-180 degrees, continuously variable
Volume control	Continuously variable / Fixed
Switchable LFE	Optional THX or MK EQ mode
Dimensions HxWxD	18,7 x 12,2 x 16,6" / 476 x 310 x 421 mm
Weight	48.5 lbs / 22 kg
Finish	Black satin



X Series



V12 Compact Subwoofer

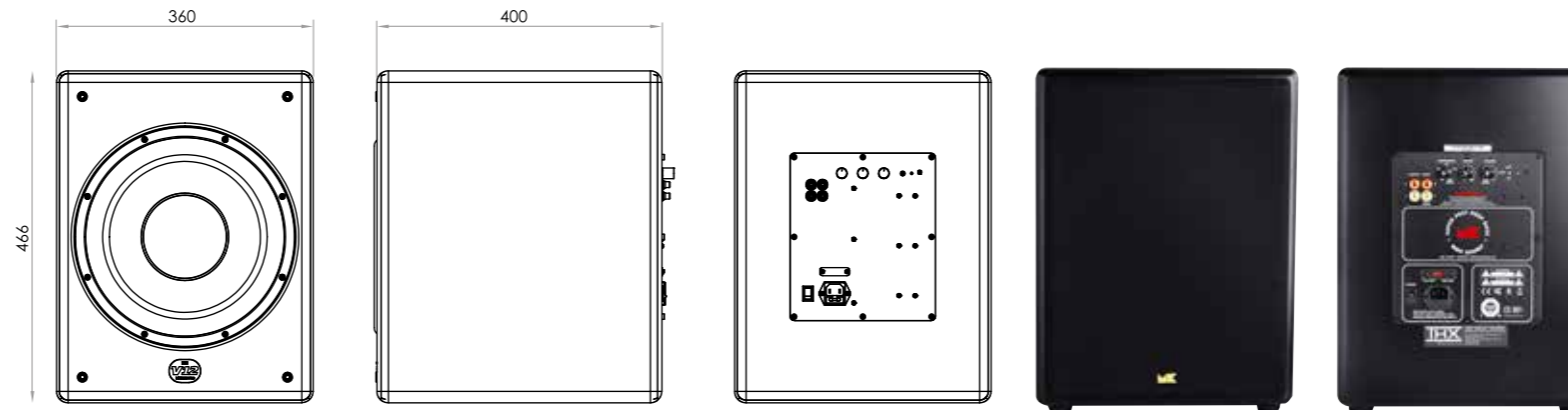


Featured with single 12" driver in sealed enclosure, combining digital switch mode power section of 300 watt RMS, with M&K proprietary analog "front-end" input stage designed for the legendary M&K Sound bass extension.

The M&K V12 subwoofer carry THX Select 2 certification resulting in ultra low distortion and high dynamic performance in a compact format.



Amplifier power 300 watt RMS /500 watt peak
 Frequency response 20-200Hz +/- 2dB
 Total harmonic distortion >0.5% 300 watt, 4 ohm
 AC power consumption Standby/Average/Max 0,5/50/300W
 AC Line Voltage 100-240 VAC 50/60Hz 6.3A
 LFE Input. L/R line level RCA
 LFE Passthrough output L/R line level RCA
 Low pass filter. 60–200 Hz Continuously variable, No low pass THX mode
 Phase 0-180 deg : Continuously variable
 Volume Continuously variable / Fixed THX
 Dimensions HxWxD 18,3" x 14,1" x 15,7" / 466 x 360 x 400 mm
 Weight 48,5 lbs / 22,0 kg
 Finish Black satin / White satin



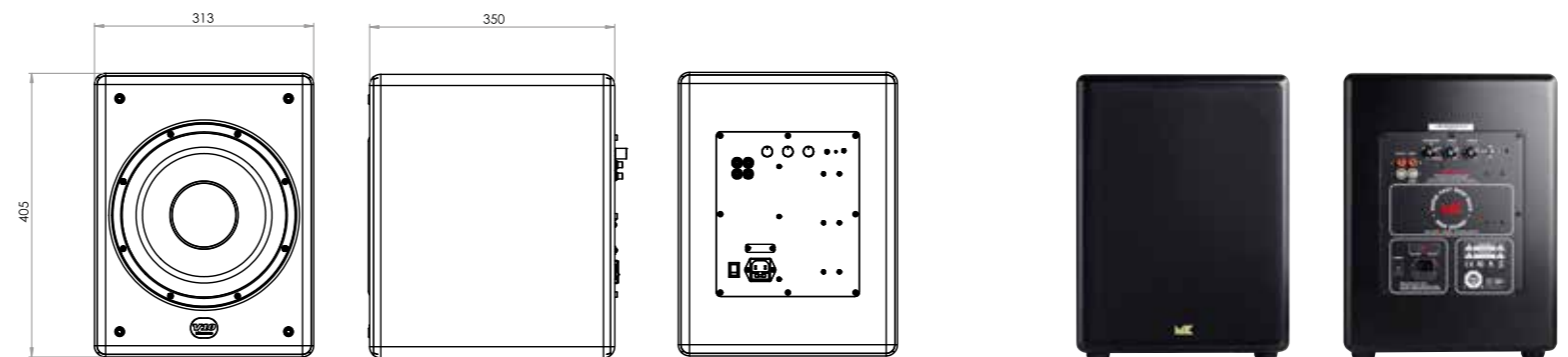
V10 Compact Subwoofer

Featured with single 10" driver in sealed enclosure, combining digital switch mode power section of 200 watt RMS, with M&K proprietary analog "front-end" input stage designed for the legendary M&K Sound bass extension.

The M&K V10 subwoofer delivers low distortion and high dynamic performance in a very compact format.



Amplifier power 200 watt RMS /350 watt peak
 Frequency response 25-200Hz +/- 2dB
 Total harmonic distortion >0.5% 200 watt, 4 ohm
 AC power consumption Standby/Average/Max 0,5/40/200W
 AC Line Voltage 100-240 VAC 50/60Hz 4A
 LFE Input. L/R line level RCA
 LFE Passthrough output L/R line level RCA
 Low pass filter. 60–200 Hz Continuously variable
 Phase 0-180 deg : Continuously variable
 Volume Continuously variable
 Dimensions HxWxD 15,9" x 12,4" x 13,7" / 405 x 313 x 350 mm
 Weight 39,7 lbs / 18,0 kg
 Finish Black satin / White satin



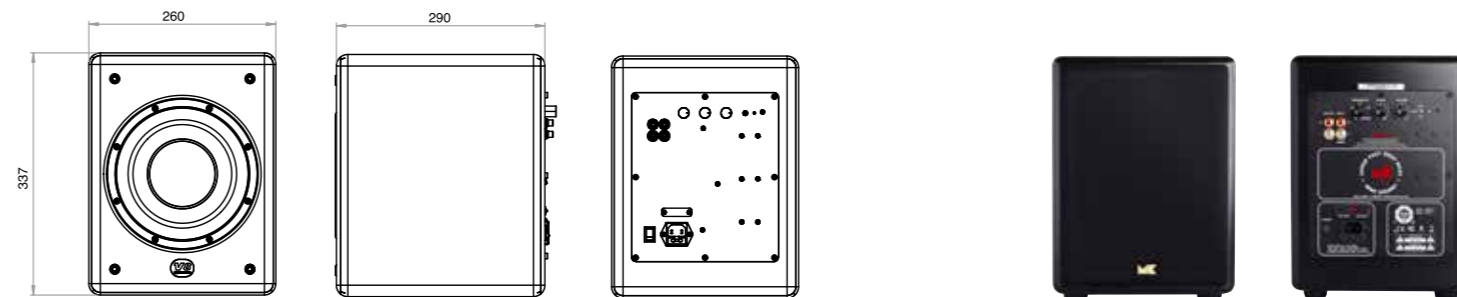
V8 Compact Subwoofer

Featured with single 8" driver in sealed enclosure, combining digital switch mode power section of 150 watt RMS, with M&K proprietary analog "front-end" input stage designed for the legendary M&K Sound bass extension.

The M&K V8 subwoofer delivers low distortion and high dynamic performance in a ultra compact format.



Frequency response 30-200Hz +/- 2dB
 Total harmonic distortion >0.5% 150 watt, 4 ohm
 AC power consumption Standby/Average/Max 0,5/30/150W
 AC Line Voltage 100-240 VAC 50/60Hz 3,15A
 LFE Input. L/R line level RCA
 LFE Passthrough output L/R line level RCA
 Low pass filter. 60–200 Hz Continuously variable
 Phase 0-180 deg : Continuously variable
 Volume Continuously variable
 Dimensions HxWxD 13,3" x 10,3" x 11,4" / 337 x 260 x 290 mm
 Weight 24,3 lbs / 11,0 kg
 Finish Black satin / White satin

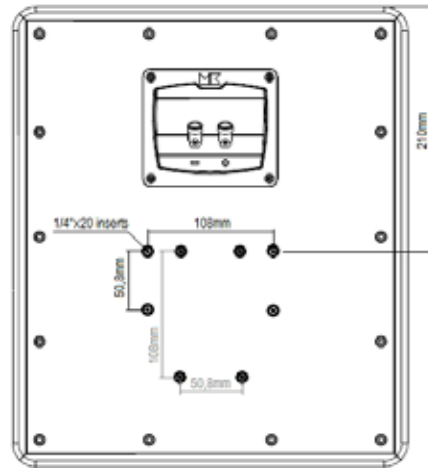


V Series

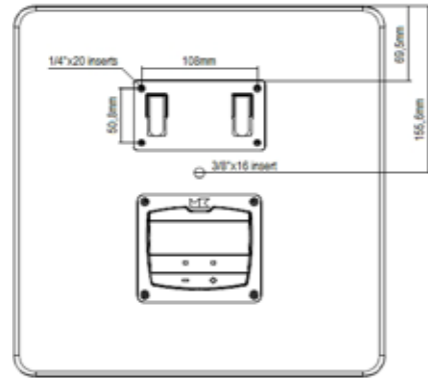


Rear panels - dimensions for brackets

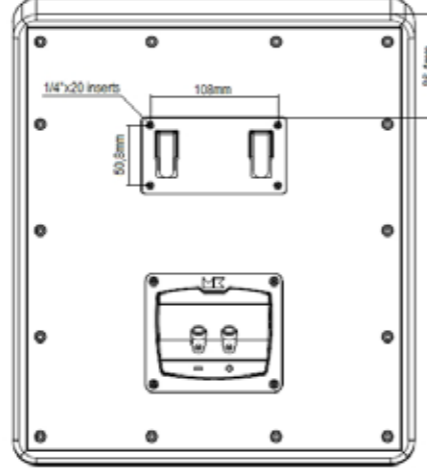
S300



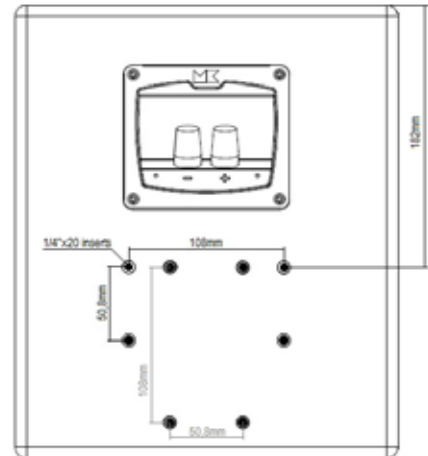
S300T



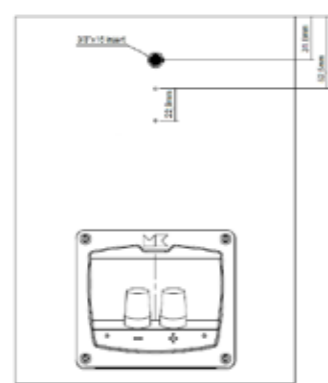
MP300



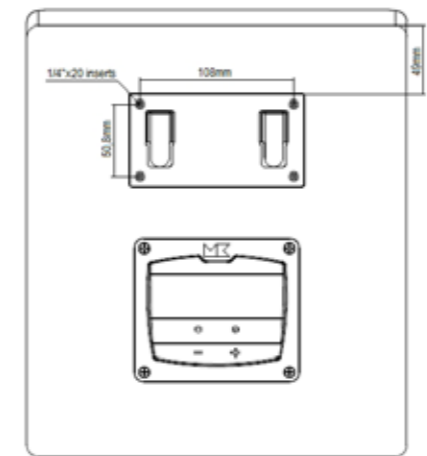
S150II



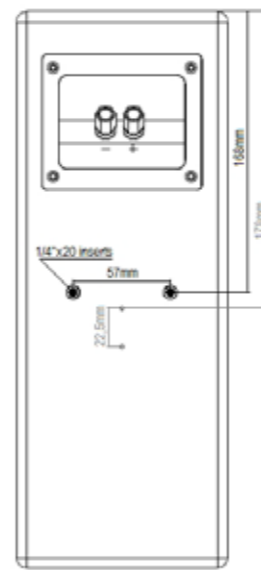
S150T



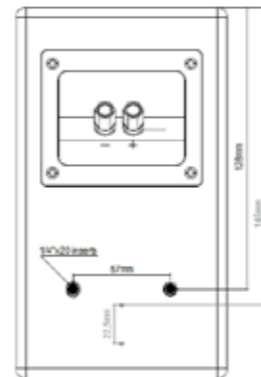
MP150II



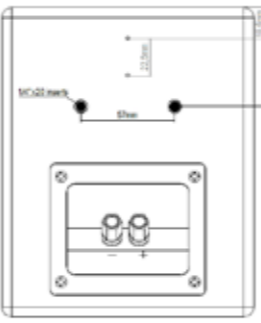
M7



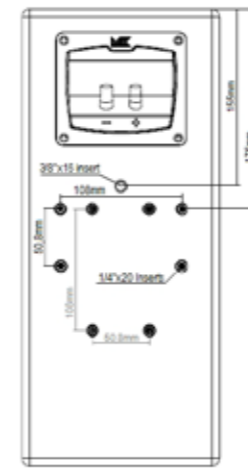
M5



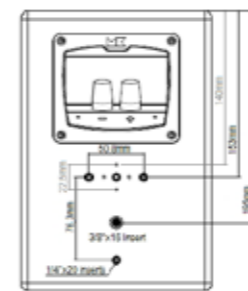
M4T



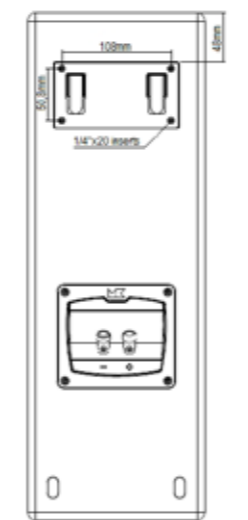
950LCR



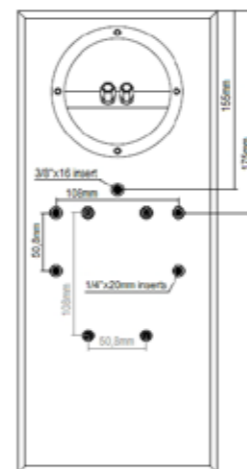
95T



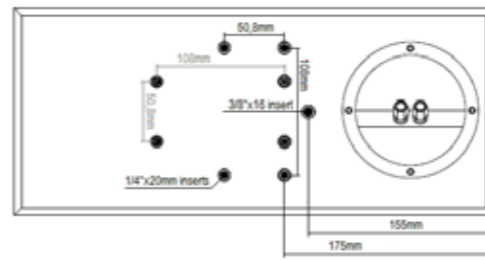
MP950



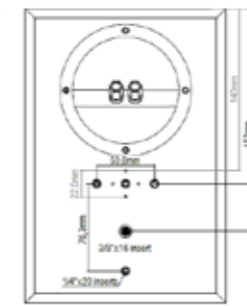
750LCR



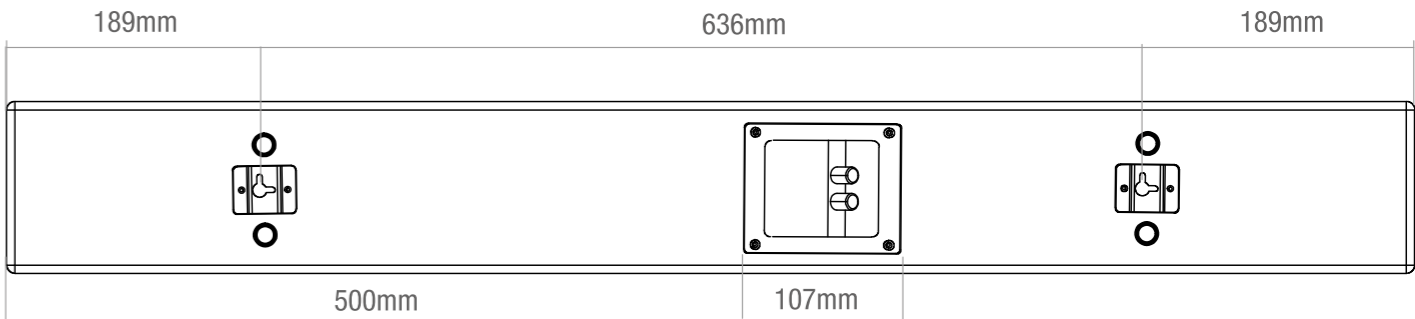
750C



55T



MP9



MP7

