

HELIOS

by *DreamVision*

HELIOS SERIES

3000 LUMENS - LASER - 4K HOME-CINEMA PROJECTORS



4K
UHD

When Fashion meets Performances

Since 1996, *DreamVision*, in the shadow of the world-famous Montmartre hill in Paris, has been developing and refining the latest advancements in digital display technology in order to provide state-of-the-art video products for Home Cinema. Today, *DreamVision* is a highly respected, global brand in high-performance video.

The projector's ultra-stylish chassis was created by the famed French designer, *Antoine Beon*, also known by the *DreamVision* fans for his work with the Siglos and DreamBee Series. A contemporary work of art, The HELIOS comes standard in black or white, and can be ordered with any custom RAL paint.



The stylish HELIOS in red Ferrari.

Raising the standards of picture quality

The newly developed three-chip system is based on a trio of DCI-4K panels at a native resolution of 4096x2160 pixels with an incredible contrast ratio. The HELIOS is also certified as *THX 4K display*. This certification is to identify displays that possess the means to faithfully reproduce video as it was intended to appear by the director, not only 2K resolution but also 4K. Qualifying displays must clear over 400 strict tests of image quality, such as color accuracy, video post-processing and brightness. Satisfying all of these criteria earns the distinction of being truly top class and of the highest quality products.



3000 ANSI Lumens and infinite contrast ratio projector

This extremely bright light output of 3,000 lumens is obtained by stacking 3 powerful laser modules, coupled with a high-end optical lens F/2.4. By finely controlling the light power with the Smart Laser Power Level Management (SLPLM™), the Force 4K is capable of producing highly contrasted images and yet extremely bright.



The laser light source is organised in three banks of 8 LEDs each.

20,000 hours of peace of mind

Our original design makes an innovative use of inorganic, non-spinning laser LEDs organized on 3 banks, making the light source naturally redundant and more durable. Additionally, the system lifetime is at least 20,000 hours, making logistic and operational costs involved ridiculously low, The lamp failure stress is relegated to a bad souvenir.

Bright and sharp enough for extra-large screens

Because our Laser light source is 10 times more efficient and more powerful than classic LED lights, the HELIOS produces a stunning image, powerful enough to fill screens up to 5m50 wide at THX highest standards and still having some room to go even larger.

Going with very large screens would be meaningless if the picture were to be dull and flat. This is why we use 4K panels with a native resolution of 4096 x 2160 pixels. The use of laser light is also benefitting the picture quality. The picture is even sharper, the colors are purer.



The HELIOS can easily be installed in bright living rooms.

Improved installation precision and versatility

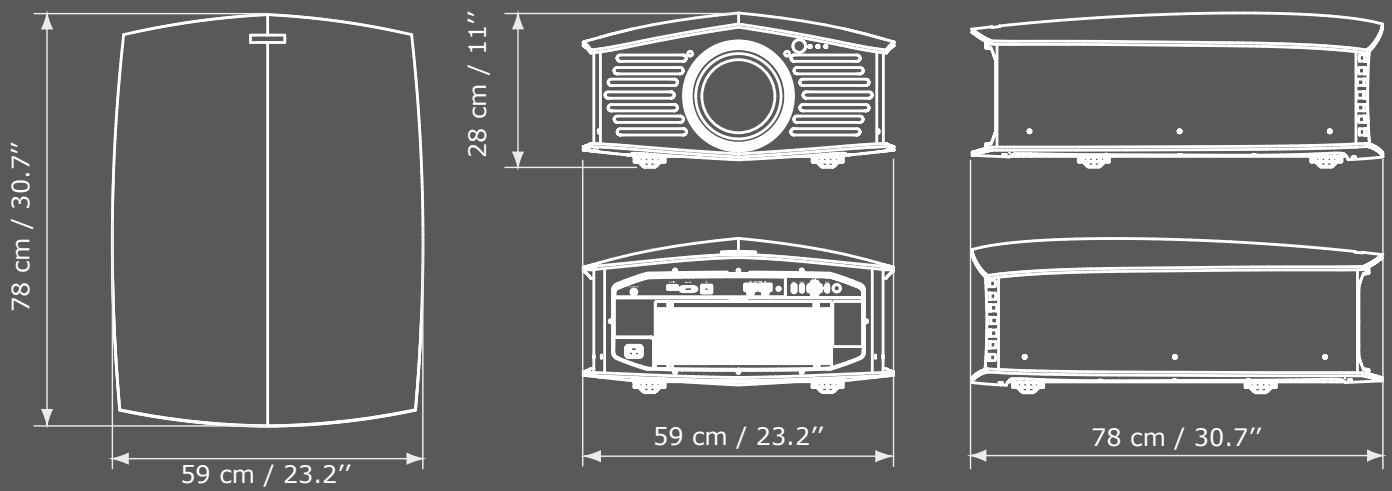
Thanks to the high precision motorization of the lens the precision has been increased by 4 times and the optical shift range has been greatly increased. Vertically up to 100% up or down, and horizontally 43% left or right. Additionally, the electronic 2x zoom of the high quality lens enables a vast choice of projection distance.

Larger color space and future proof

The HELIOS comes with color space presets precisely calibrated to most current standards such as BT.709 or DCI-P3. Also it is capable of covering more than 80% of BT.2020 color gamut. Not only the HELIOS supports the latest UHD recommendations such as Dolby-Vision, Perceptual Quantization gamma curves, but it also supports the future standards such as the Hybrid Log gamma for the future BBC and NHK broadcasts TV programs.



HDR contents can truly be experienced only on HDR compatible displays.



Model Version	HELIOS	
P/N	RZ201740	
Native Resolution	D-Cinema 4K- 4096 x 2160 pixels	
Aspect Ratios	19:10 (native), 16:9 (Full-HD), 2.39:1 (Cinemascope crop)	
Panel Technology	Three chip 0.69" LCoS panels	
Illumination	Brightness	3,000 ANSI Lumens (typical)
	Type	Laser Light Source modules
	Estimated Life	20,000 hours
Contrast Ratio	Infinite:1 (with SLPLM™)	
Noise	25 dB (in low LD power mode)	
Video Inputs	2x HDMI 2.0a with HDCP 2.2	
Output	1x mini-DIN 3 pins - VESA 3D syncro signal 1x 12V Trigger	
Control	1x RS-232 in 1x RJ-45 web interface(10/100 Mbps) 1x IR Remote control	
Video-Processing	4K MPC enhancement HDR with PQ gamma (HDR10) HDR with HLG (Hybrid Log Gamma, BBC & NHK) Smart Laser Power Level Management (SLPLM™) Low Latency mode (< 3 frames)	
Colors	BT.709, BT.2020 and Xenon color spaces	
Lenses	Optical Shift	Motorized (±100% vertically ±42% horizontally)
	Zoom	Motorized 2x Zoom 1.37:1 - 2.77:1
	Focus	Motorized
Options	Replacement Air Filter	RZ201741
	Replacement Sponge Filter	RZ201742
	Ceiling Mount	RZ201743
	3D RF dongle	R1048229
	Standard 3D Passive Kit	R1048225
	Ultimate 3D Passive Kit	R1048233
Power	100-240 VAC @ 50/60 Hz (6A max)	
Consumption	750 W max	
Dimensions (WxDxH)	59 x 78 x 28 cm (23.2 x 30.7 x 11.0 inches)	
Net Weight	45 Kg (99 lbs)	

These specifications may contain technical inaccuracies and may be changed without prior notice.