

Epur 3

This AV piece is designed to hold your TV set (plasma, LCD, CRT), as well as your complete home-theater system and possibly a central speaker.

The specific design of Epur 3 will provide an easy access to your equipment.

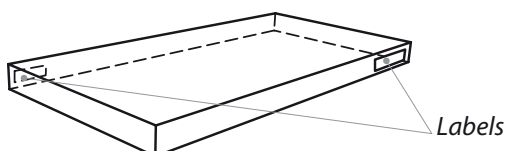
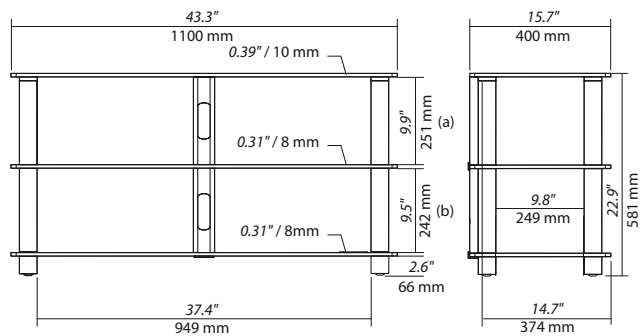
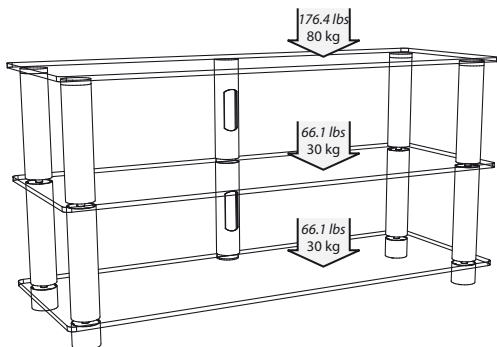
A good air flow ensures a perfect cooling of your electronics. Besides, the wire path is perfectly integrated.



In the same range:
Epur 4, Epur Stand



SPECIFICATIONS



DESIGN

Finish: *Satin/Clear*

Structure: Silver satin brushed steel finish

Shelves: Clear tempered glass

Miscellaneous: – Cable management system
– Ball-bearing feet

MAXIMUM LOAD

Upper shelf: 176.4 lbs / 80 kg

Internal shelves: 66.1 lbs / 30 kg

USABLE DIMENSIONS

Overall dimensions (W x H x D):

43.3" x 22.9" x 15.7" / 1100 x 581 x 400 mm

Upper shelf (W x D): 43.3" x 15.7" / 1100 x 400 mm

Internal shelves (W x D): 37.4" x 14.7" / 949 x 374 mm

Height between shelves: (a) 9.9" / 251 mm

(b) 9.5" / 242 mm

PACKAGING

Delivered disassembled with screws kit, mounting instructions and tools

Quantity/box: 1

Type: Brown cardboard

Dimensions (W x H x D):

46.9" x 4.9" x 19.3" / 1190 x 125 x 490 mm

Gross weight: 79.8 lbs / 36,2 kg

Net weight: 74.3 lbs / 33,7 kg

GenCode: 3760108801233