



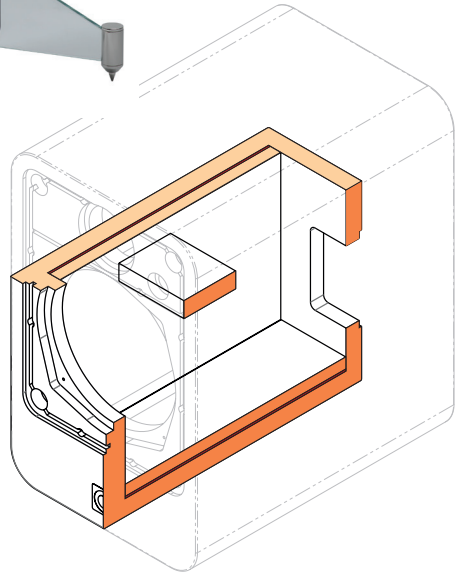
NEW



**What Hi-Fi?
Sound & Vision Advert**

The Concept 20

Once in a while, a product comes along that 'redefines the meaning of excellence'. That time is now. Q Acoustics is proud to introduce the new Concept 20 Loudspeaker.



The Concept 20 loudspeaker cabinet incorporates 'Gelcore Construction'[™]. In effect a 'cabinet within a cabinet', with a special resonance-cancelling compound adhering between the inner and outer shells. This cabinet is both rigid and exhibits extremely low resonance. The latter is achieved through the resonance-cancelling compound absorbing the kinetic energy (movement) generated within the cabinet by the drive units, then dispersing it by converting it into heat.

Q Acoustics Concept 20 Specifications:

Enclosure type:	2-way reflex
Bass Unit:	125mm
Treble Unit:	25mm
Frequency Response:	64Hz - 22kHz
Nominal Impedance:	6Ω
Minimum Impedance:	4Ω
Sensitivity:	88dB
Recommended Power:	25 - 75w
Crossover Frequency:	2.9kHz
Dimensions H/D/W mm:	260 x 280 x 170
Weight:	5.6kg

- QA2620Q CONCEPT 20 SPEAKER BLACK (PAIR)
- QA2120 Q CONCEPT 20 STAND BLACK (PAIR)
- QA2625Q CONCEPT 20 SPEAKER WHITE (PAIR)
- QA2125 Q CONCEPT 20 STAND WHITE (PAIR)

armourHOME